

[54] CUP

[75] Inventor: Tommy Thomas, Willowdale, Canada

[73] Assignee: Dart Industries, Inc., Los Angeles, Calif.

[**] Term: 14 Years

[21] Appl. No.: 749,140

[22] Filed: Dec. 9, 1976

[51] Int. Cl. D7-01

[52] U.S. Cl. D7/14; D9/220

[58] Field of Search D7/6, 14, 15; D9/220, D9/140, 141, 150, 154, 216; 229/1.5 B, 3.5 R

[56]

References Cited

U.S. PATENT DOCUMENTS

3,194,468	7/1965	Baron	229/1.5 B
3,437,253	4/1969	Davis et al.	229/1.5 B
3,443,715	5/1969	Edwards	D7/14 X
3,558,001	1/1971	Fritz et al.	D9/220 X

Primary Examiner—Robert C. Spangler
Attorney, Agent, or Firm—Kenneth J. Hovet

[57]

CLAIM

The ornamental design for a cup, substantially as shown.

DESCRIPTION

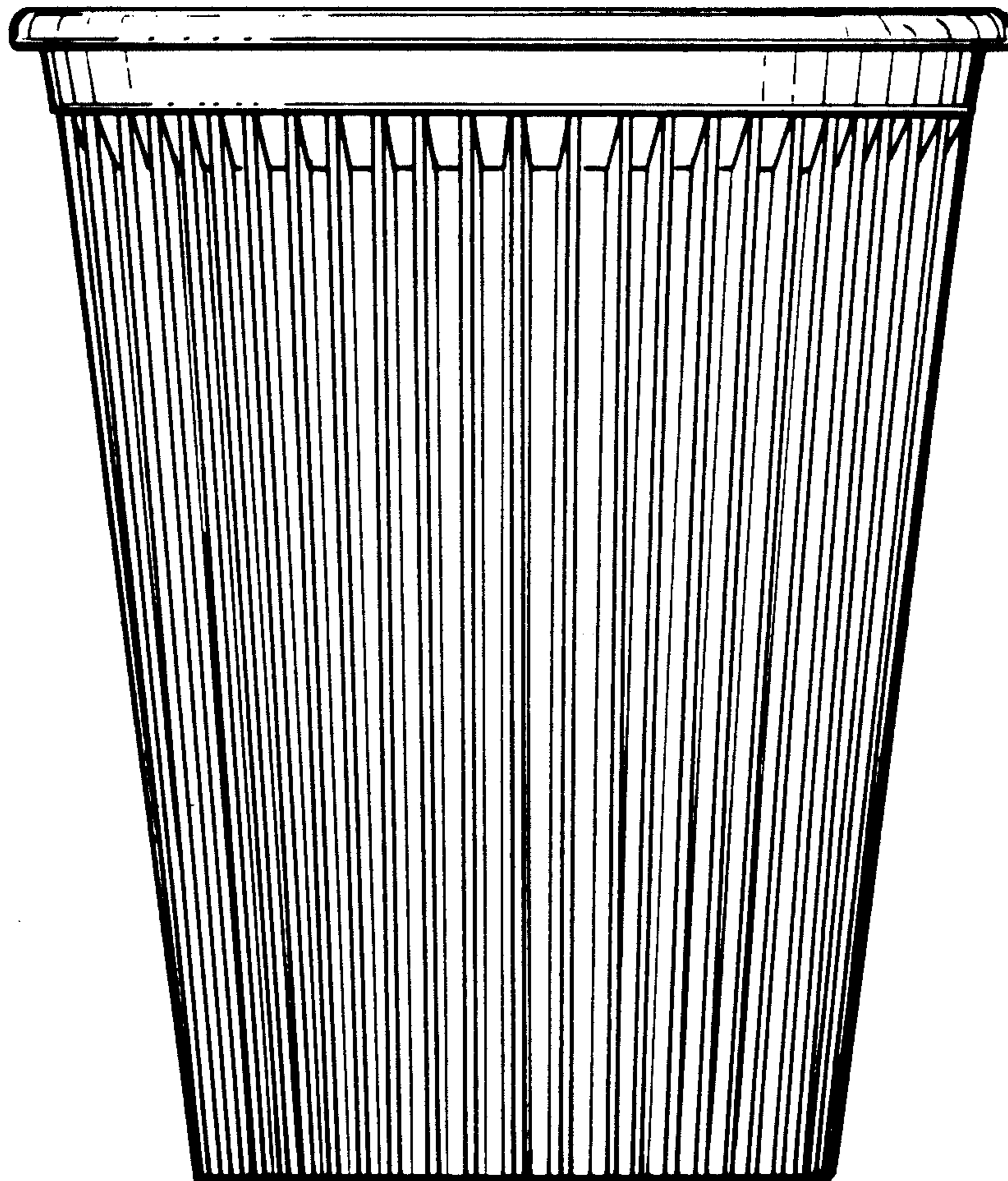
FIG. 1 is a perspective view of a cup showing my new design;

FIG. 2 is a side elevational view;

FIG. 3 is a top plan view;

FIG. 4 is a bottom plan view; and

FIG. 5 is an enlarged fragmentary sectional view taken on the line 5-5 of FIG. 3.



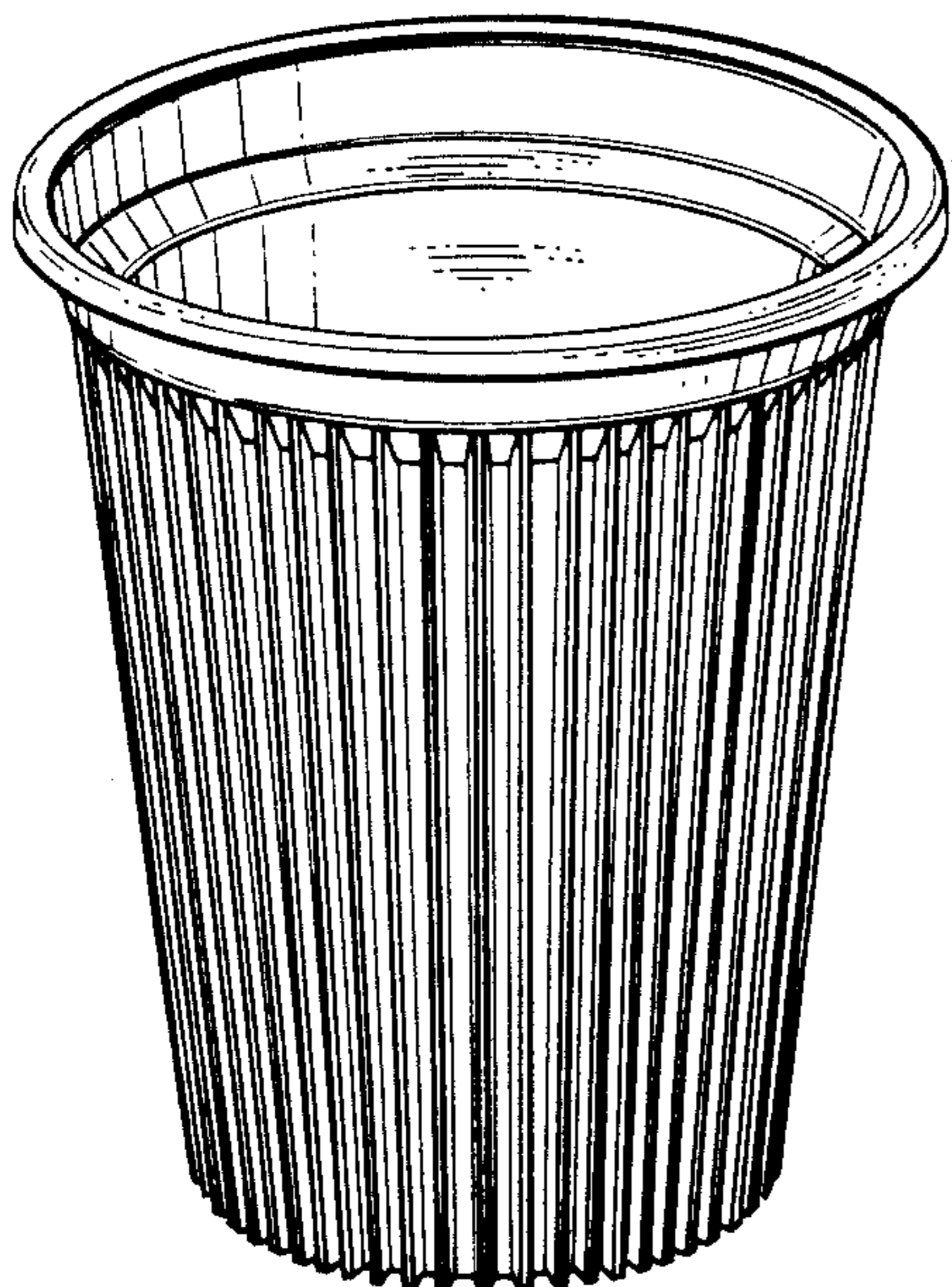


FIG. 1

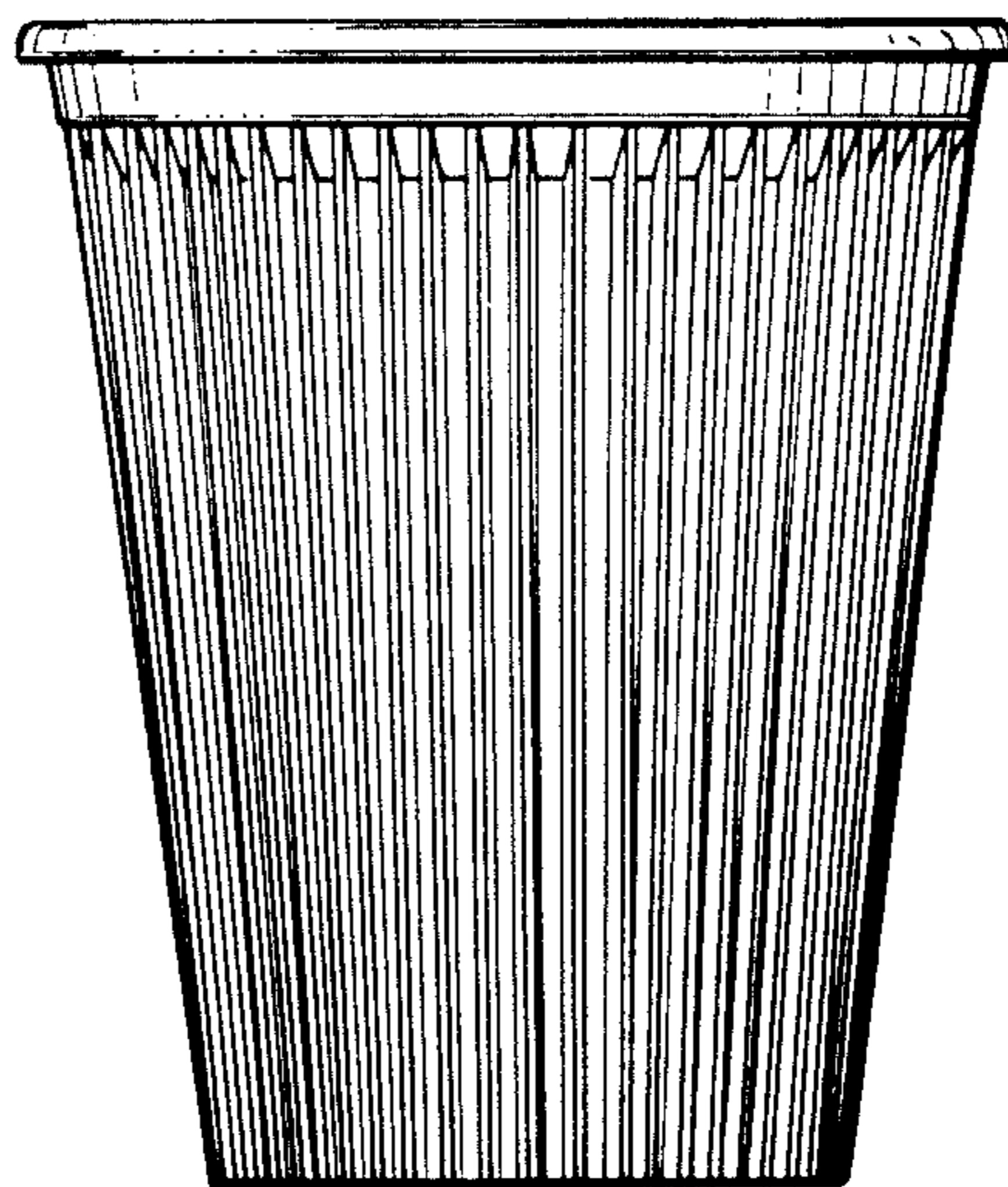


FIG. 2

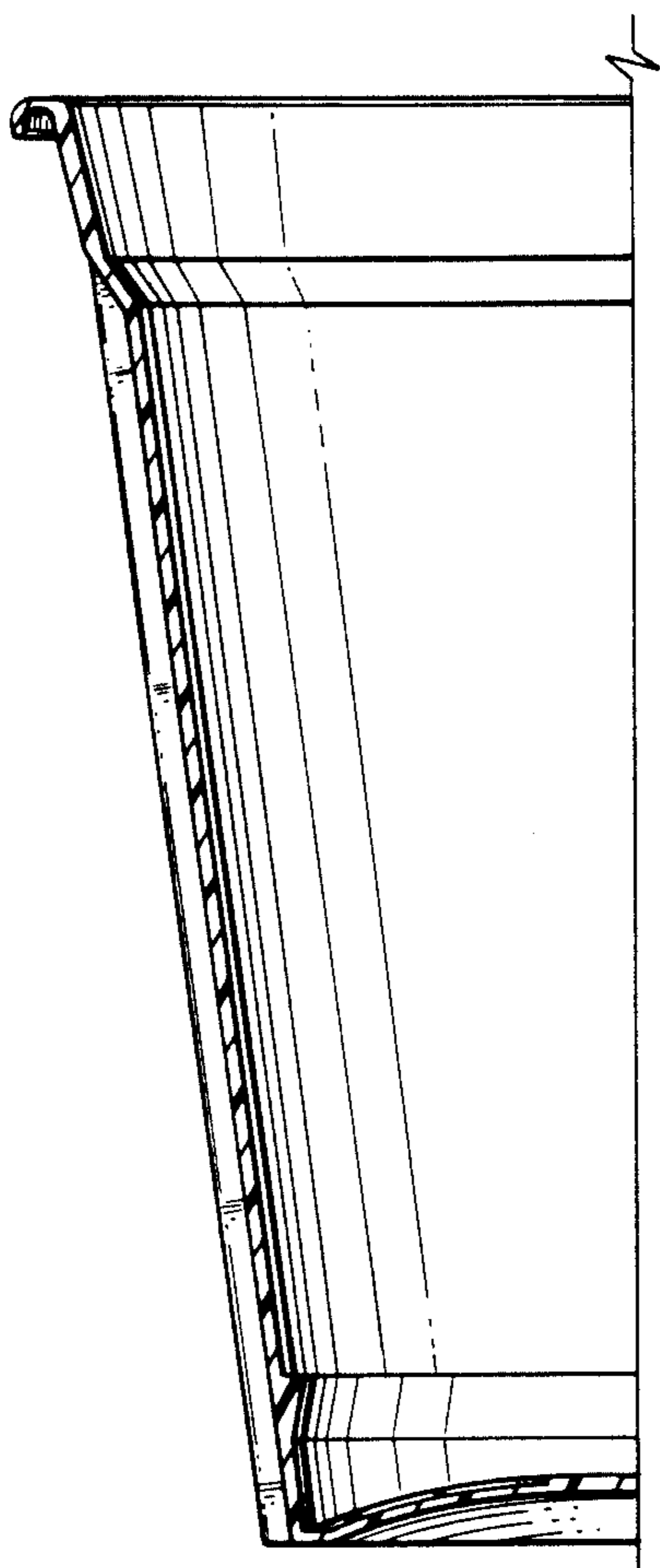


FIG. 5

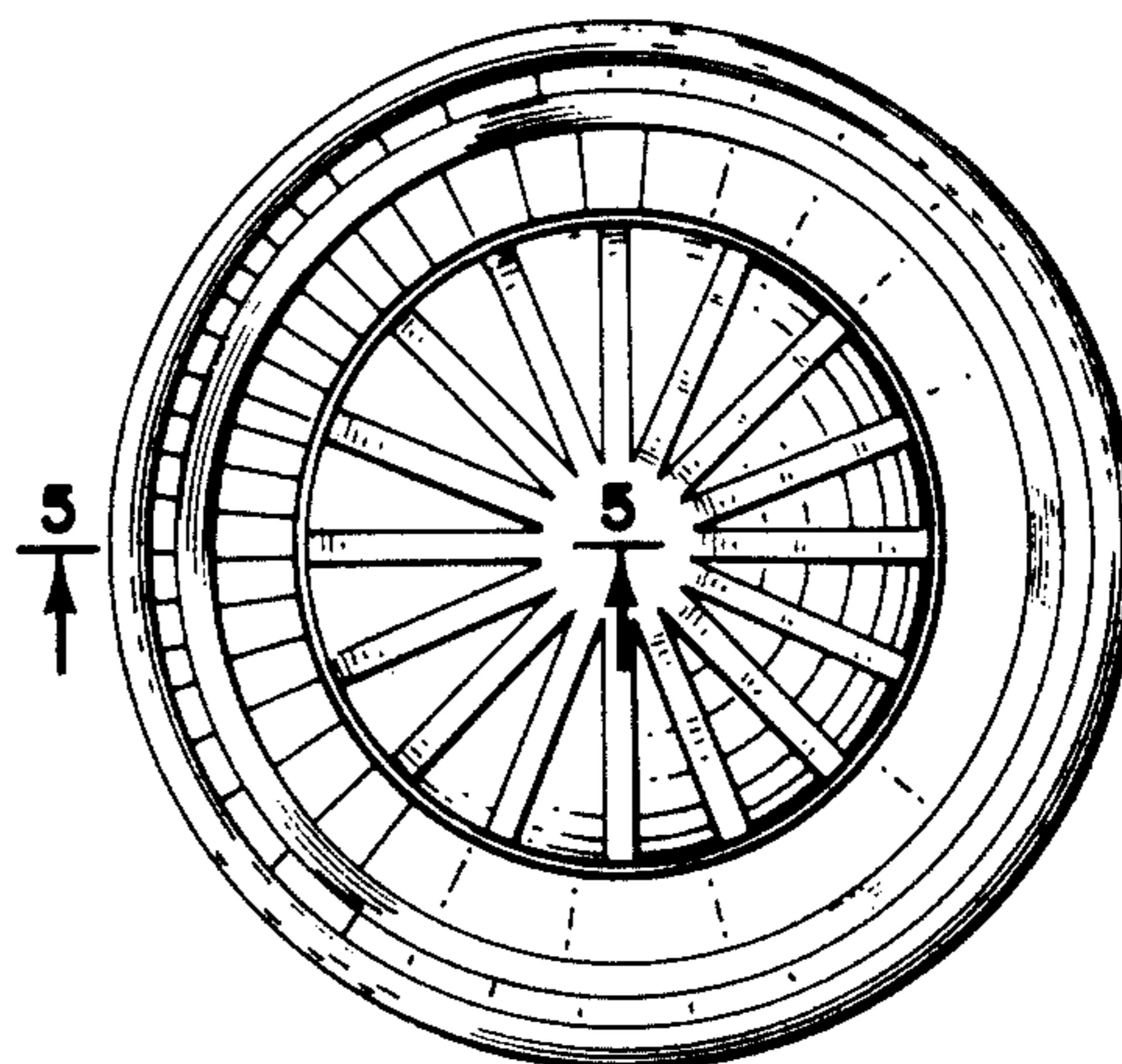


FIG. 3

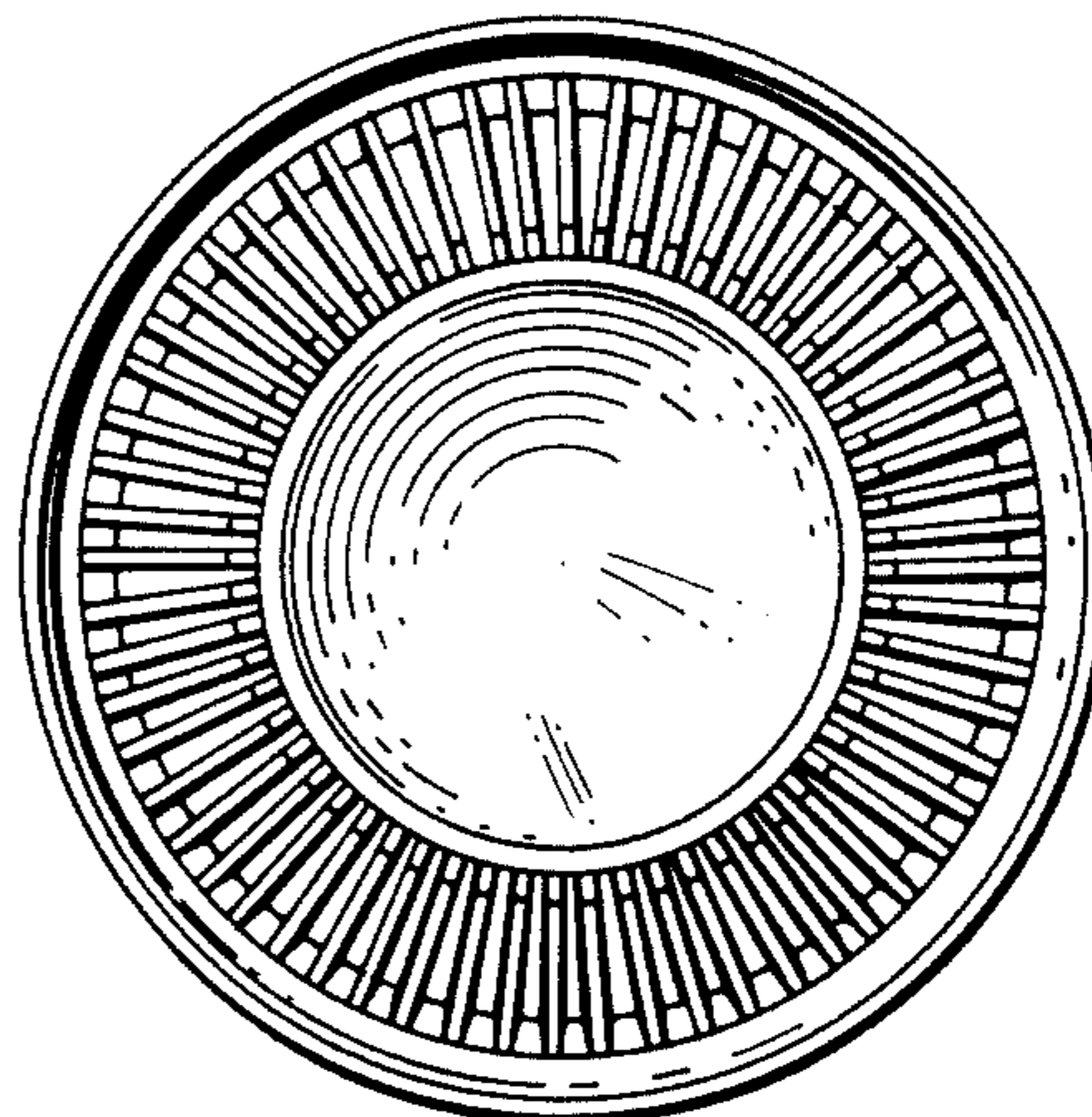


FIG. 4