

[54] **FURNITURE LEG POST**

[75] **Inventor:** Leif Blodee, Holland, Mich.

[73] **Assignee:** The Gunlocke Company, Inc.,
Wayland, N.Y.

[**] **Term:** 14 Years

[21] **Appl. No.:** 688,250

[22] **Filed:** May 20, 1976

Related U.S. Application Data

[62] Division of Ser. No. D. 484,806, Jul. 1, 1974, Pat. No.
D. 241,485.

[51] **Int. Cl.** D6-06

[52] **U.S. Cl.** D6/194

[58] **Field of Search** D6/145-149,
D6/156-166, 175-183, 194-196

[56]

References Cited

U.S. PATENT DOCUMENTS

D. 192,913 5/1962 Wilson D6/46
D. 222,777 12/1971 Fesler D6/196

OTHER PUBLICATIONS

"Trend Legs" brochure rec'd. 4-9-1965, sheet No. 1,
Leg in FIG. 2.

"Trend Legs" brochure rec'd. 4-9-1965, sheet No. 1,
Leg in FIG. 13.

Primary Examiner—Bruce W. Dunkins

Attorney, Agent, or Firm—Lorimer P. Brooks

[57]

CLAIM

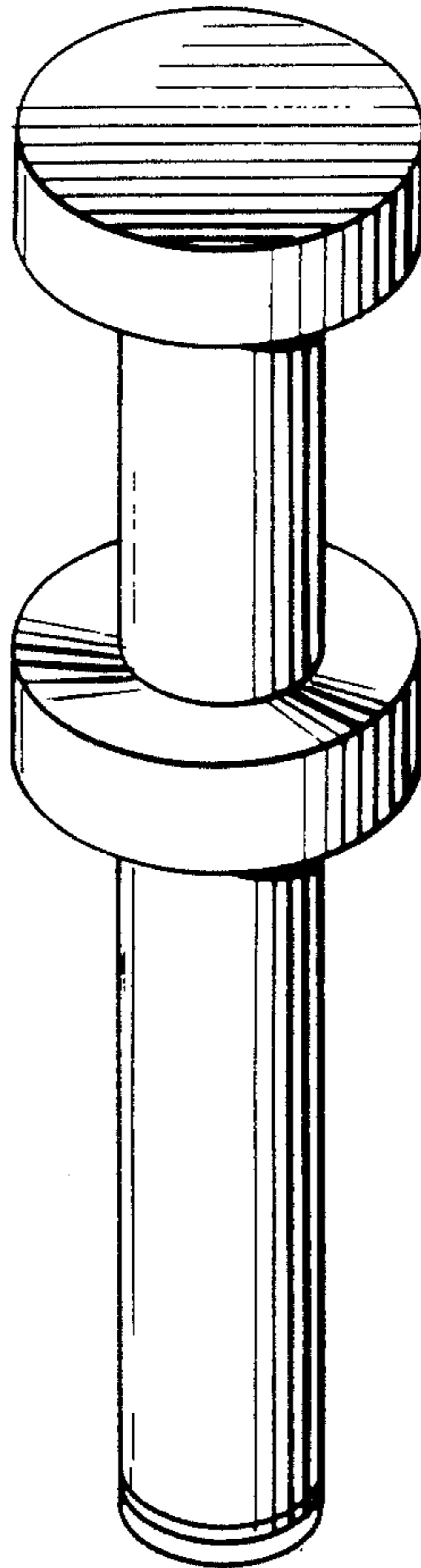
The ornamental design for a furniture leg post, as
shown and described.

DESCRIPTION

FIG. 1 is a perspective view of a supporting leg post for
furniture according to the invention,

FIG. 2 is a view in side elevation of the leg post of FIG.
1, and

FIG. 3 is a top plan view of the leg post of FIG. 1.



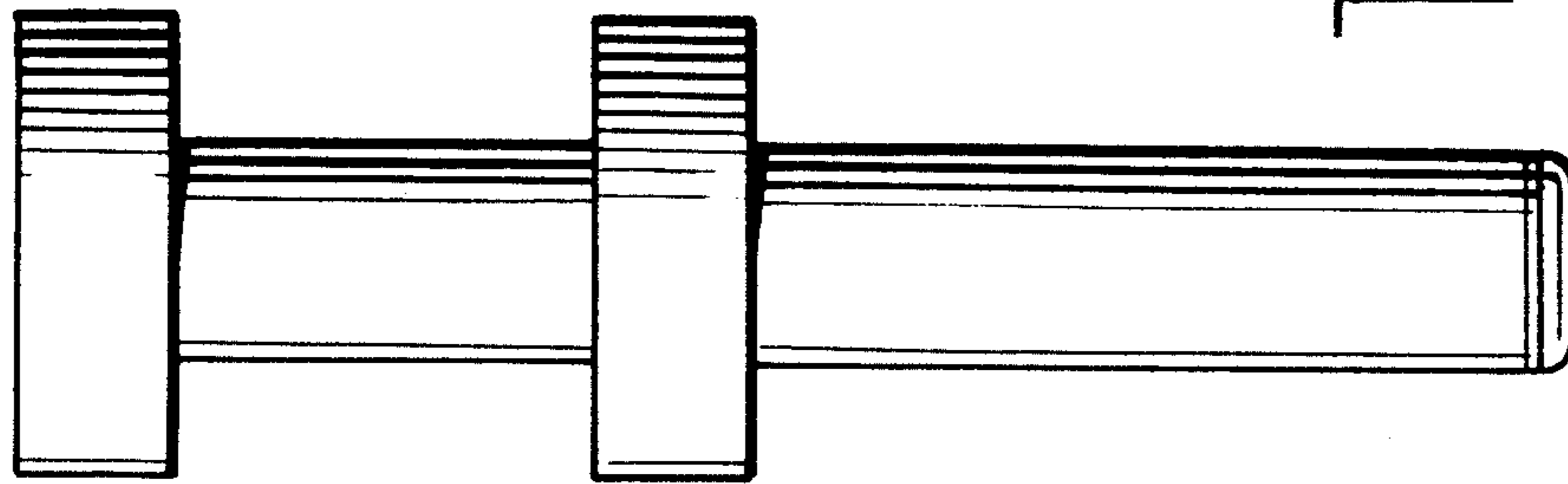


Fig. 2.

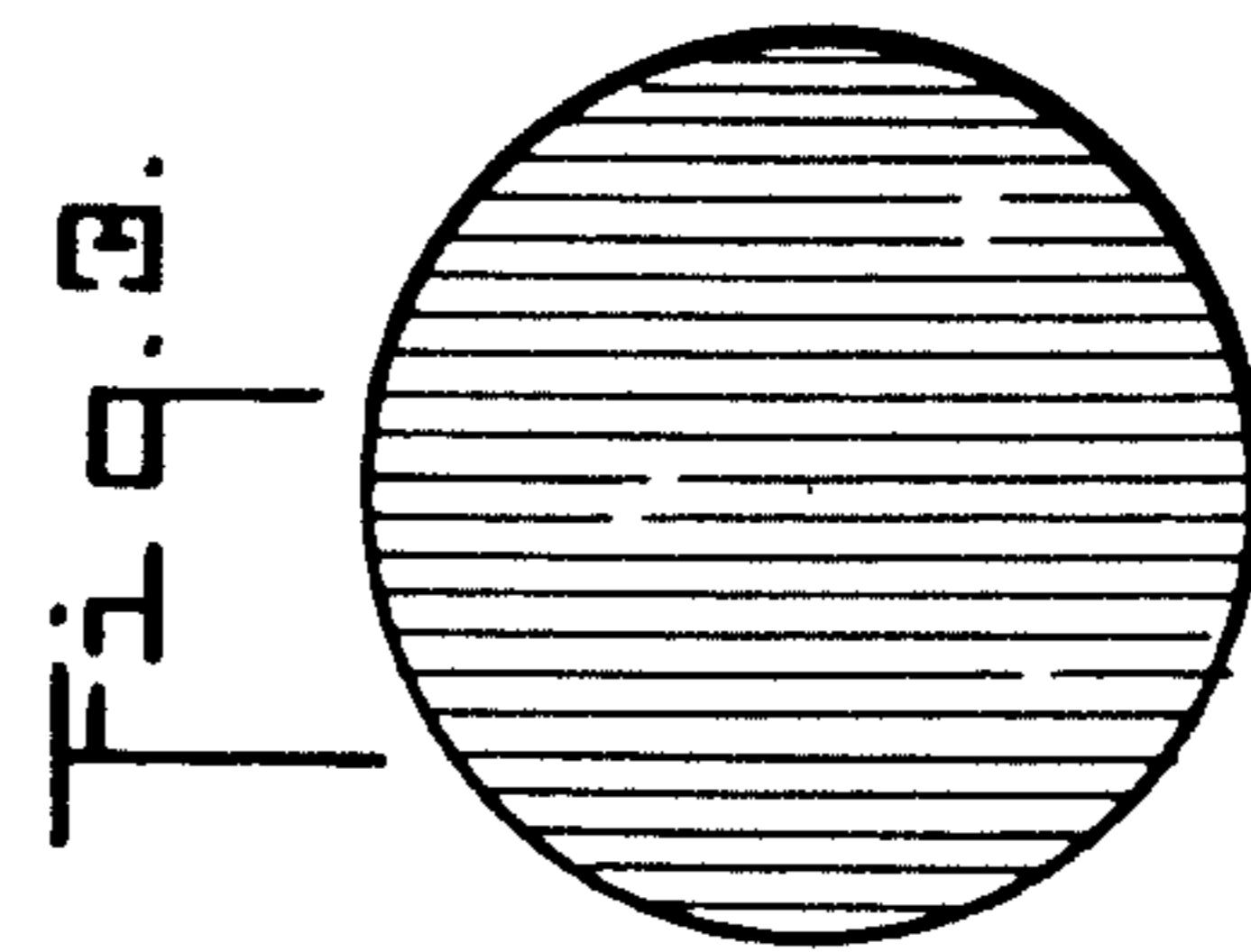


Fig. 3.

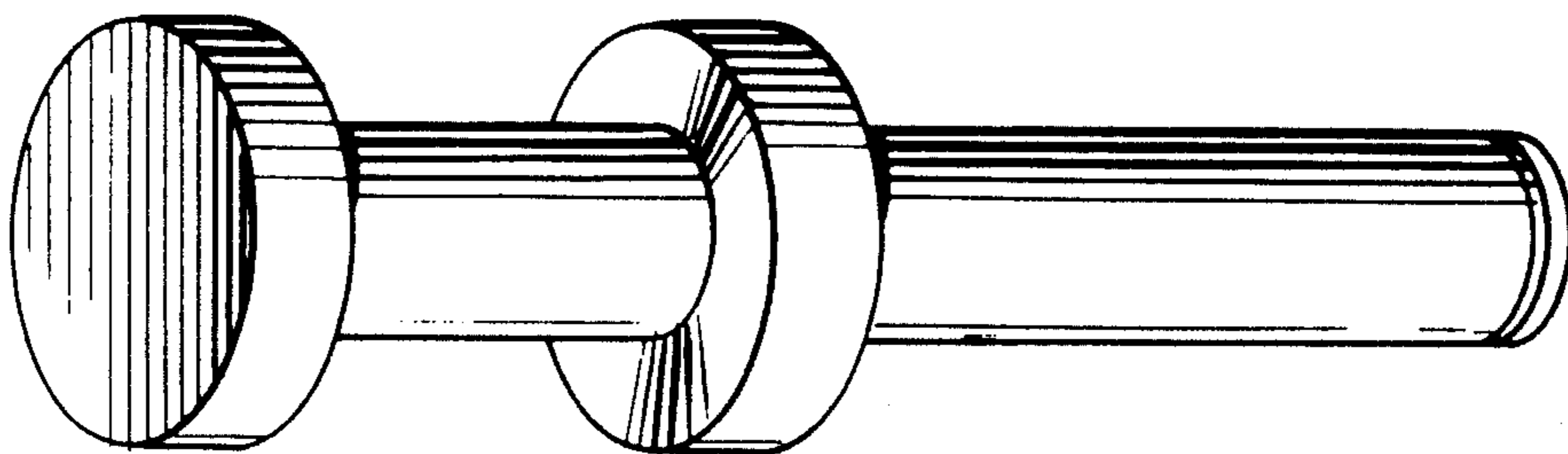


Fig. 1.