

[54] PLANT POT HOLDER

3,338,628 8/1967 Evans ..... D7/70

[76] Inventor: Ronald D. Lavoie, 137 Folly Mill Rd., Salisbury, Mass. 01950

Primary Examiner—Wallace R. Burke  
Assistant Examiner—B. J. Bullock  
Attorney, Agent, or Firm—Gerald Altman

[\*\*] Term: 14 Years

[57] CLAIM

[21] Appl. No.: 762,406

The ornamental design for a plant pot holder, substantially as shown and described.

[22] Filed: Jan. 26, 1977

DESCRIPTION

[51] Int. Cl. .... D6—06

[52] U.S. Cl. .... D6/137; D6/93

[58] Field of Search ..... D6/20, 28, 85, 87, 93, D6/113, 132, 134-137, 179, 182, 186; D7/70, 71; 211/74, 75, 113, 115, 117, 118; 47/66, 67, 70, 72, 39

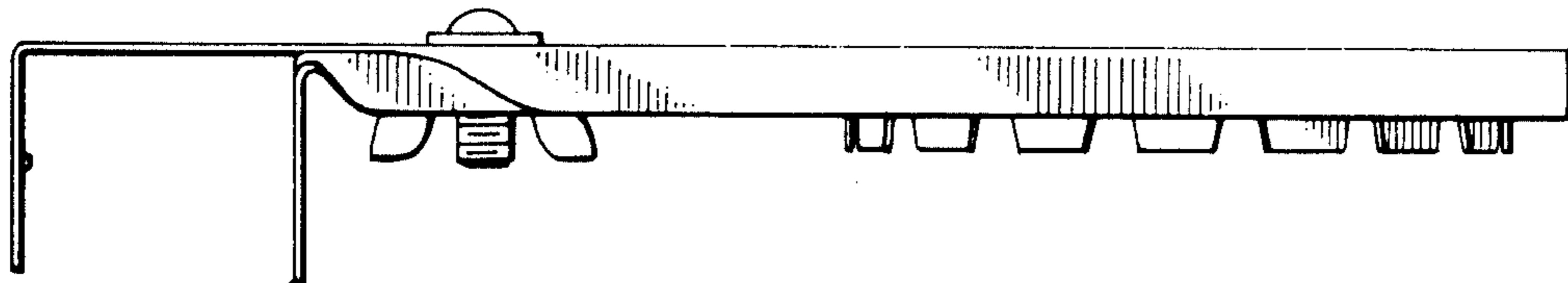
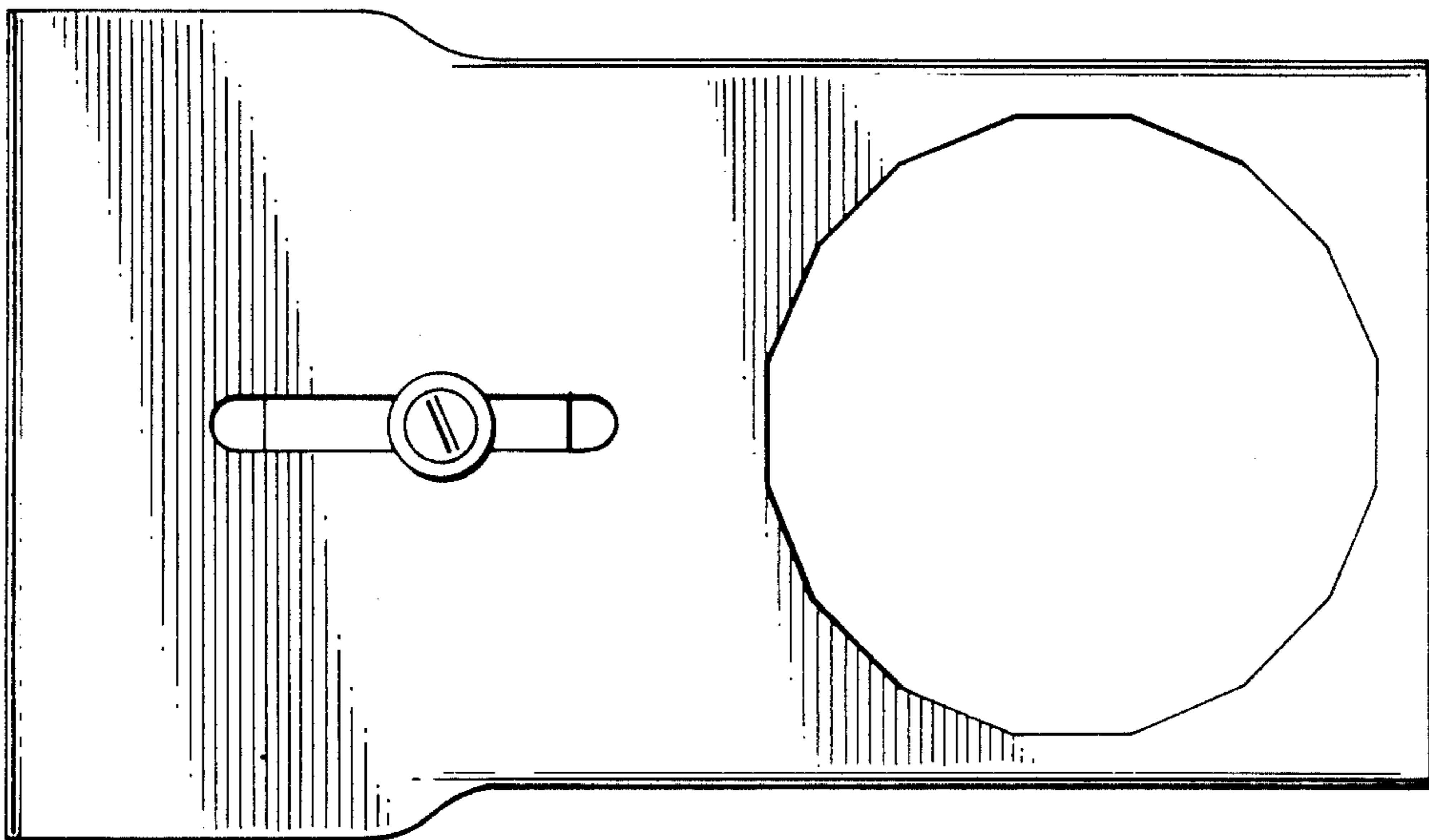
FIG. 1 is a top plan view of the plant pot holder embodying my new design;  
FIG. 2 is a bottom plan view thereof;  
FIG. 3 is a side elevation view thereof;  
FIG. 4 is an end elevational view taken from the right of FIG. 3; and  
FIG. 5 is an end elevational view taken from the left of FIG. 3.

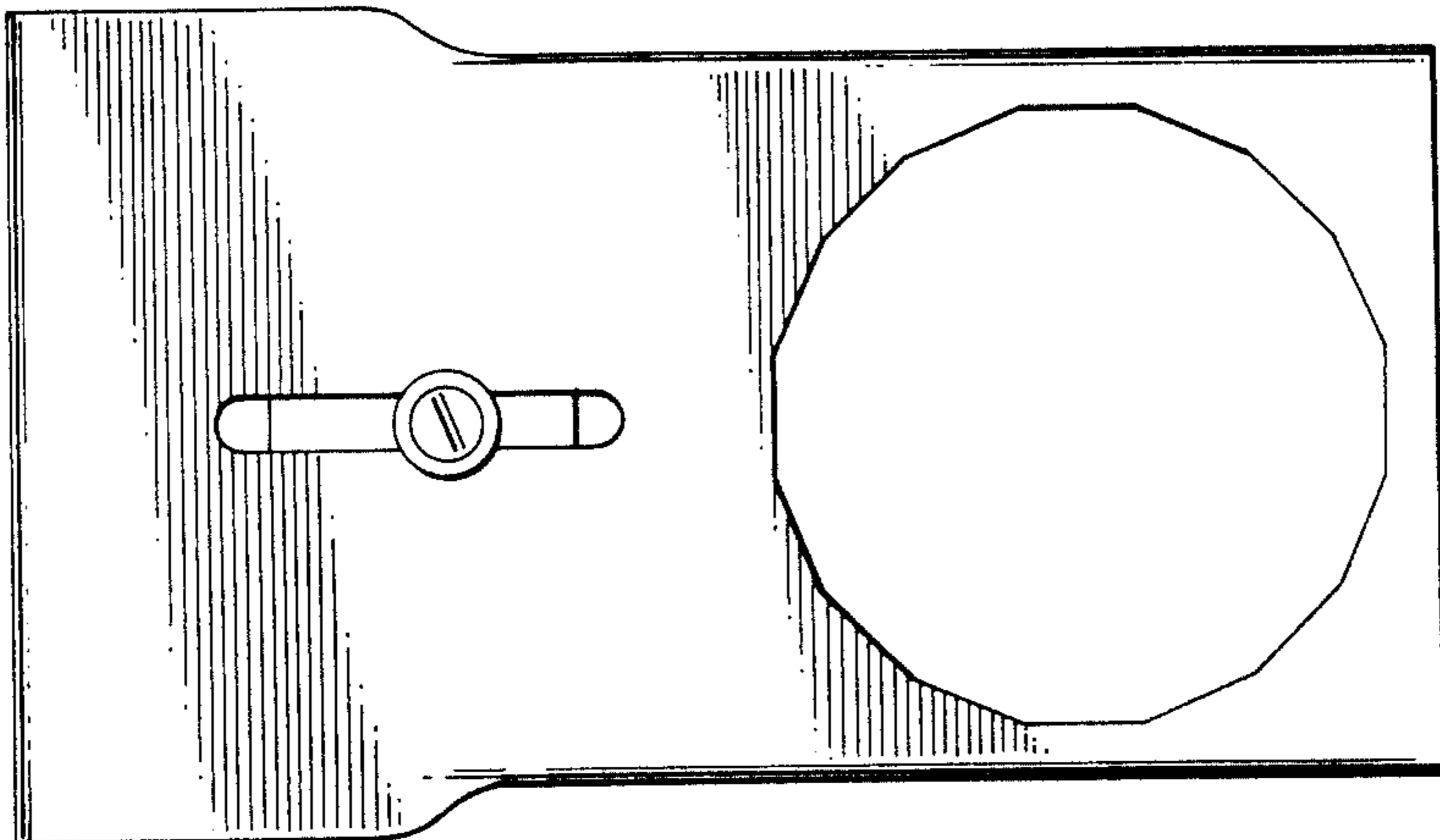
[56] References Cited

U.S. PATENT DOCUMENTS

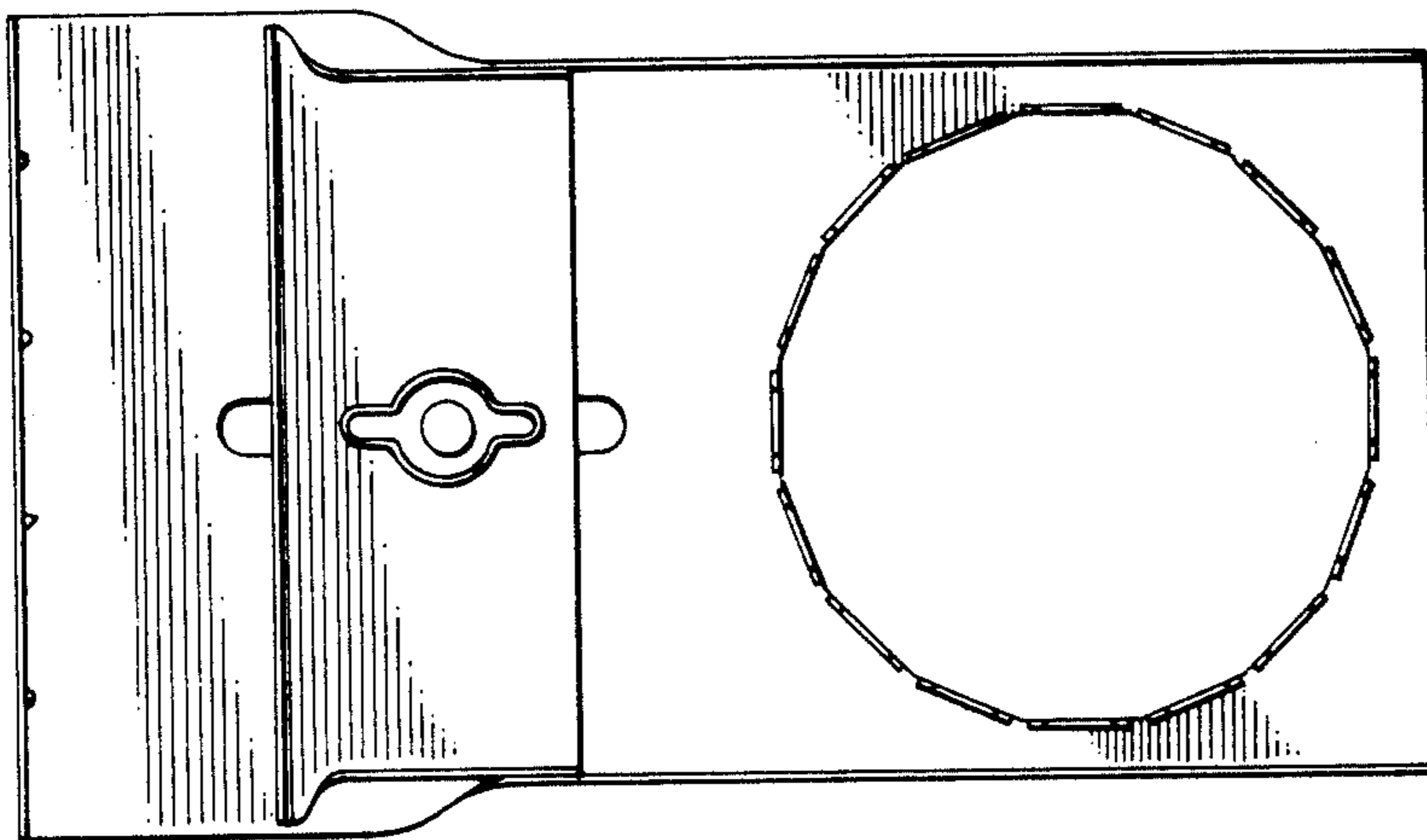
2,588,596 3/1952 Weber ..... 47/39  
2,628,054 2/1953 Fazaker ..... 211/74

The side not shown has substantially the same appearance as the side shown.

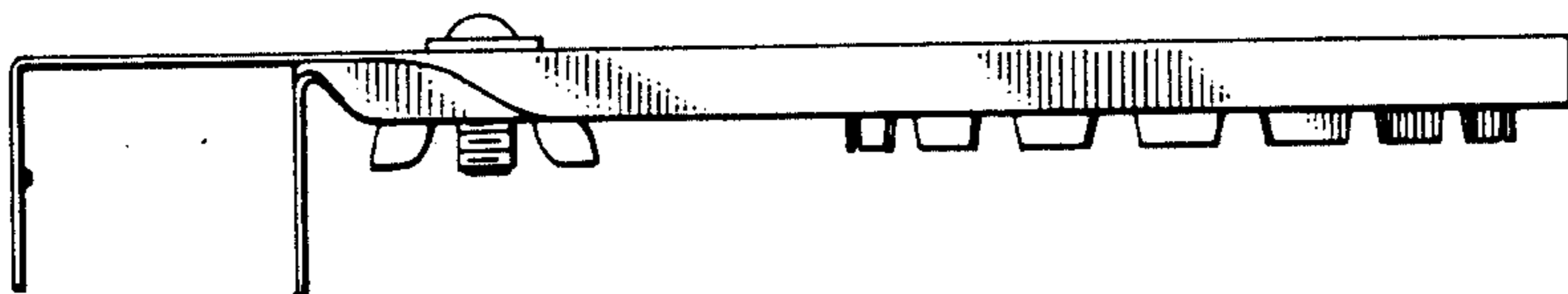




*FIG. 1*

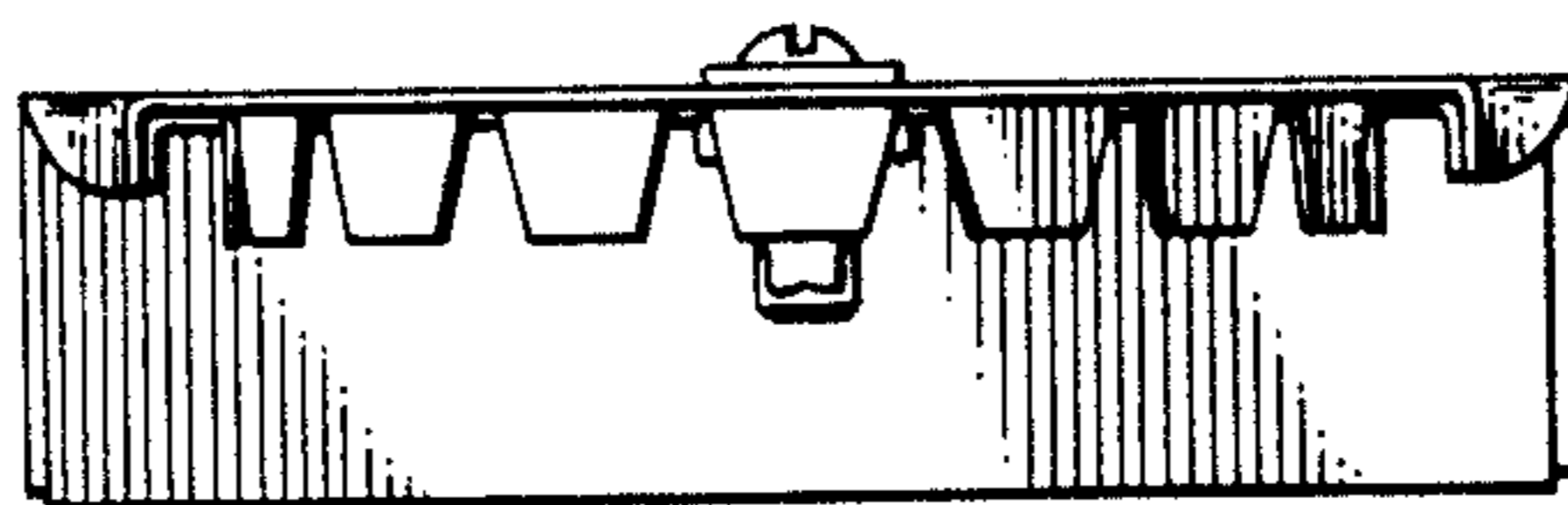


*FIG. 2*



*FIG. 3*

*FIG. 4*



*FIG. 5*

