

[54] BRACKET FOR HOLDING FISHING RODS OR THE LIKE

[76] Inventor: Robert H. McCollum, 2833 Merlin Ave., Fullerton, Calif. 92635

[\*\*] Term: 14 Years

[21] Appl. No.: 690,532

[22] Filed: May 27, 1976

[51] Int. Cl. .... D22-05; D6-04; D8-08

[52] U.S. Cl. .... D6/125; D22/22; D8/373; D8/395; D8/396

[58] Field of Search ..... D8/356, 364, 367, 373, D8/376, 380, 383, 394, 395, 396; 248/74 A, 74 B, 74 PB, 316 D, 68 R, 251; 24/257, 81 CC; 211/89, 64, 66-68, 60 T, 60 R, 69.8; D22/22; D6/114, 125; 43/21.2, 54.5 R, 54.5 A

[56] References Cited

U.S. PATENT DOCUMENTS

3,056,412 10/1962 Wolfe ..... 248/316 D

FOREIGN PATENT DOCUMENTS

386,191 12/1964 Switzerland ..... 248/74 R

340,675 8/1959 Switzerland ..... 248/68 R

Primary Examiner—Wallace R. Burke

Assistant Examiner—James M. Gandy

Attorney, Agent, or Firm—Louis J. Bachand

[57] CLAIM

The ornamental design for a bracket for holding fishing rods or the like, as shown.

DESCRIPTION

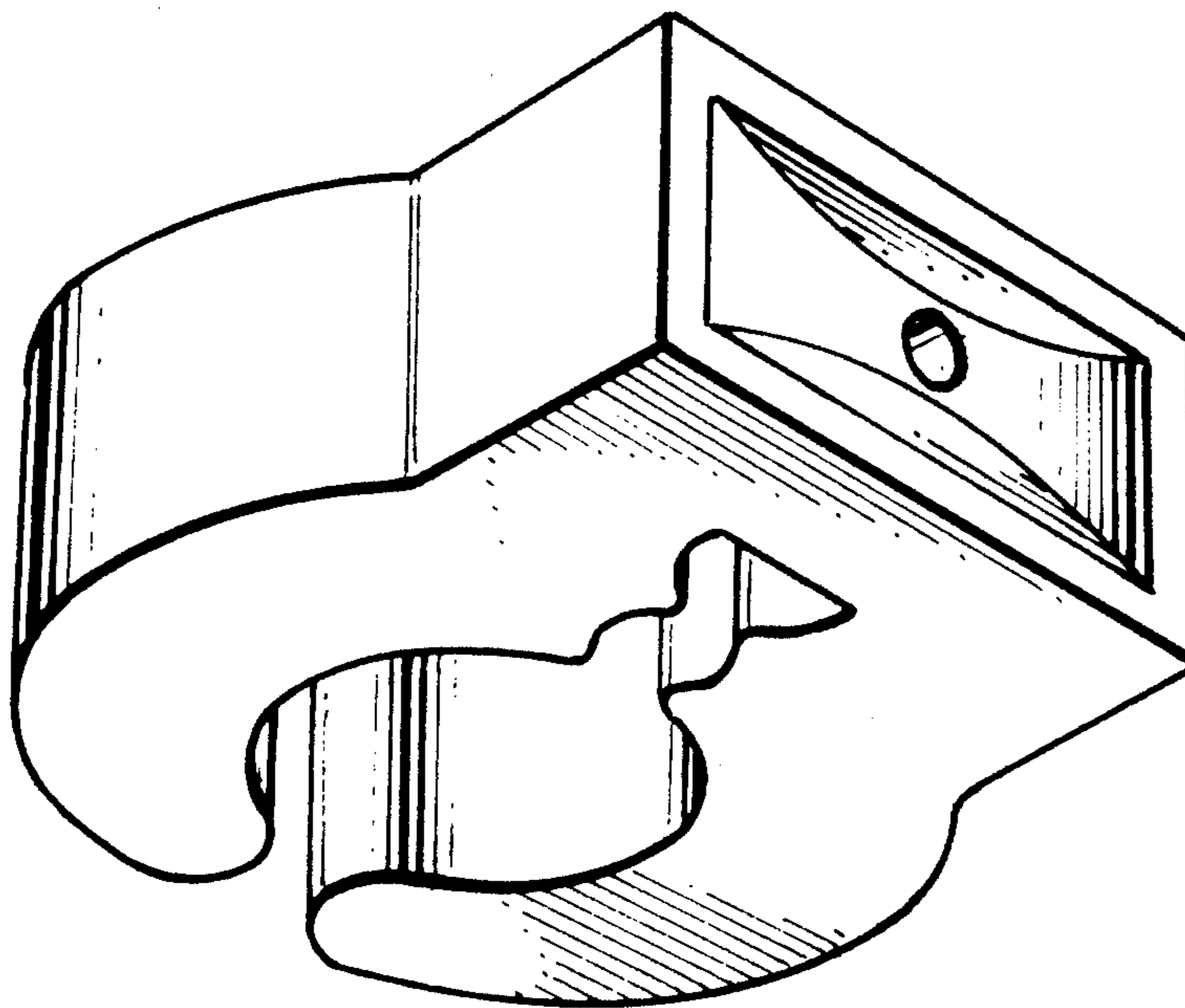
FIG. 1 is a front elevation view of a bracket for holding fishing rods or the like showing my new design;

FIG. 2 is a top plan view thereof;

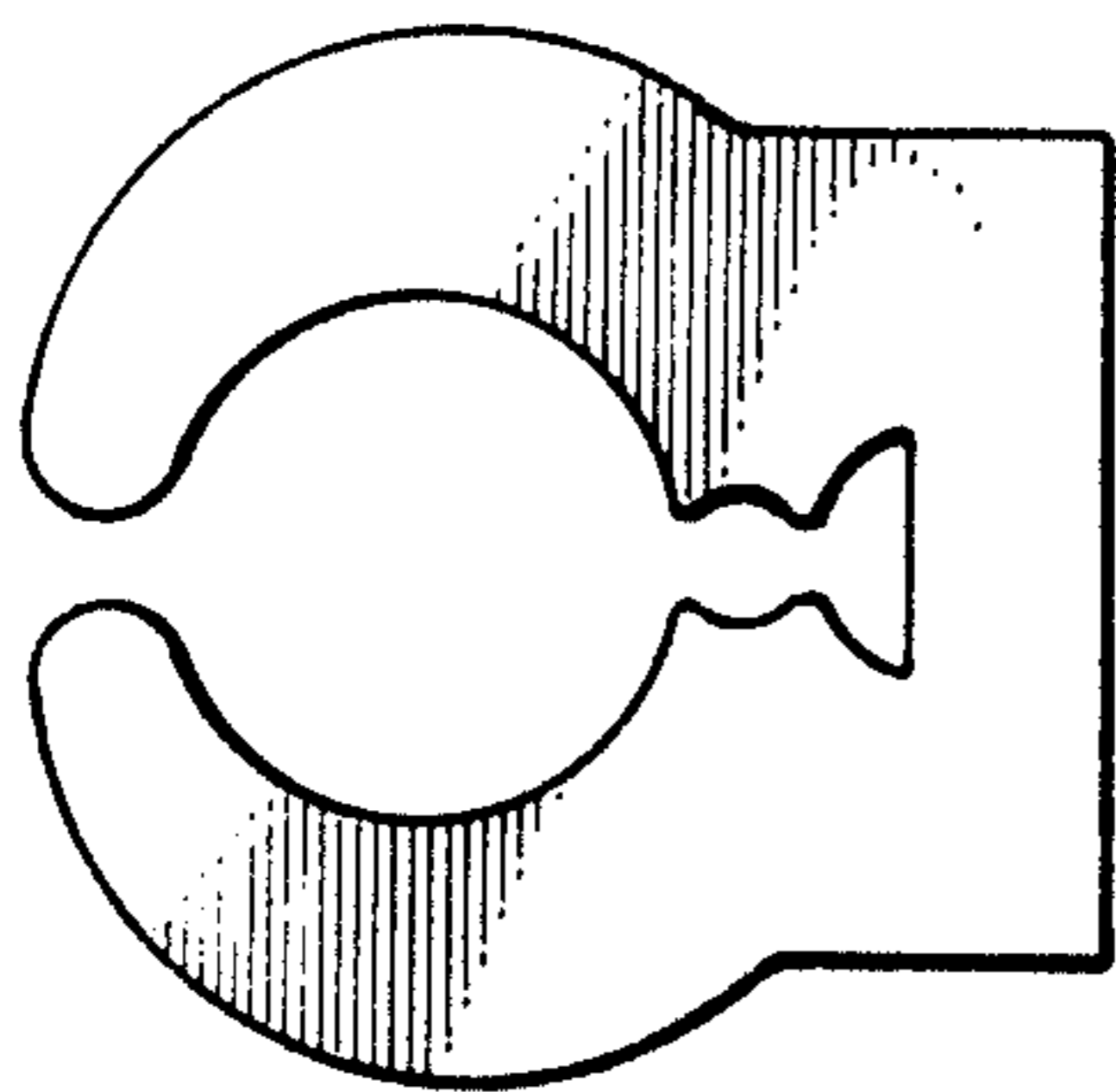
FIG. 3 is a side elevation view thereof;

FIG. 4 is a bottom plan view thereof; and

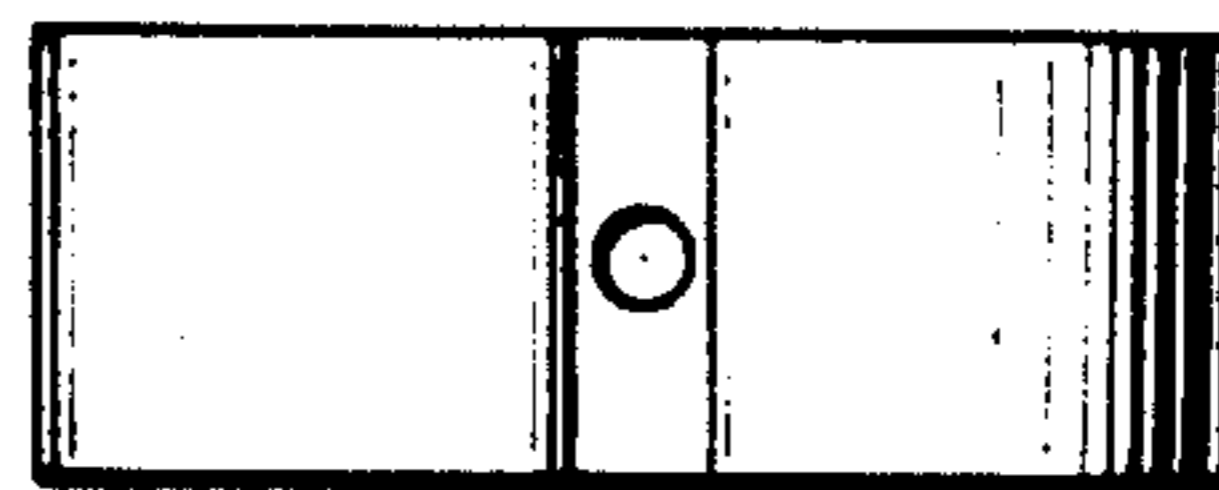
FIG. 5 is a perspective view thereof.



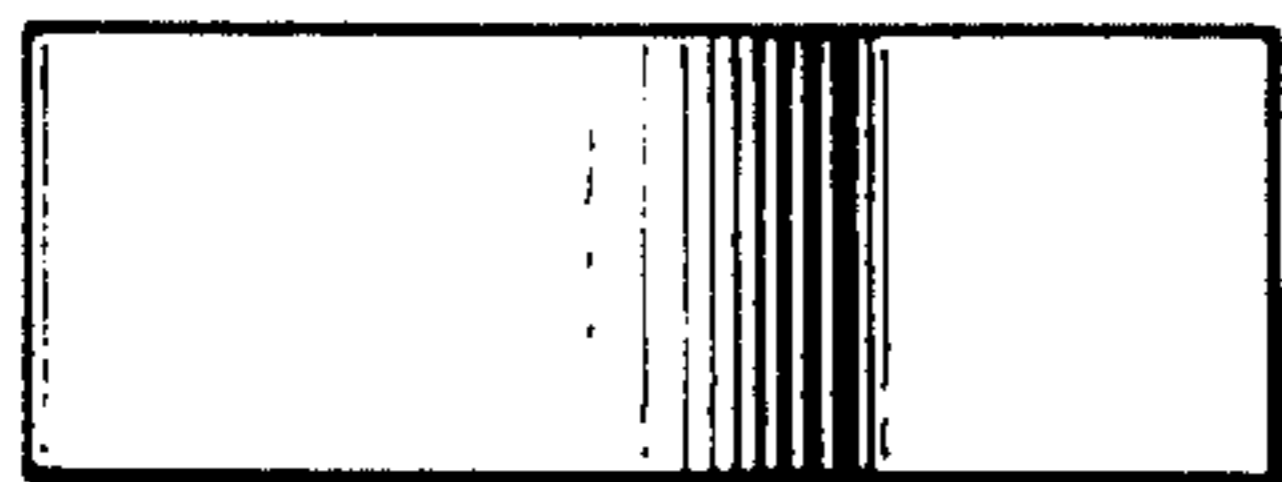
*Fig. 1.*



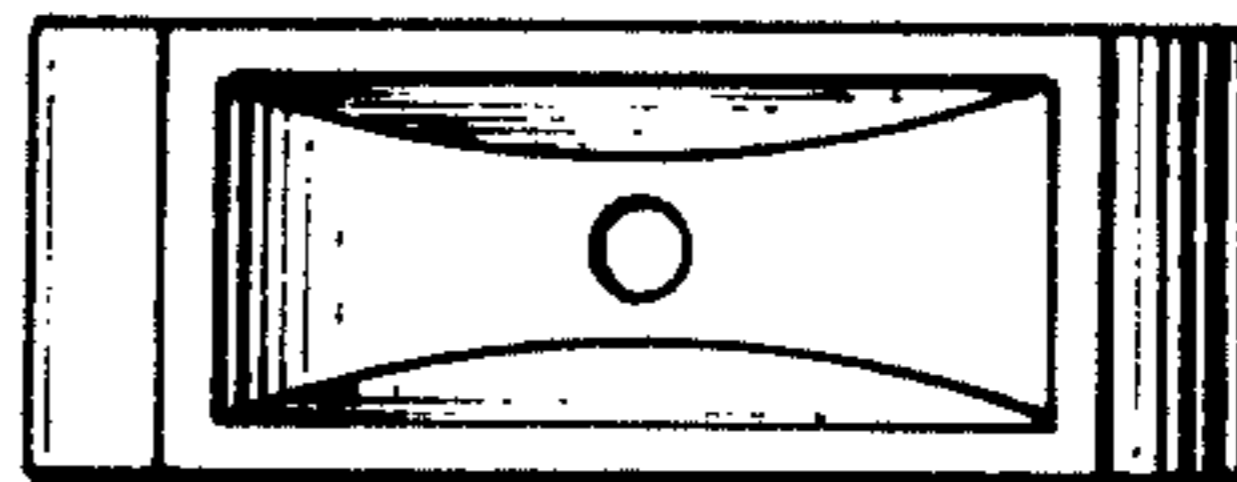
*Fig. 2.*



*Fig. 3.*



*Fig. 4.*



*Fig. 5.*

