

[54] CONVERTIBLE BENCH

[76] Inventor: Cynthia Stoddard, 217 W. 14th St., New York, N.Y. 10011

[\*\*] Term: 14 Years

[21] Appl. No.: 726,252

[22] Filed: Sep. 24, 1976

[51] Int. Cl. .... D6-01

[52] U.S. Cl. .... D6/58; D6/3; D6/39; D6/59; D6/64

[58] Field of Search ..... 297/17, 391, 423; D6/58, 177, 178, 179, 47, 59, 1, 61, 200, 201

[56] References Cited

U.S. PATENT DOCUMENTS

D. 233,090 10/1974 Laylon ..... D6/58 X  
3,627,086 12/1971 Caigan ..... 297/17 X

OTHER PUBLICATIONS

"Glenn Residential" Cat. rec'd 3-23-1973, Cocktail Table at center of page.

Primary Examiner—Bruce W. Dunkins  
Attorney, Agent, or Firm—George B. Finnegan, Jr.

[57] CLAIM

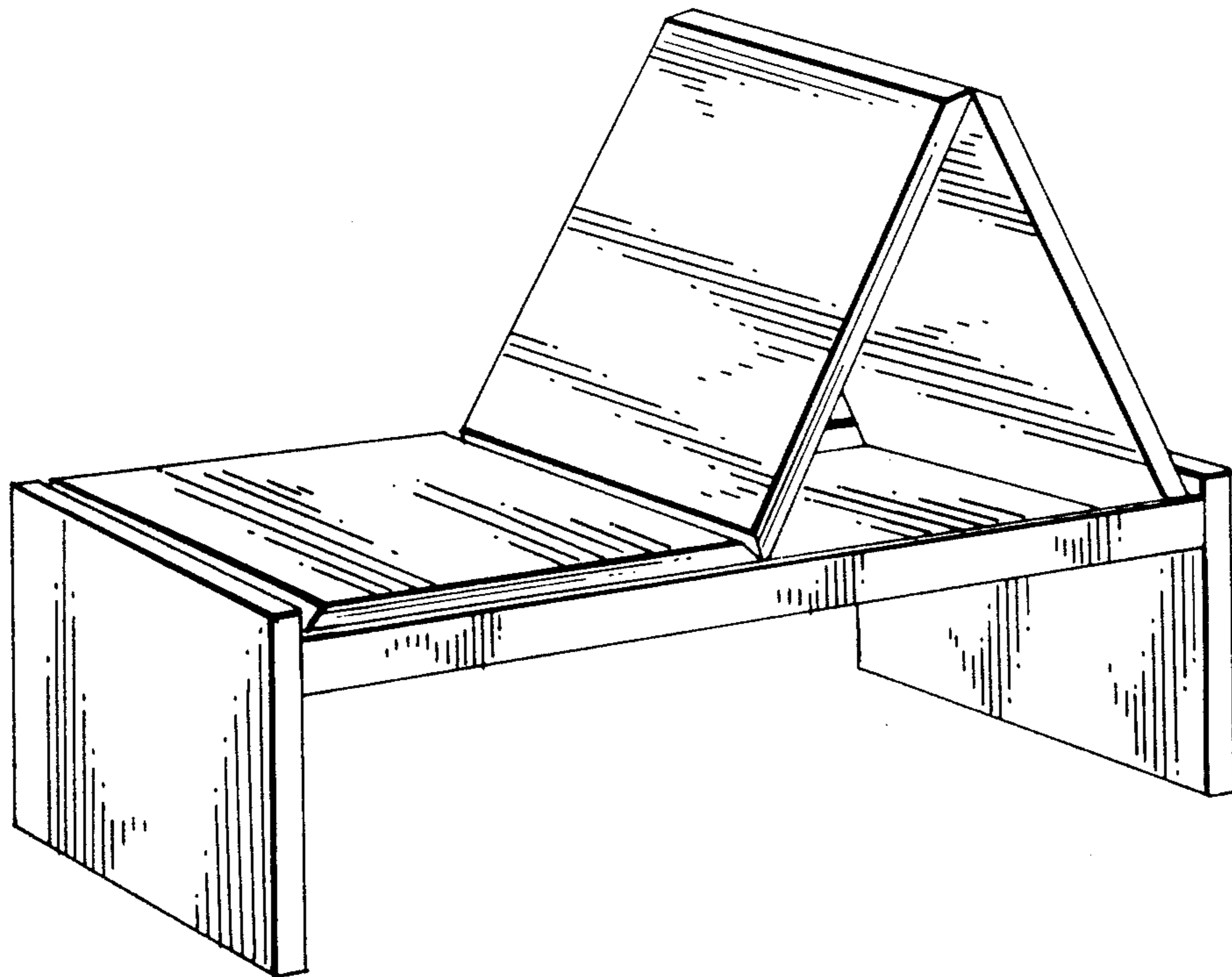
The ornamental design for a convertible bench, as shown and described.

DESCRIPTION

FIG. 1 shows an exploded view of the components of my convertible bench which are: four hinged interfacing beveled members, and a base consisting of a horizontal frame and two vertical supporting members.

FIG. 2 is a perspective view disclosing the end and side not shown in FIG. 1 of the convertible bench embodying my new design, the view illustrating the convertible bench when positioned as a for use bench.

FIG. 3 is a second perspective view thereof, the view illustrating the convertible bench when one of the hinged interfaced members is positioned for use as a chair with backrest. When used as a chair, two horizontal members remain in the folded position and two other members are put into a peaked position.



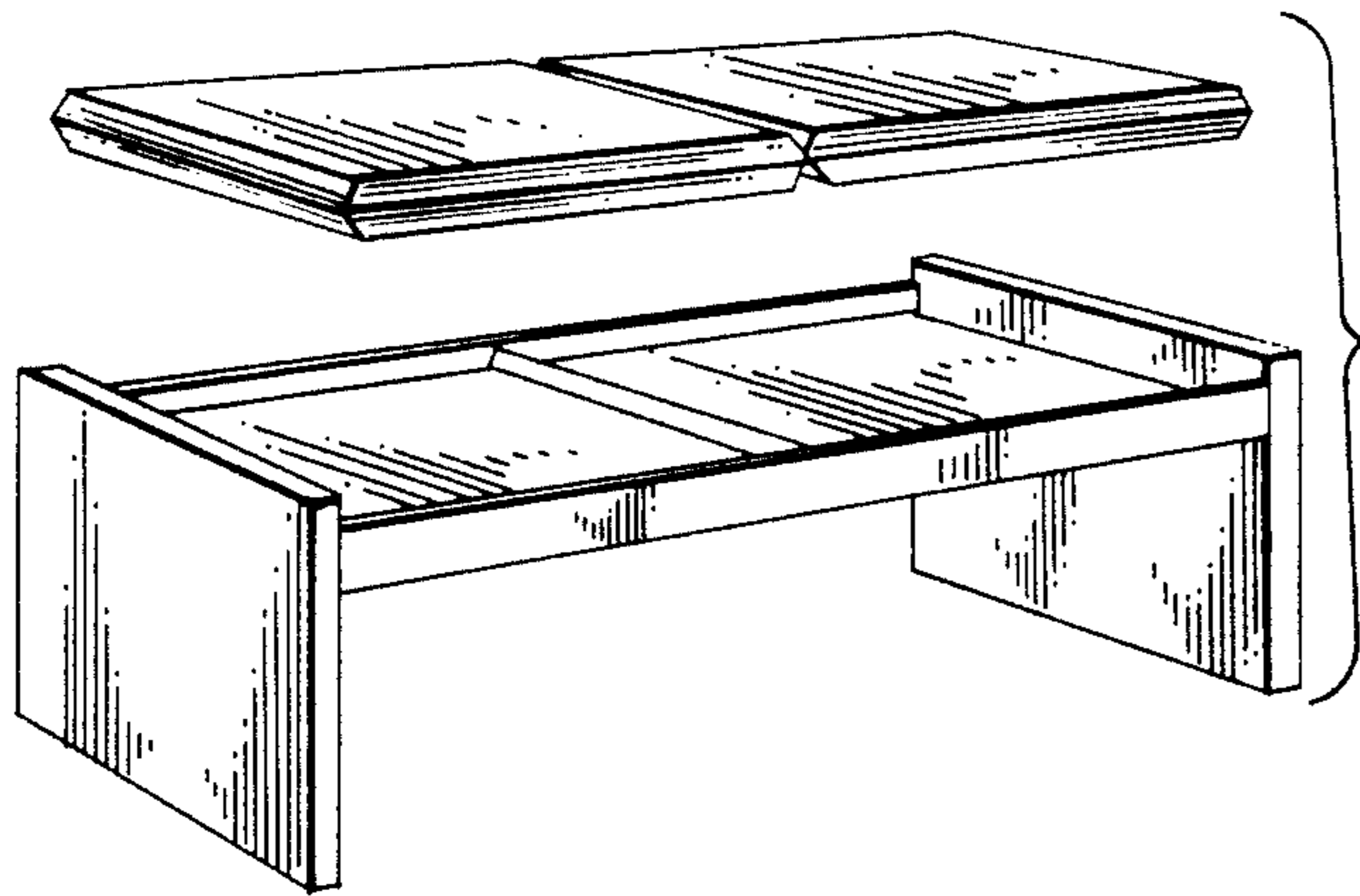


FIGURE 1

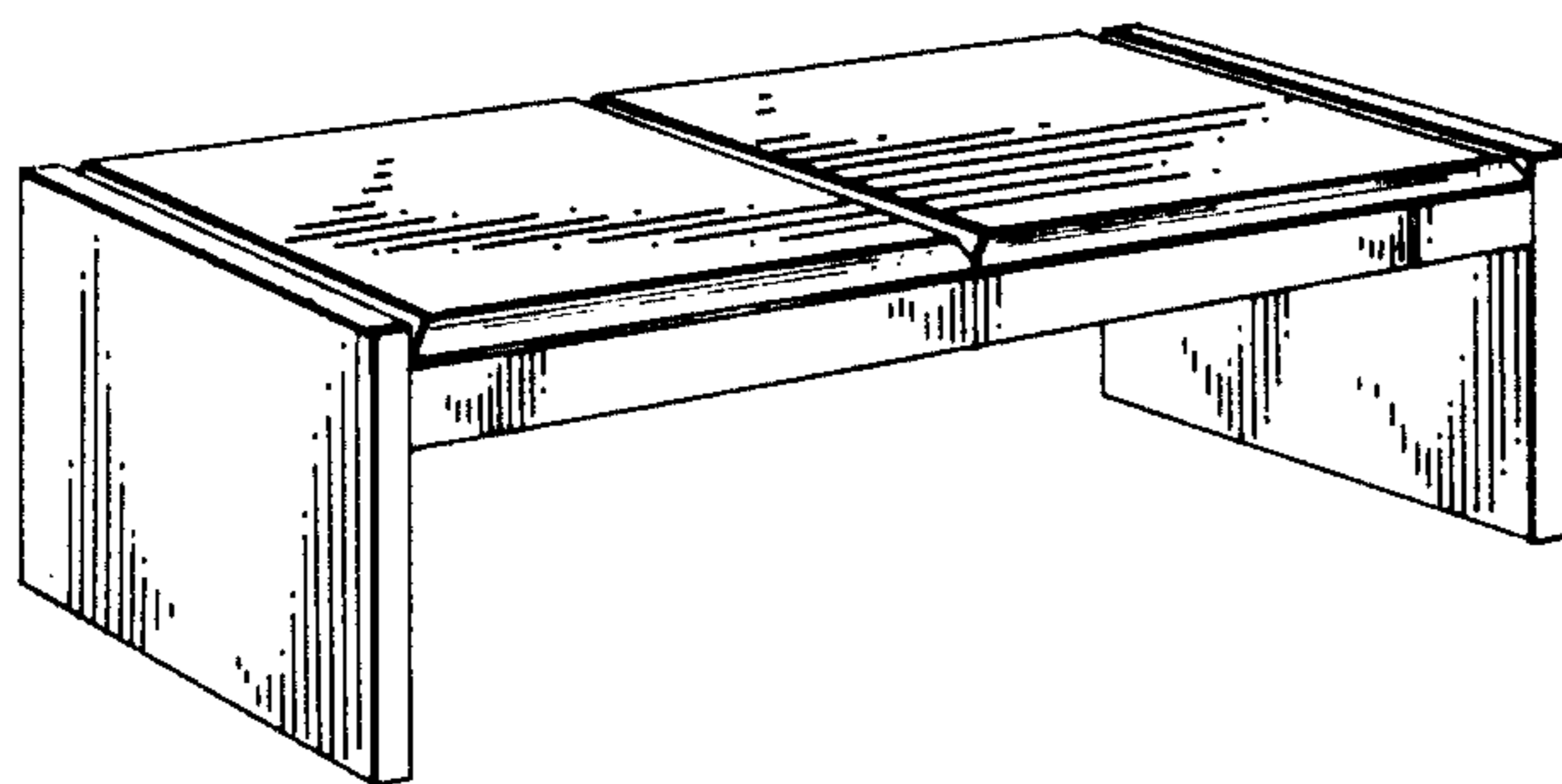


FIGURE 2

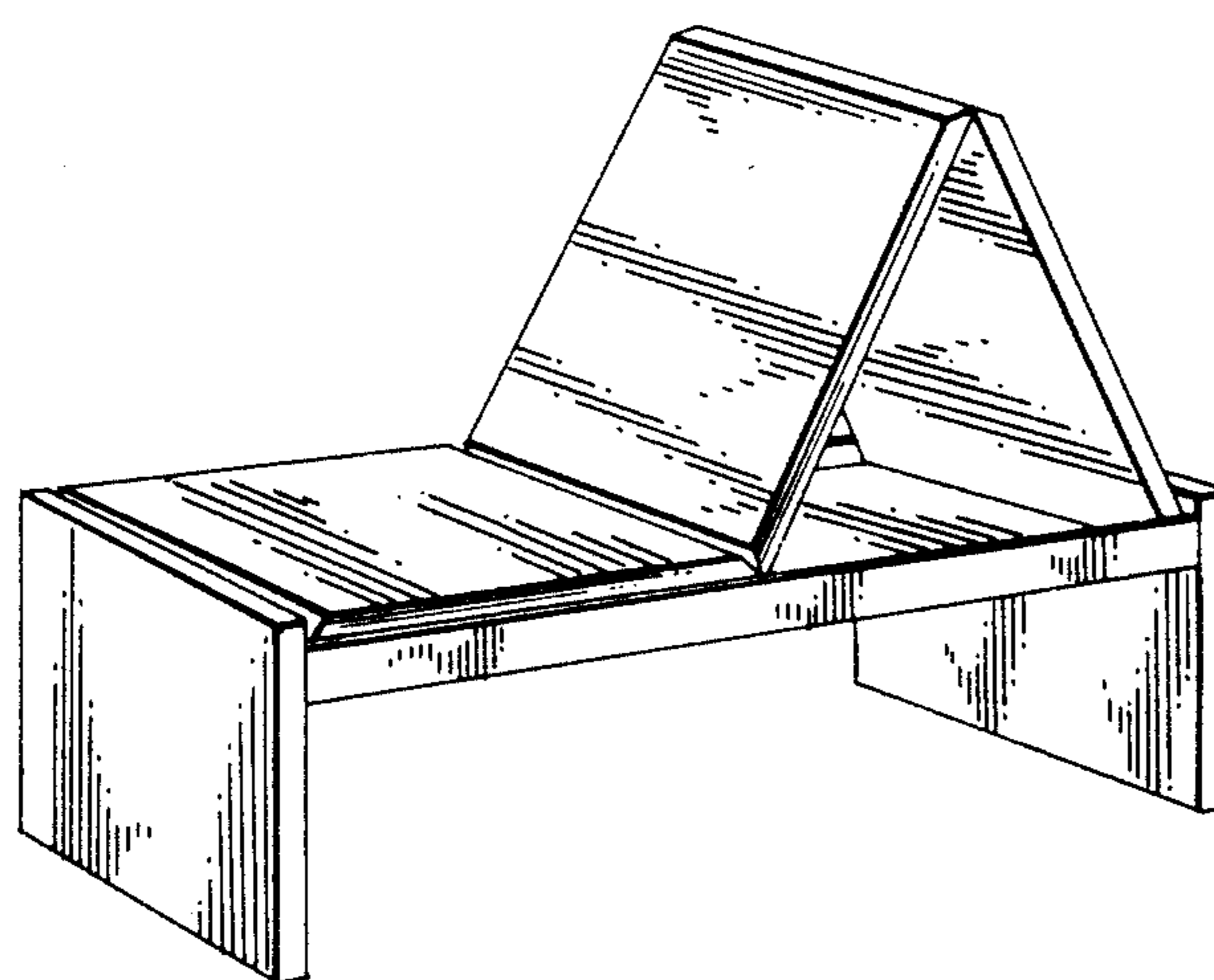


FIGURE 3