

[54] STOOL

[76] Inventor: Steven Douglas Gageby, 2025 N. Bradley St., St. Paul, Minn. 55117

[\*\*] Term: 14 Years

[21] Appl. No.: 677,603

[22] Filed: Apr. 16, 1976

[51] Int. Cl. .... D6-01

[52] U.S. Cl. .... D6/32; D6/29; D6/58

[58] Field of Search ..... D6/26, 20, 27, 36, 47, D6/21, 29, 32, 58, 59

[56] References Cited

U.S. PATENT DOCUMENTS

- D. 143,492 1/1946 Karp ..... D6/47
- D. 208,466 9/1967 Rodrigo ..... D6/29 X
- D. 216,257 12/1969 Salsgiver ..... D6/21
- D. 237,266 10/1975 Mudde ..... D6/26

Primary Examiner—Bruce W. Dunkins

[57] CLAIM

The ornamental design for a stool, as shown and described.

DESCRIPTION

FIG. 1 is a front elevation view of a stool showing my new design, the recessed areas are shaded for color contrast;

FIG. 2 is a side elevation view thereof, the undisclosed side being substantially identical with the side shown, the recessed areas are shaded for color contrast;

FIG. 3 is a rear elevation view thereof, the recessed areas are shaded for color contrast;

FIG. 4 is a front perspective view thereof, the recessed areas are shaded for color contrast;

FIG. 5 is a rear perspective view thereof, the recessed areas are shaded for color contrast;

FIG. 6 is a cross-sectional view taken along line 6—6 of FIG. 1, the recessed areas being shaded for color contrast; and

FIG. 7 is a cross-sectional view taken along line 7—7 of FIG. 1.

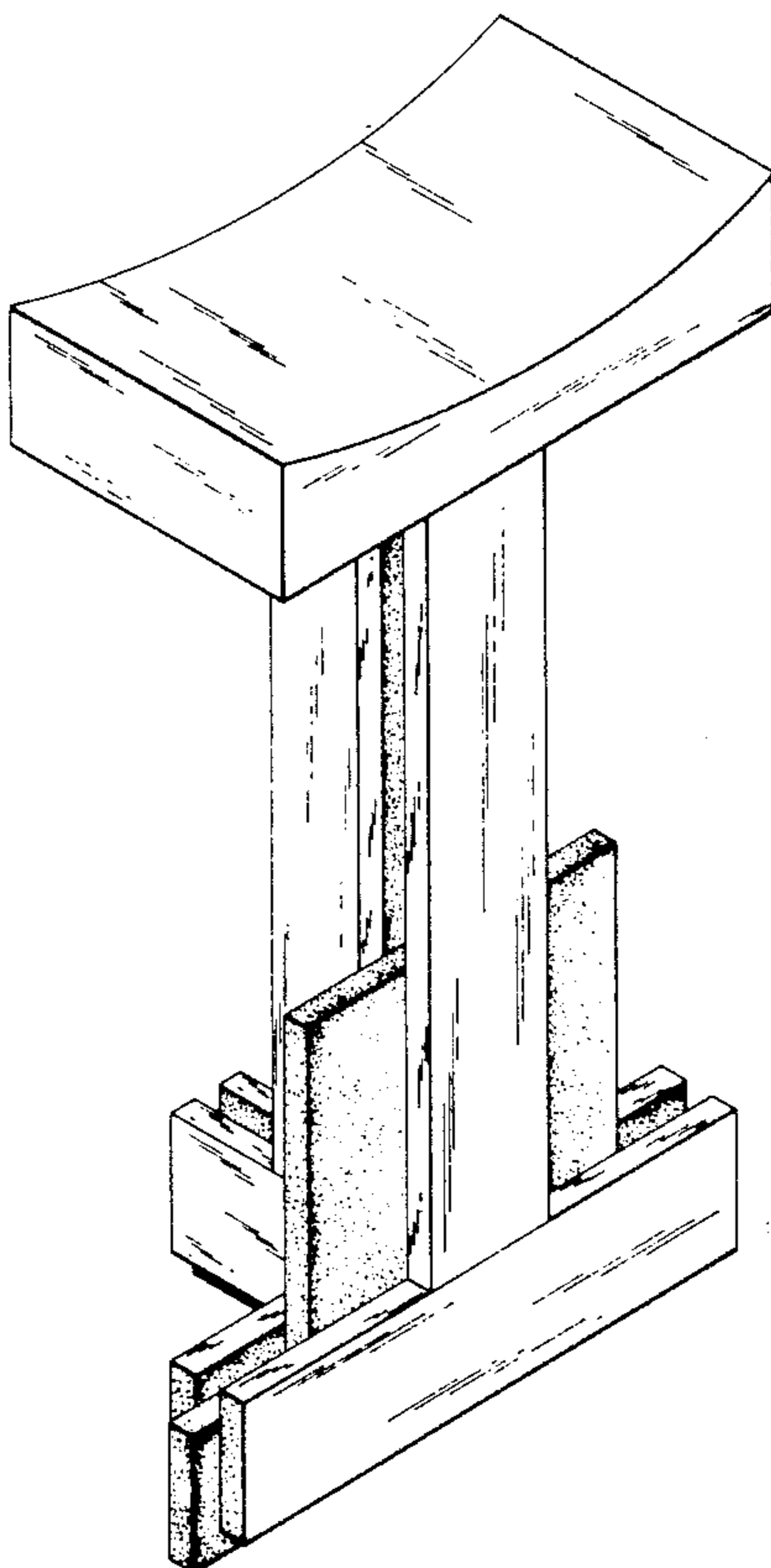


FIG. 1

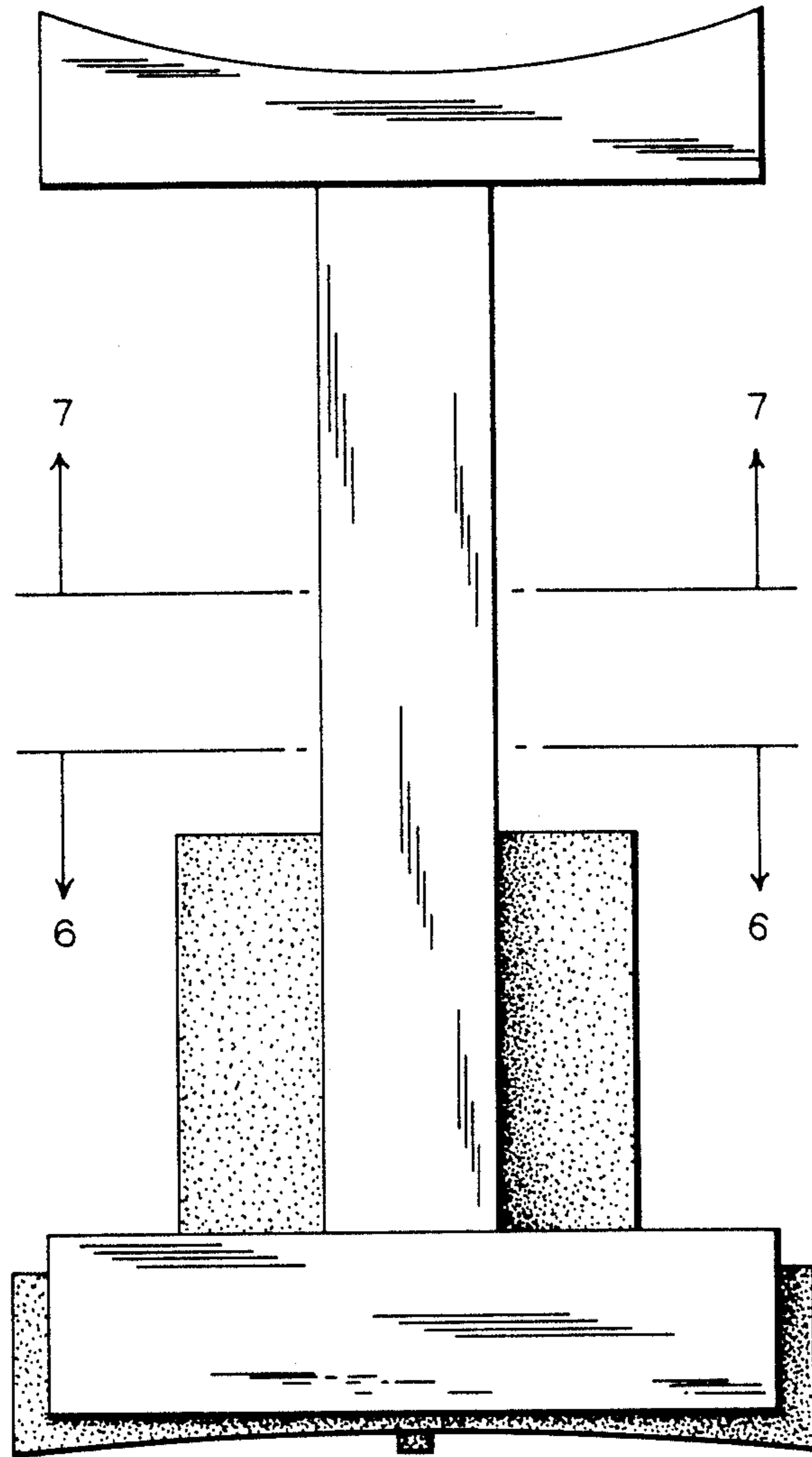


FIG. 2

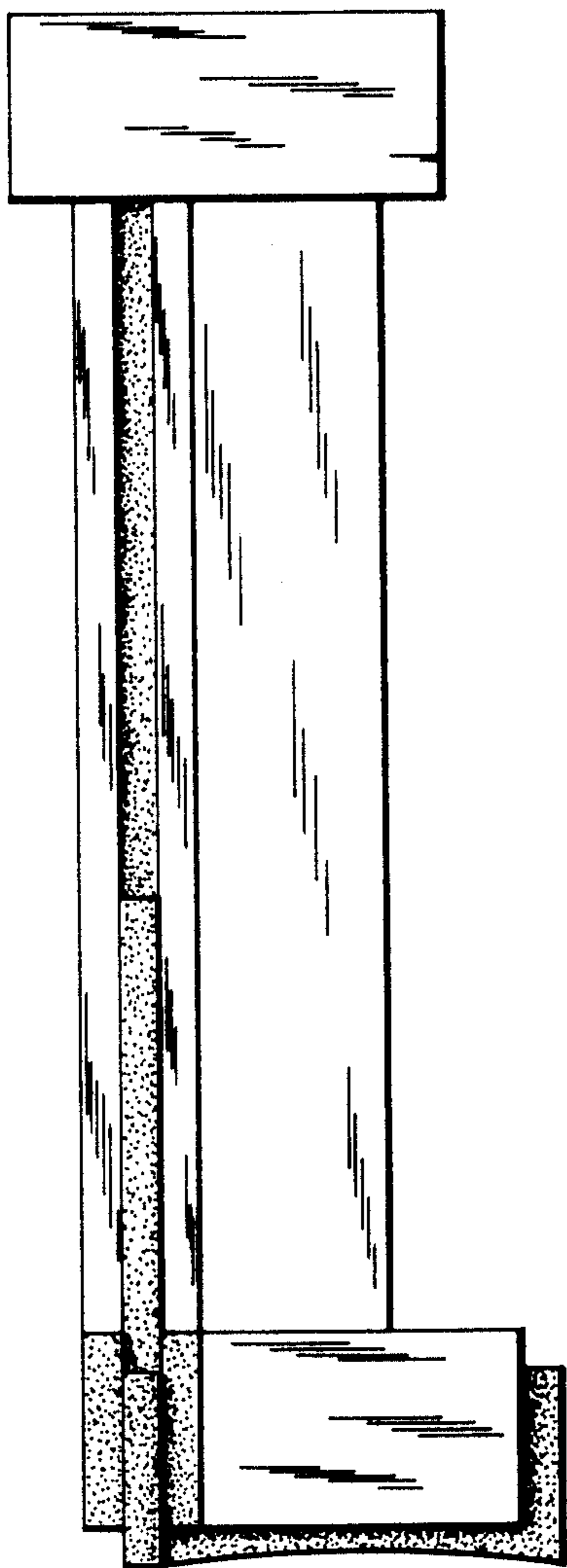


FIG. 3

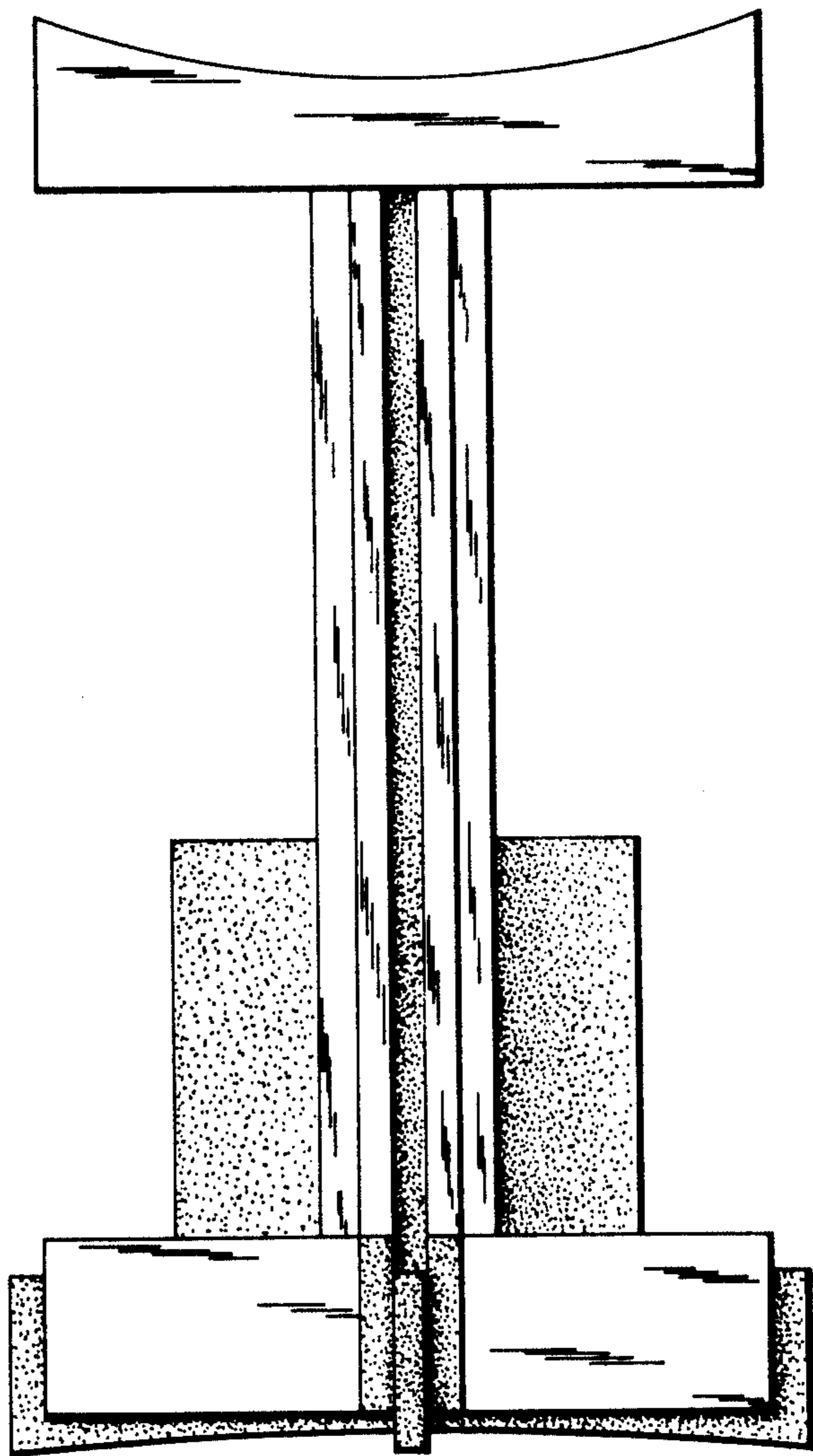


FIG. 4

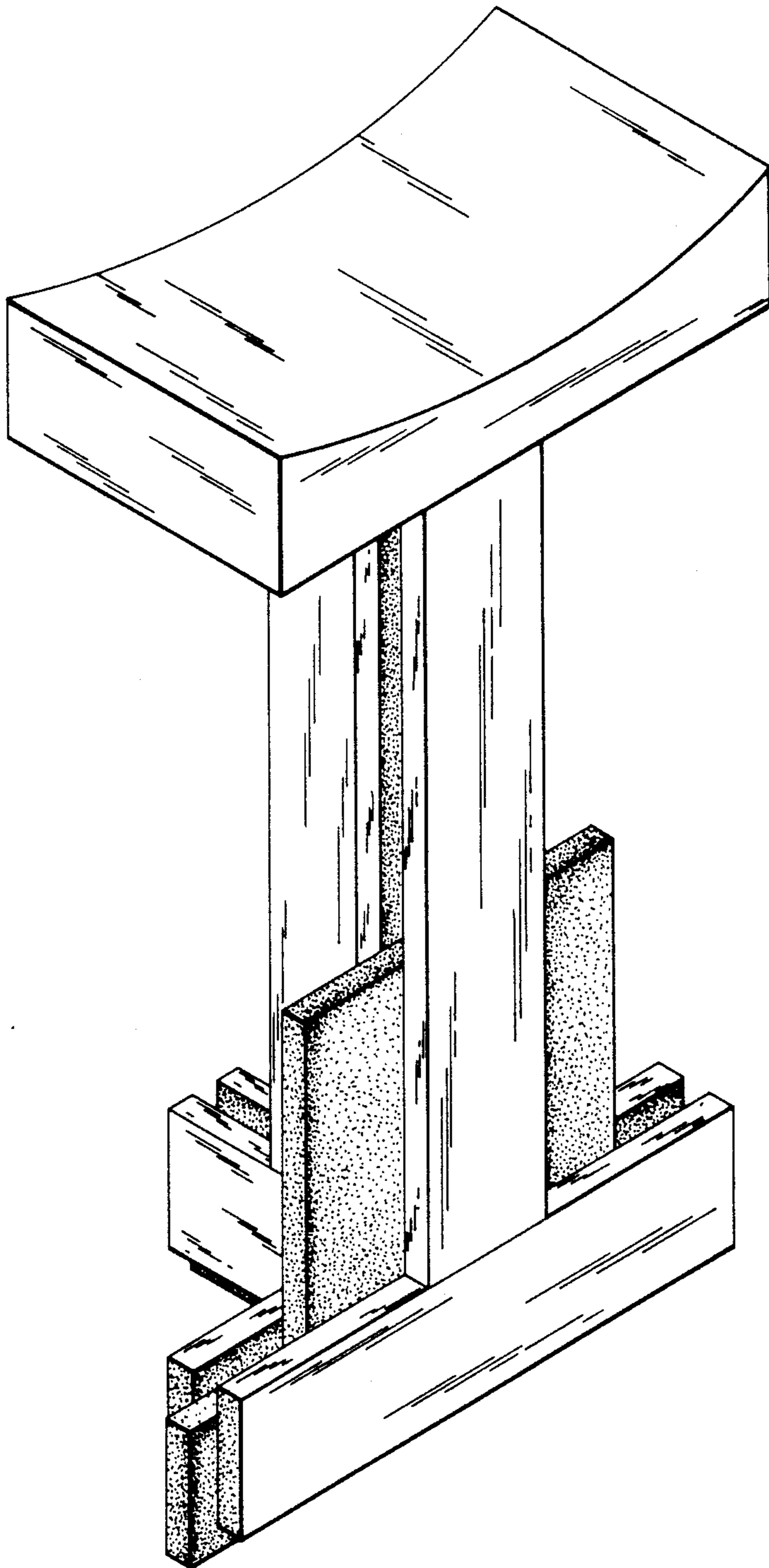


FIG. 5

