

[54] **ORNAMENTAL STANDARD**

[76] **Inventor: Charles Eugene Miller, 51964 Fir Rd., Granger, Ind. 46530**

[**] **Term: 14 Years**

[21] **Appl. No.: 689,469**

[22] **Filed: May 24, 1976**

[51] **Int. Cl. D20-03**

[52] **U.S. Cl. D96/12 A**

[58] **Field of Search D96/12 R, 12 A; D10/109; D25/43, 45, 71, 73, 74, 77; 40/125 R, 125 F, 125 H, 125 G, 128, 218, 10 R, 39; 116/173, 174, 175; 248/158, 156; 256/21, 22; D11/165, 166, 168, 181, 182, 183**

1,415,782 5/1922 **Brace** 248/158 UX
 2,993,287 7/1961 **Goesle** D96/12 R X
 3,113,760 12/1963 **Huret et al.** 256/21 X
 3,640,242 2/1972 **Guinn et al.** 40/125 F X

FOREIGN PATENT DOCUMENTS

457,980 8/1968 **Switzerland** 40/218

Primary Examiner—Wallace R. Burke
Assistant Examiner—Catherine Kemper
Attorney, Agent, or Firm—Eugene C. Knoblock

[57] **CLAIM**

The ornamental design for an ornamental standard, as shown.

DESCRIPTION

FIG. 1 is a perspective view of an ornamental standard showing my new design.

FIG. 2 is a side elevational view thereof.

FIG. 3 is an edge view as viewed from the right in FIG. 2.

FIG. 4 is a top plan view thereof.

[56] **References Cited**
U.S. PATENT DOCUMENTS

D. 187,634 4/1960 **Parker** D96/12 A X
 D. 223,192 3/1972 **Gertler** D10/109 X

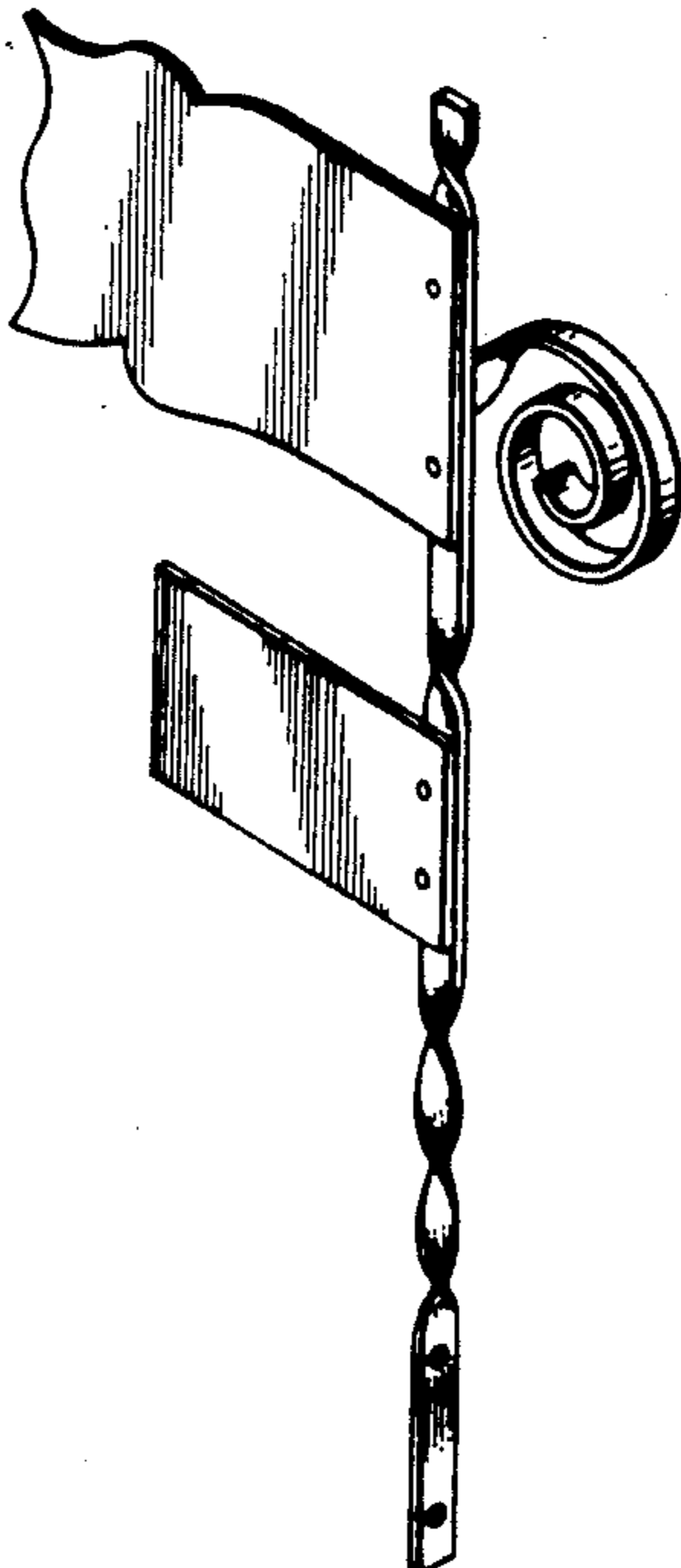


Fig. 1

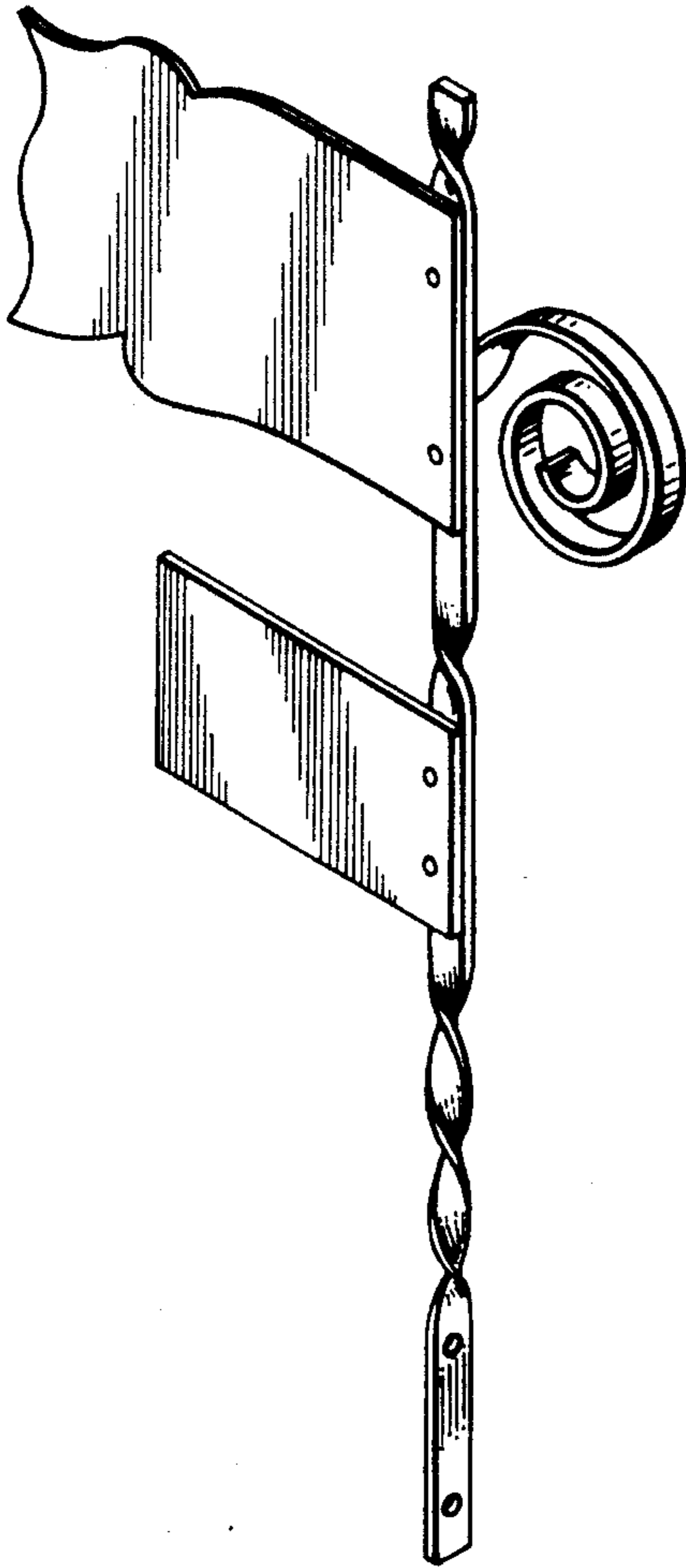


Fig. 2

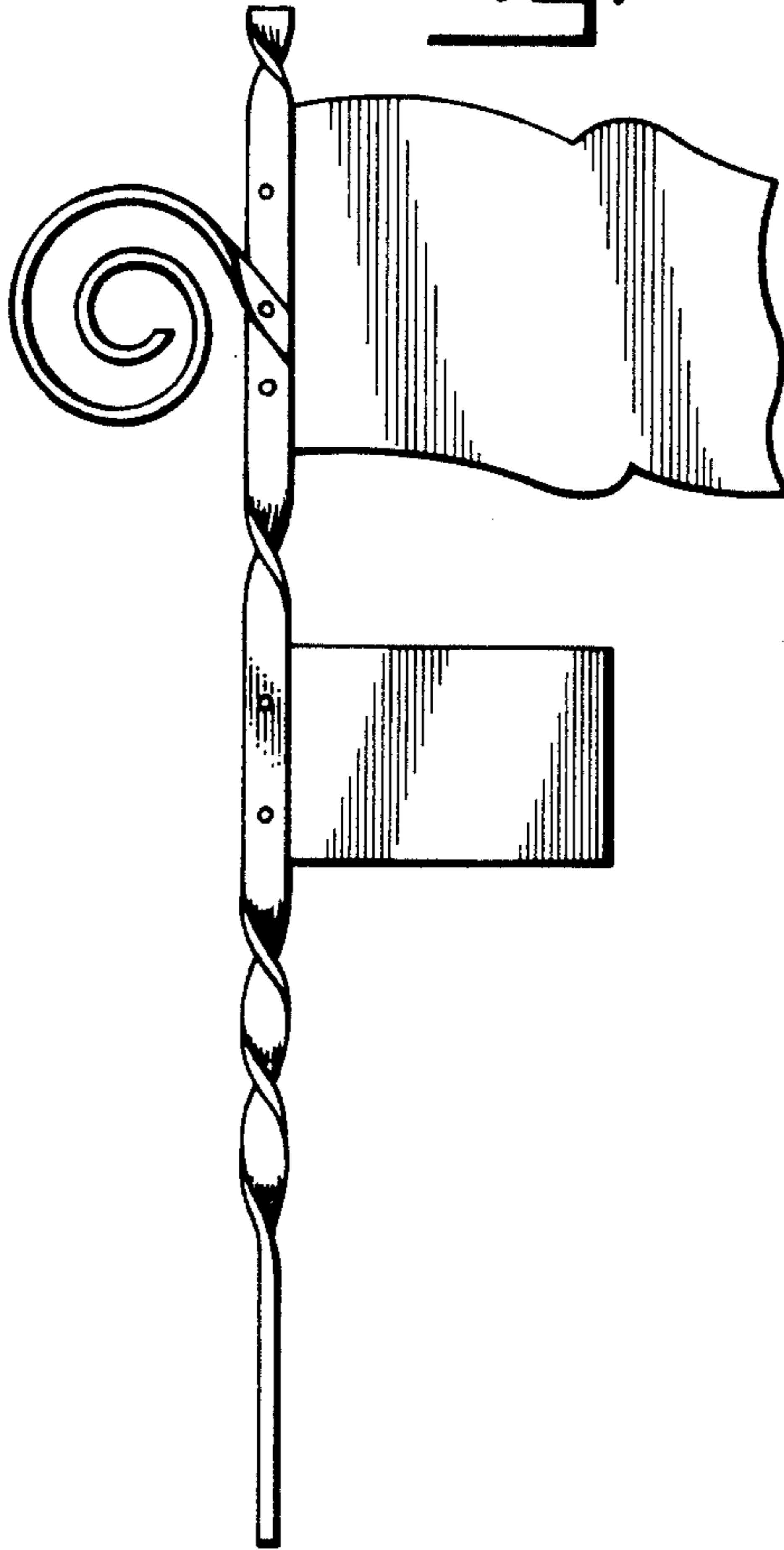


Fig. 3

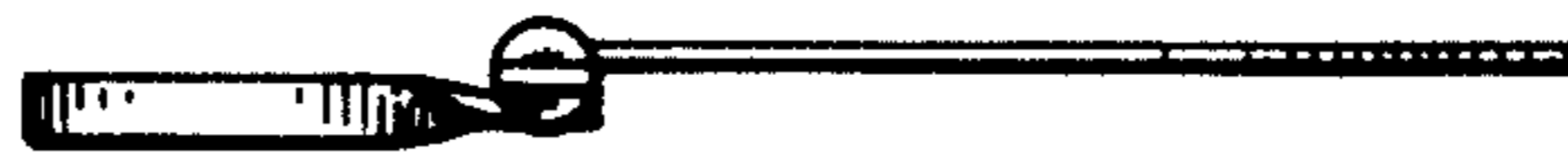


Fig. 4