

[54] PAINT PAD BUCKET

[75] Inventors: Donald R. Cooke, Minneapolis;
Robert I. Janssen, St. Paul, both of
Minn.

[73] Assignee: Padco, Inc., Minneapolis, Minn.

[**] Term: 14 Years

[21] Appl. No.: 779,817

[22] Filed: Mar. 21, 1977

[51] Int. Cl. D7-07

[52] U.S. Cl. D64/18; D7/187

[58] Field of Search D64/18; D7/187;
15/257.06; 220/1 R, 20, 90, 92

[56]

References Cited

U.S. PATENT DOCUMENTS

D. 202,134	8/1965	Bryan	D64/18
2,932,838	4/1960	Ouellette	15/257.06
3,837,034	9/1974	Leffert et al.	15/257.06
4,010,866	3/1977	McClane	D64/18 X

Primary Examiner—Wallace R. Burke
Assistant Examiner—Catherine Kemper
Attorney, Agent, or Firm—Ralph F. Merchant

[57]

CLAIM

The ornamental design for a paint pad bucket, substantially as shown and described.

DESCRIPTION

FIG. 1 is a front perspective view of a paint pad bucket, showing our new design;

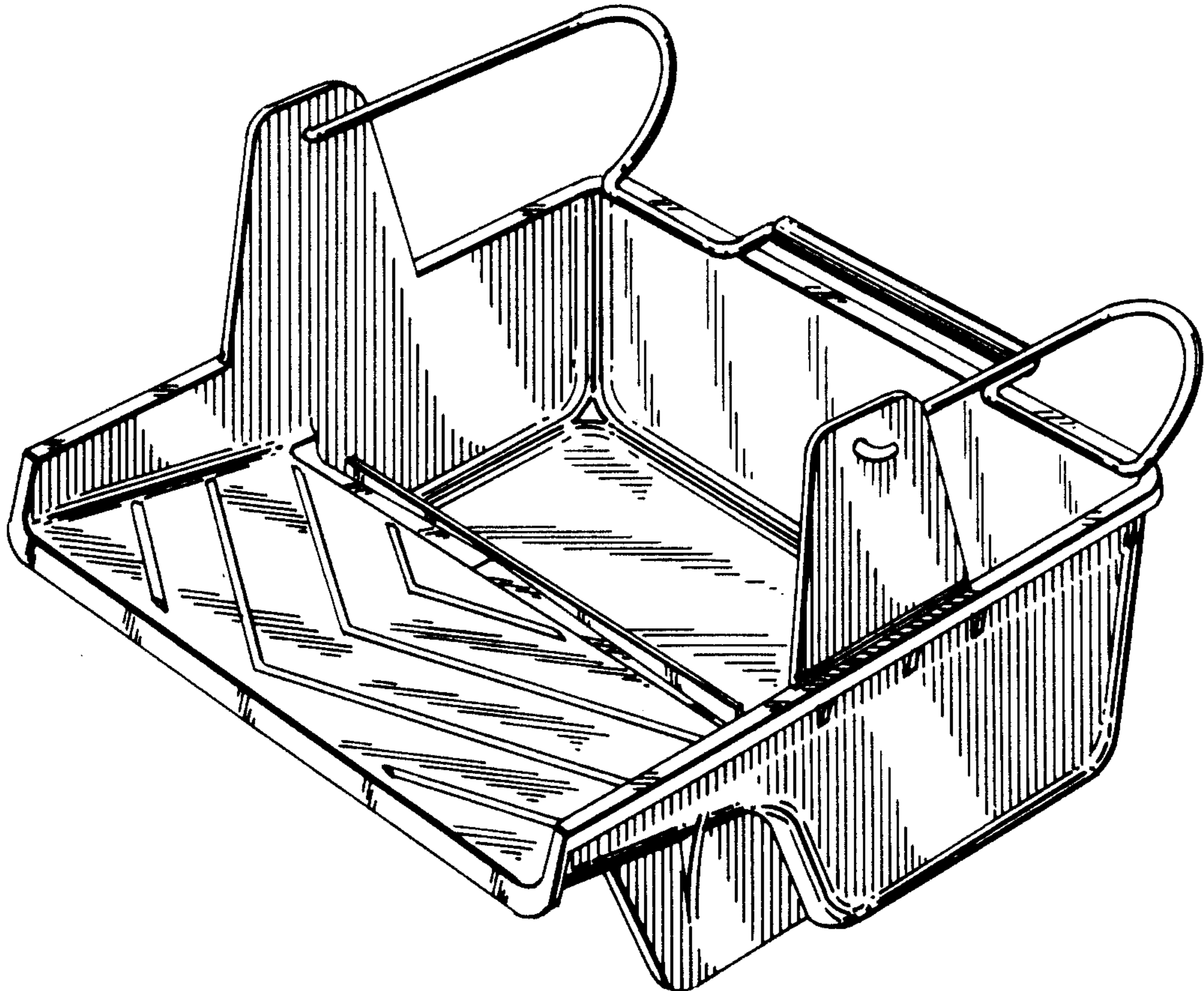
FIG. 2 is a top plan view thereof;

FIG. 3 is a front elevational view thereof;

FIG. 4 is a bottom plan view thereof;

FIG. 5 is a rear elevational view thereof;

FIG. 6 is a left side elevational view thereof.



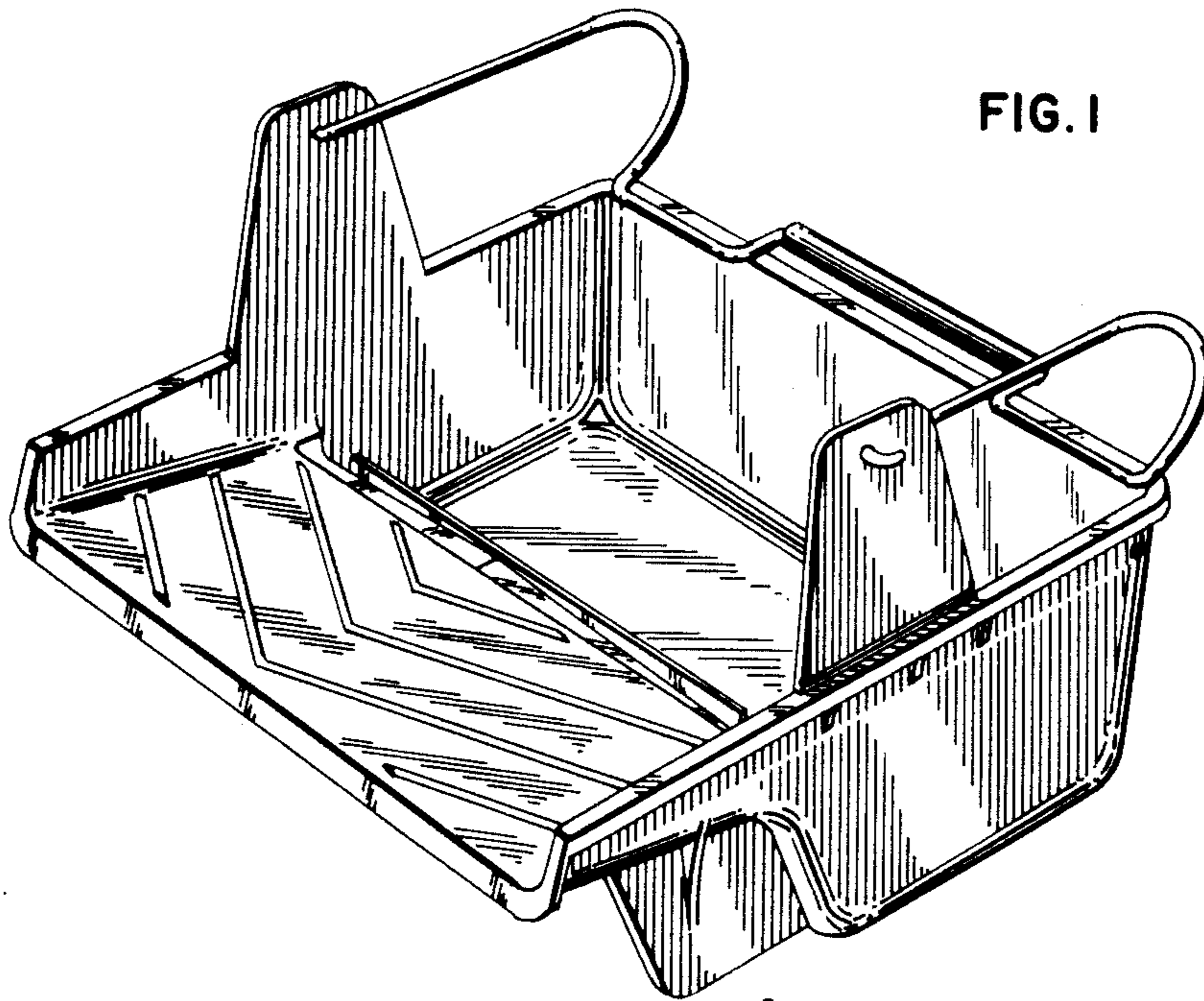


FIG. 1

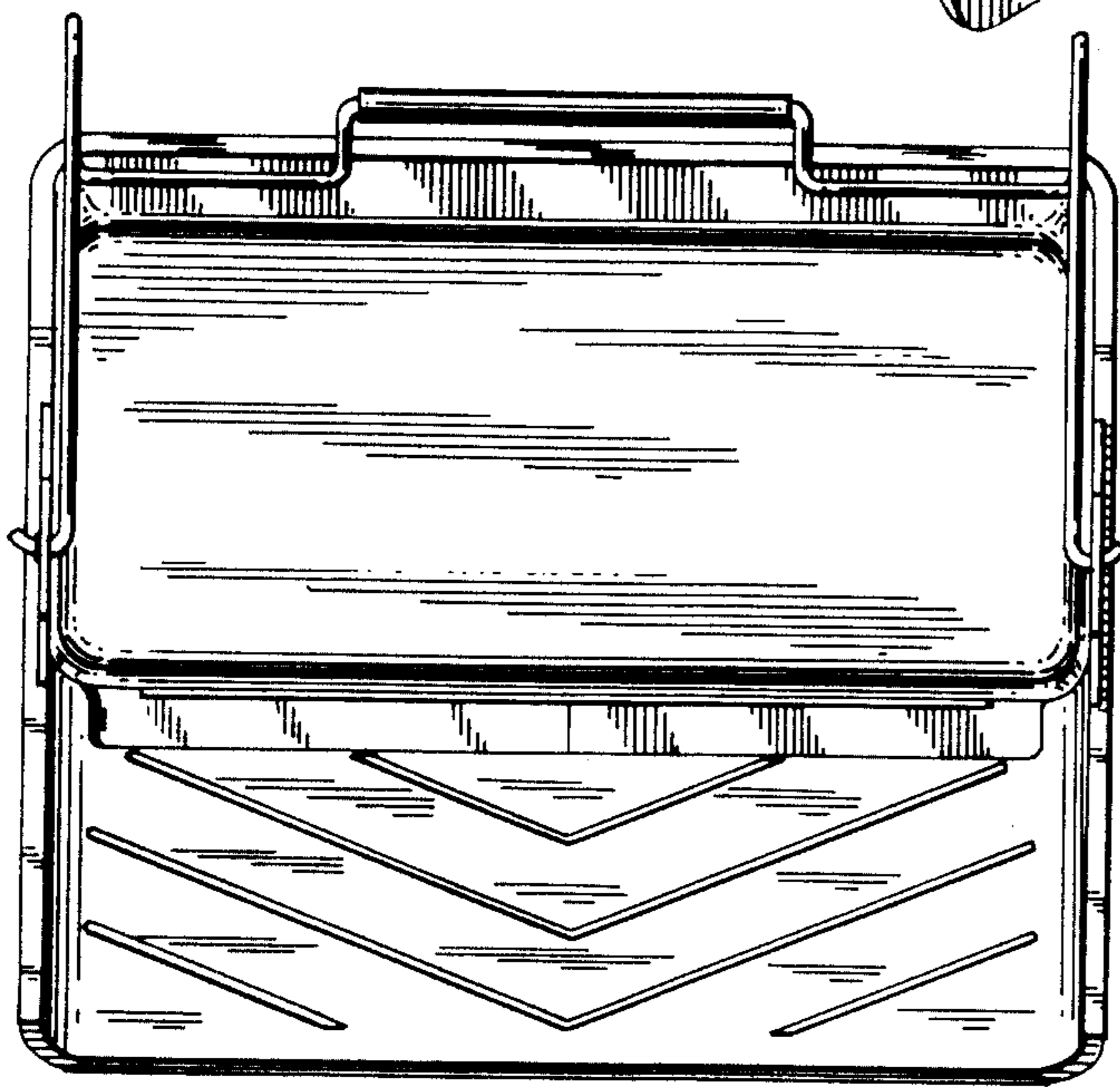


FIG. 2

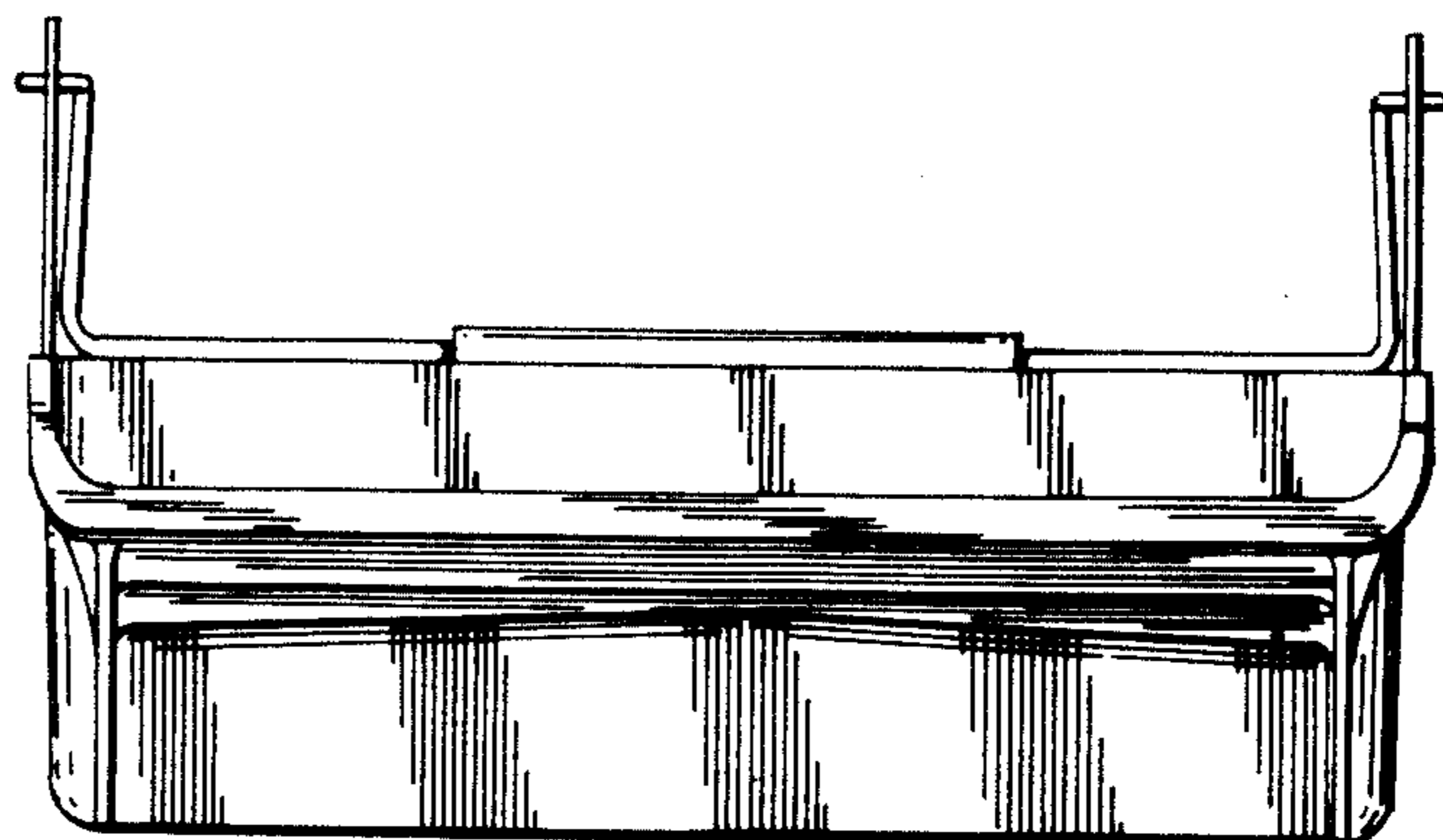


FIG. 3

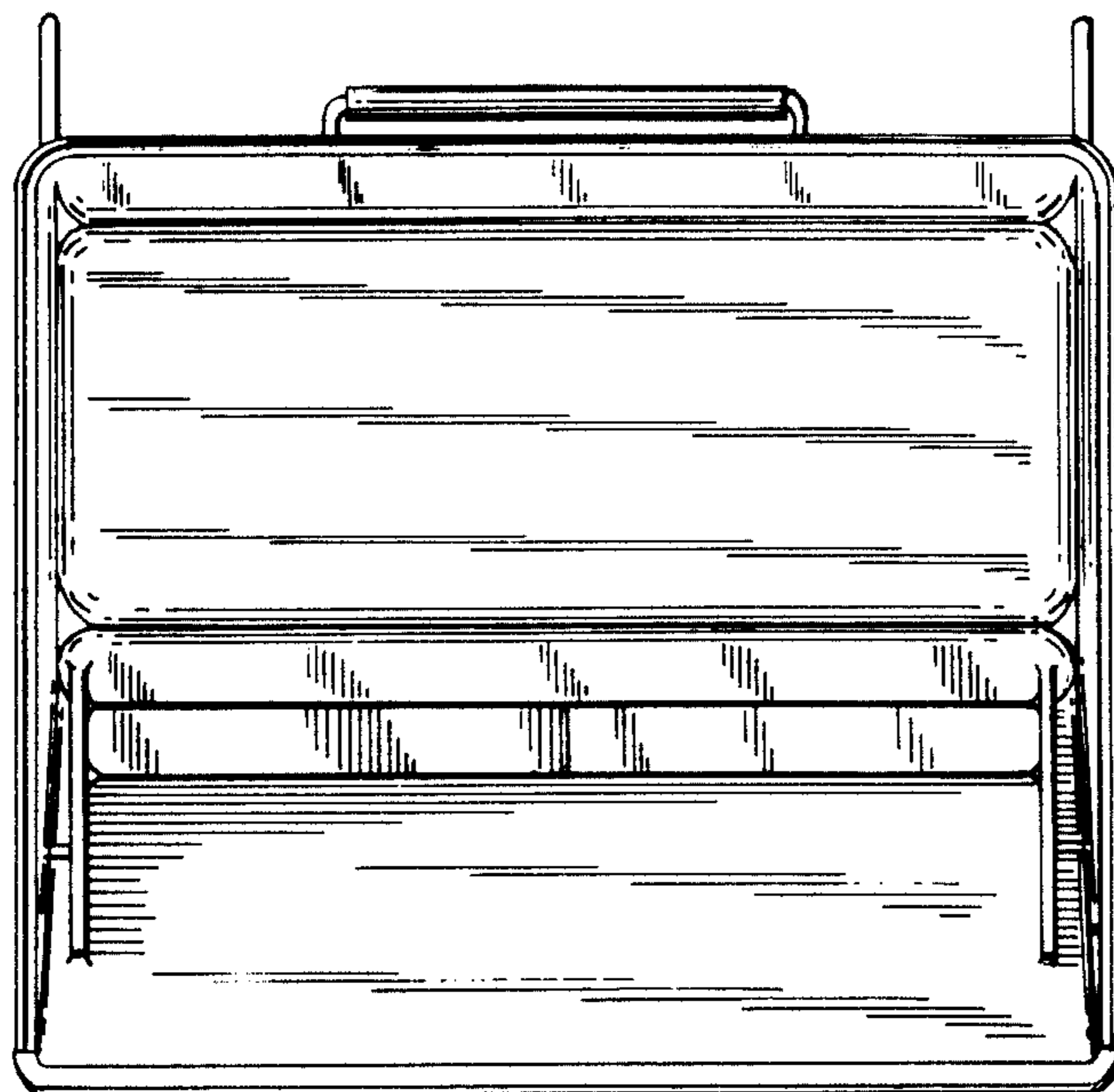


FIG. 4

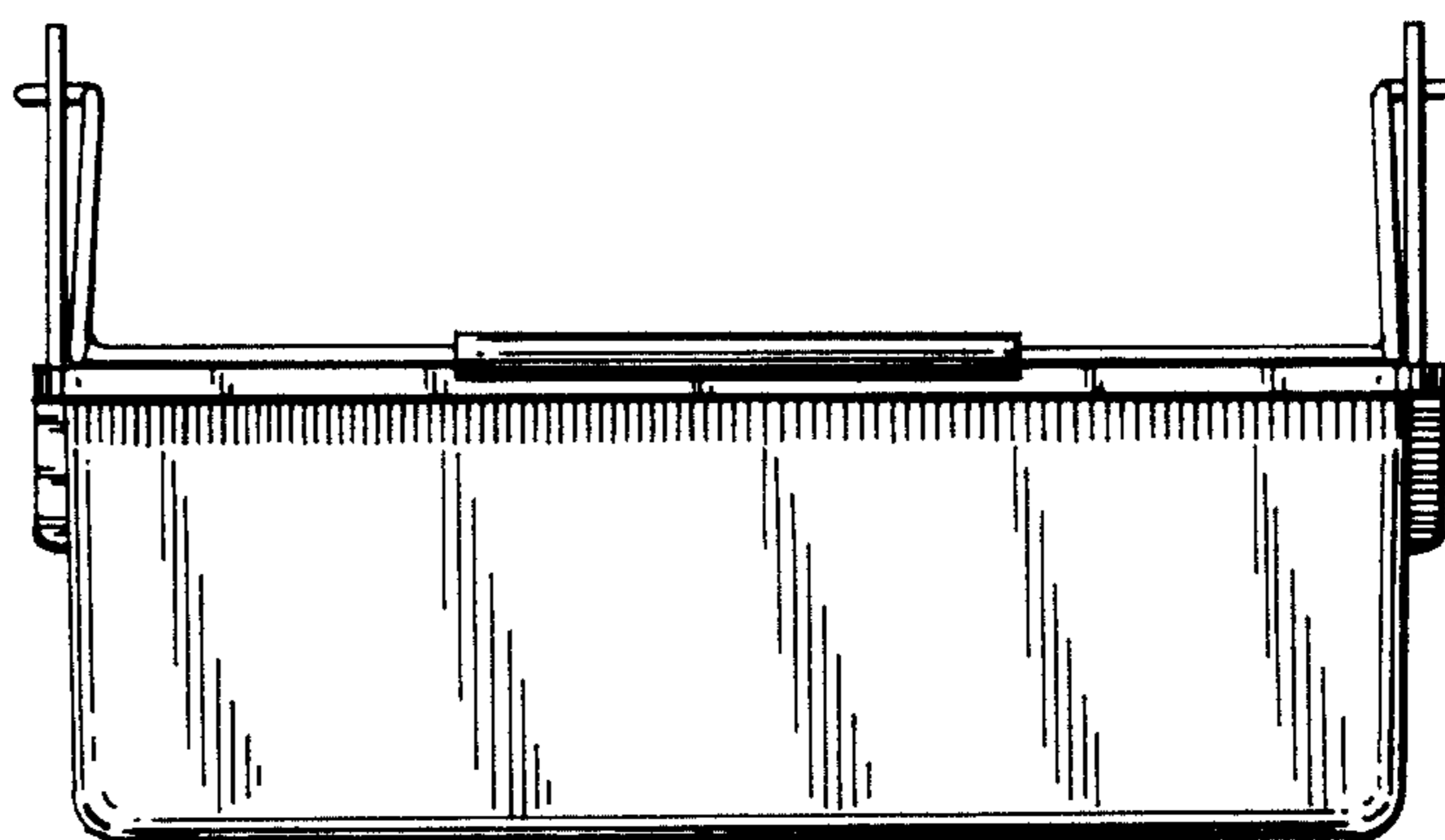


FIG. 5

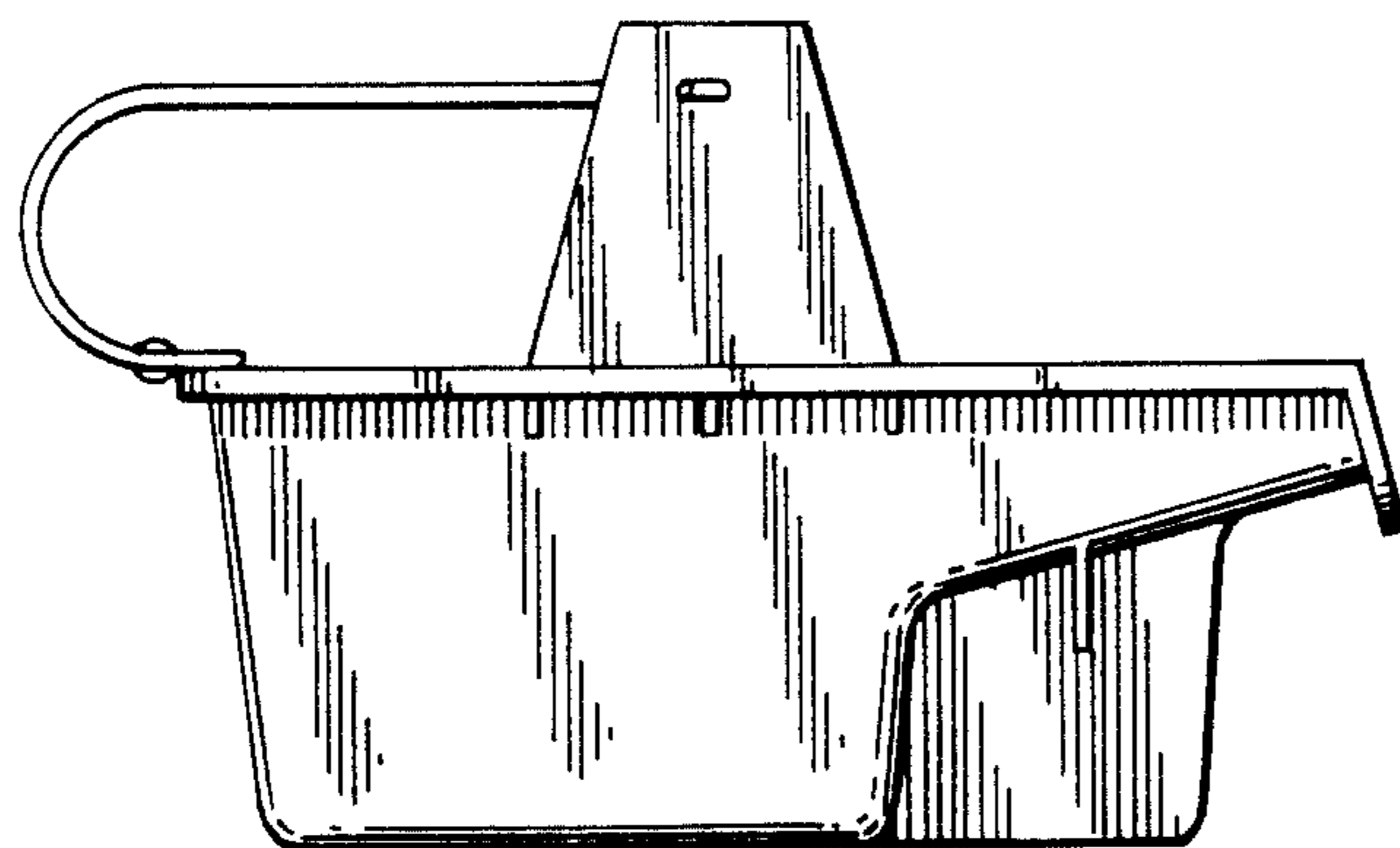


FIG. 6