

[54] COMBINED DOMINO HOLDER AND SCORE COUNTER

[76] Inventors: Rex V. Bailey, deceased, late of Malakoff, Tex., by Hester Caroline Bailey, beneficiary and devisee, P.O. Box 494, Malakoff, Tex. 75148

[**] Term: 14 Years

[21] Appl. No.: 745,346

[22] Filed: Nov. 26, 1976

[51] Int. Cl. D21-01

[52] U.S. Cl. D34/5 MM; D34/13 A; D64/11 B

[58] Field of Search D34/13 A, 5 GP, 5 MM; D6/184; D64/11 R; 273/148 A, 148 R; 35/33, 31 B; 235/68

[56] References Cited

U.S. PATENT DOCUMENTS

D. 242,313	11/1976	Stentz	D6/184
2,804,699	9/1957	Robinson	35/33
3,710,456	1/1973	Jerman	35/31 B

FOREIGN PATENT DOCUMENTS

200,898	2/1956	Australia	273/148 A
---------	--------	-----------------	-----------

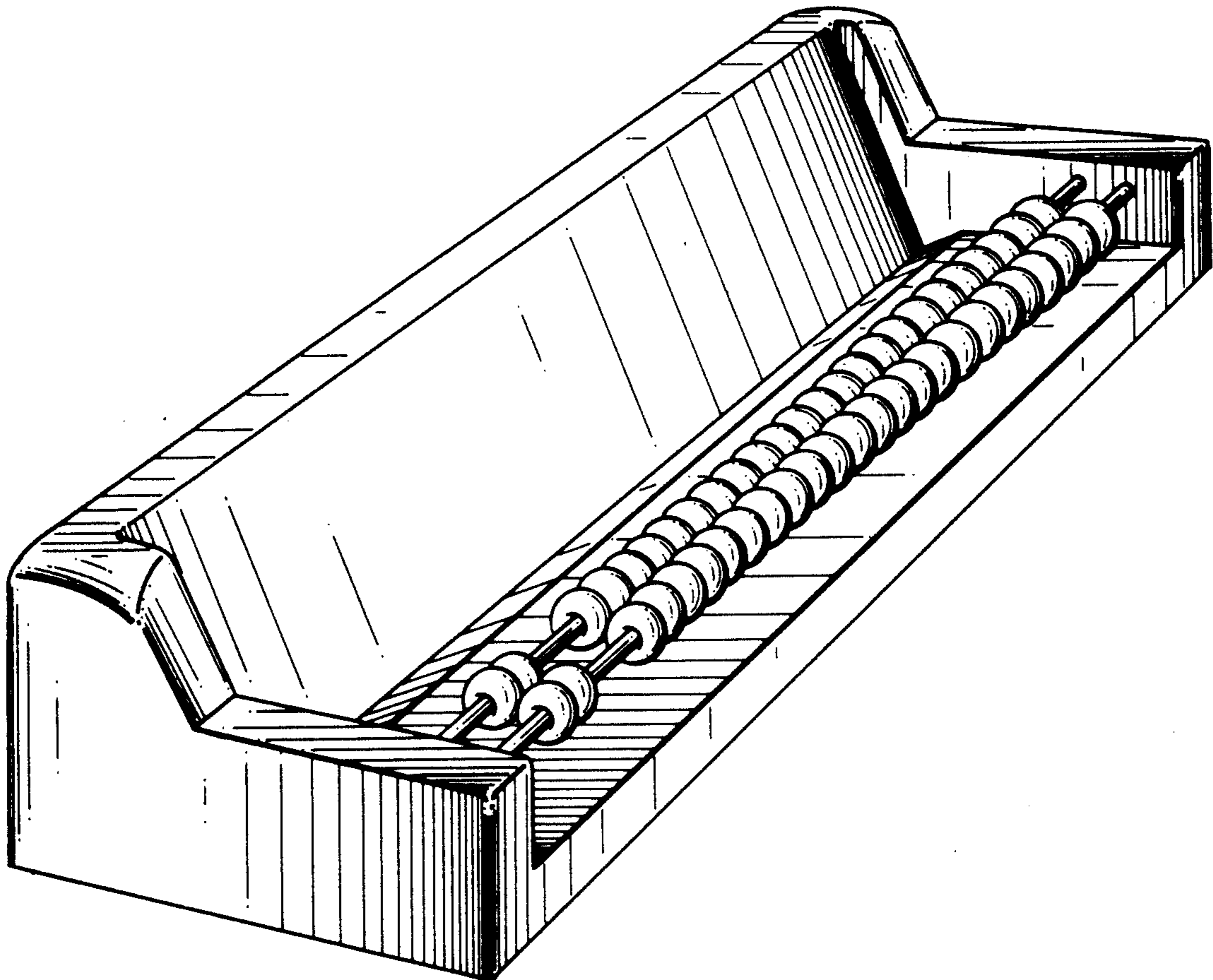
Primary Examiner—Melvin B. Feifer
Attorney, Agent, or Firm—D. Carl Richards

[57] CLAIM

The ornamental design for a combined domino holder and score counter, as shown and described.

DESCRIPTION

FIG. 1 is a perspective view of the combined domino holder and score counter as viewed from the front upper left of the unit showing the new design; FIG. 2 is a perspective view of the combined domino holder and score counter as viewed from the front upper right of the unit; and FIG. 3 is a perspective view of the combined domino holder and score counter as viewed from the rear lower right of the unit.



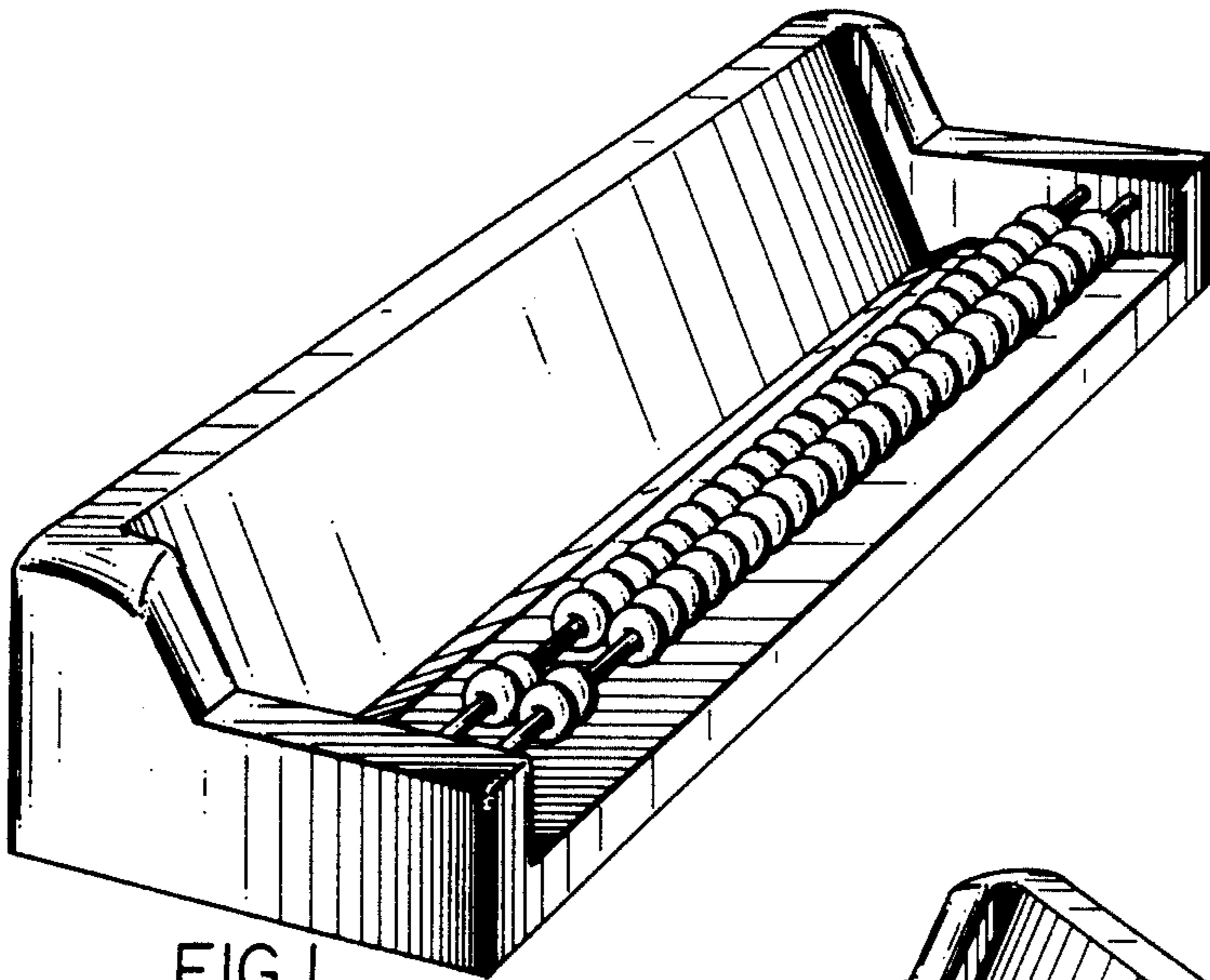


FIG. 1

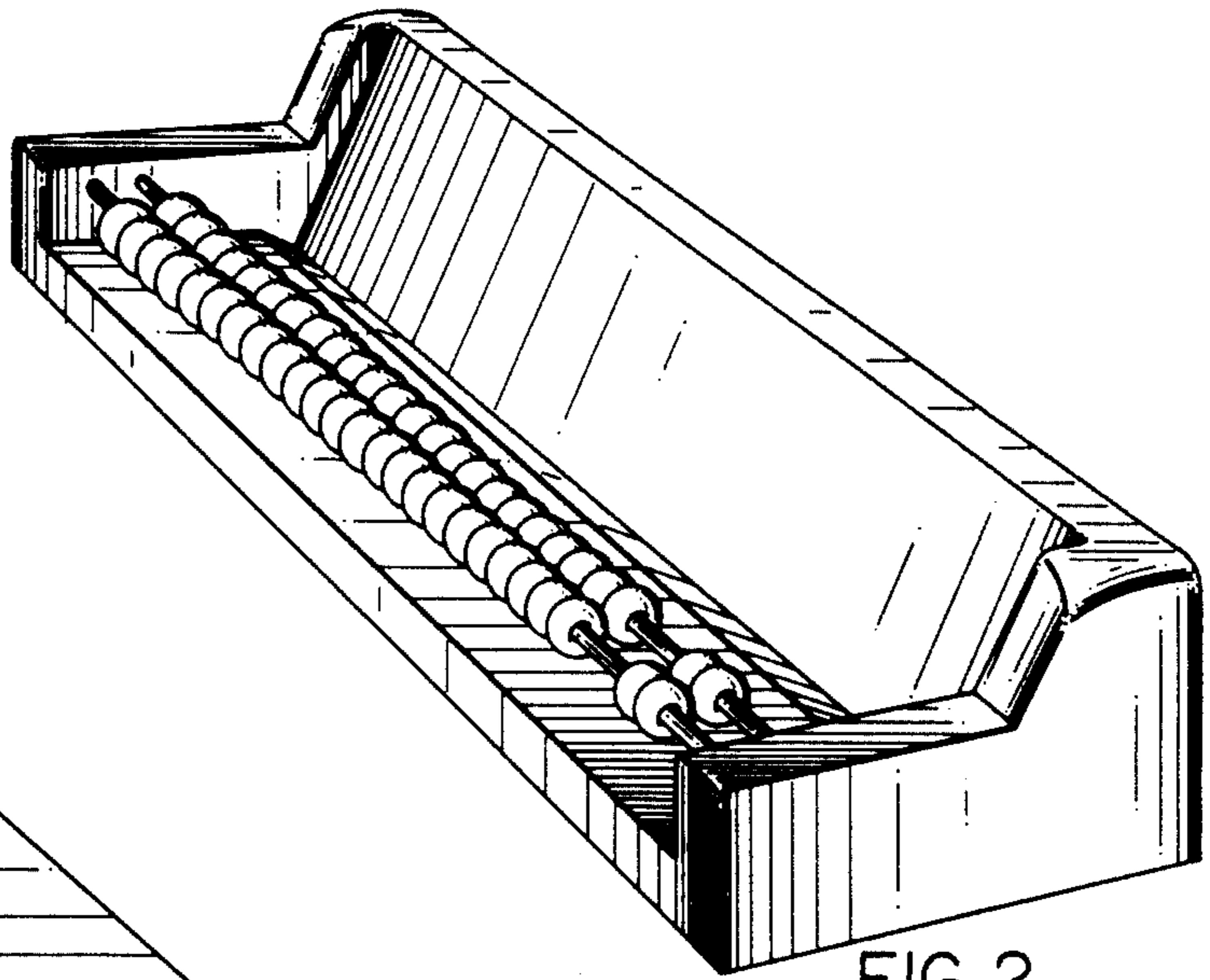


FIG. 2

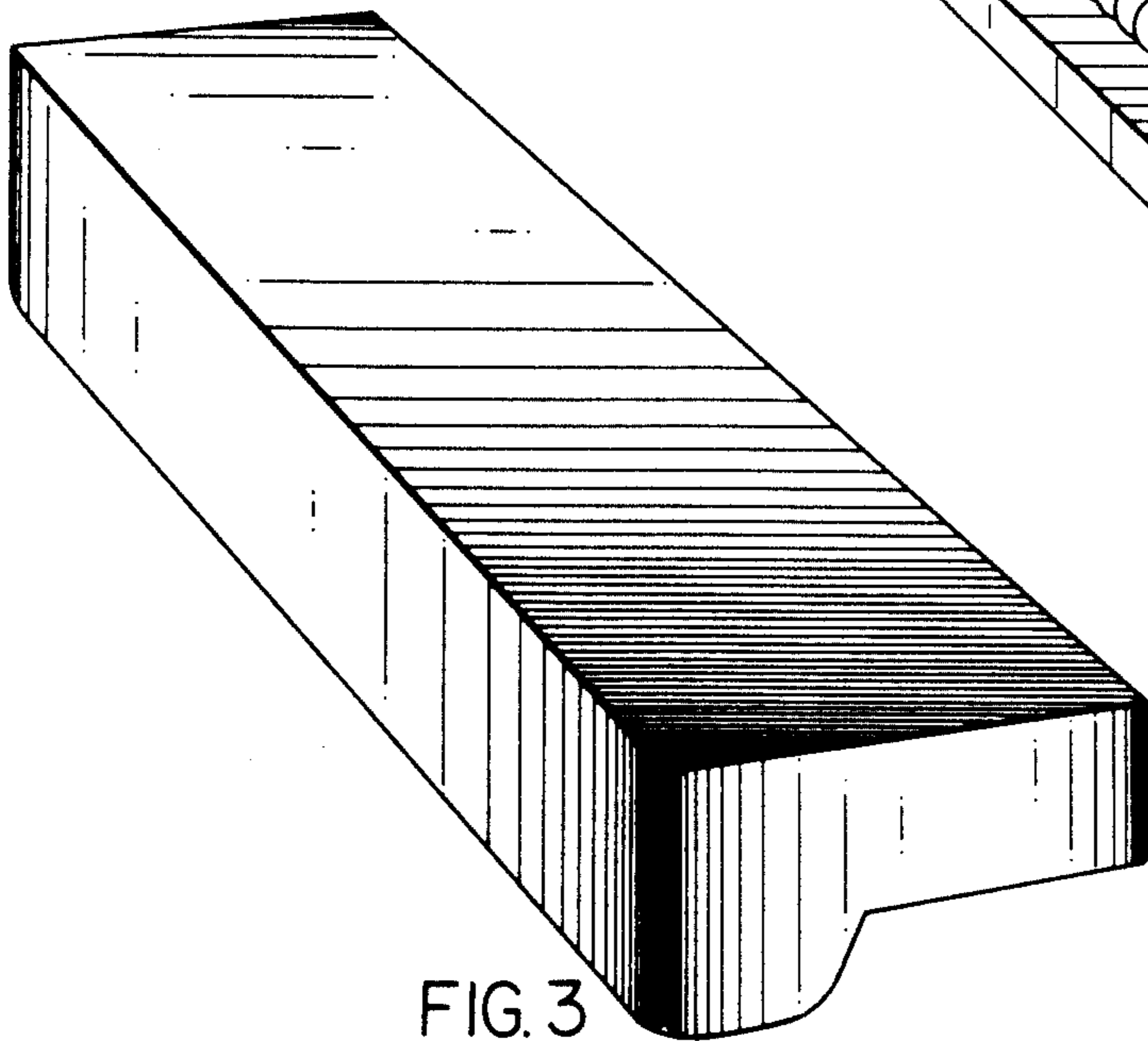


FIG. 3