

[54] BUILDING TRIM  
[76] Inventor: Donald A. South, 44538 State Rte. 14,  
Columbiana, Ohio 44408  
[\*\*] Term: 14 Years  
[21] Appl. No.: 728,445  
[22] Filed: Sep. 30, 1976  
[51] Int. Cl. .... D25-01  
[52] U.S. Cl. .... D25/74  
[58] Field of Search ..... 52/471, 509, 513;  
D25/56, 73, 74, 75, 76, 77, 78, 79

[56] References Cited  
U.S. PATENT DOCUMENTS  
D. 47,309 5/1915 Terrell ..... D25/74

D. 151,022 9/1948 Weber et al. .... D25/74 X  
1,005,885 10/1911 Ross et al. .... D25/74 X

OTHER PUBLICATIONS

Sweet's Architectural Catalog File, 1976, Section  
7.3/Me, p. 10, Gravel Stop and Trim Illustration at left.

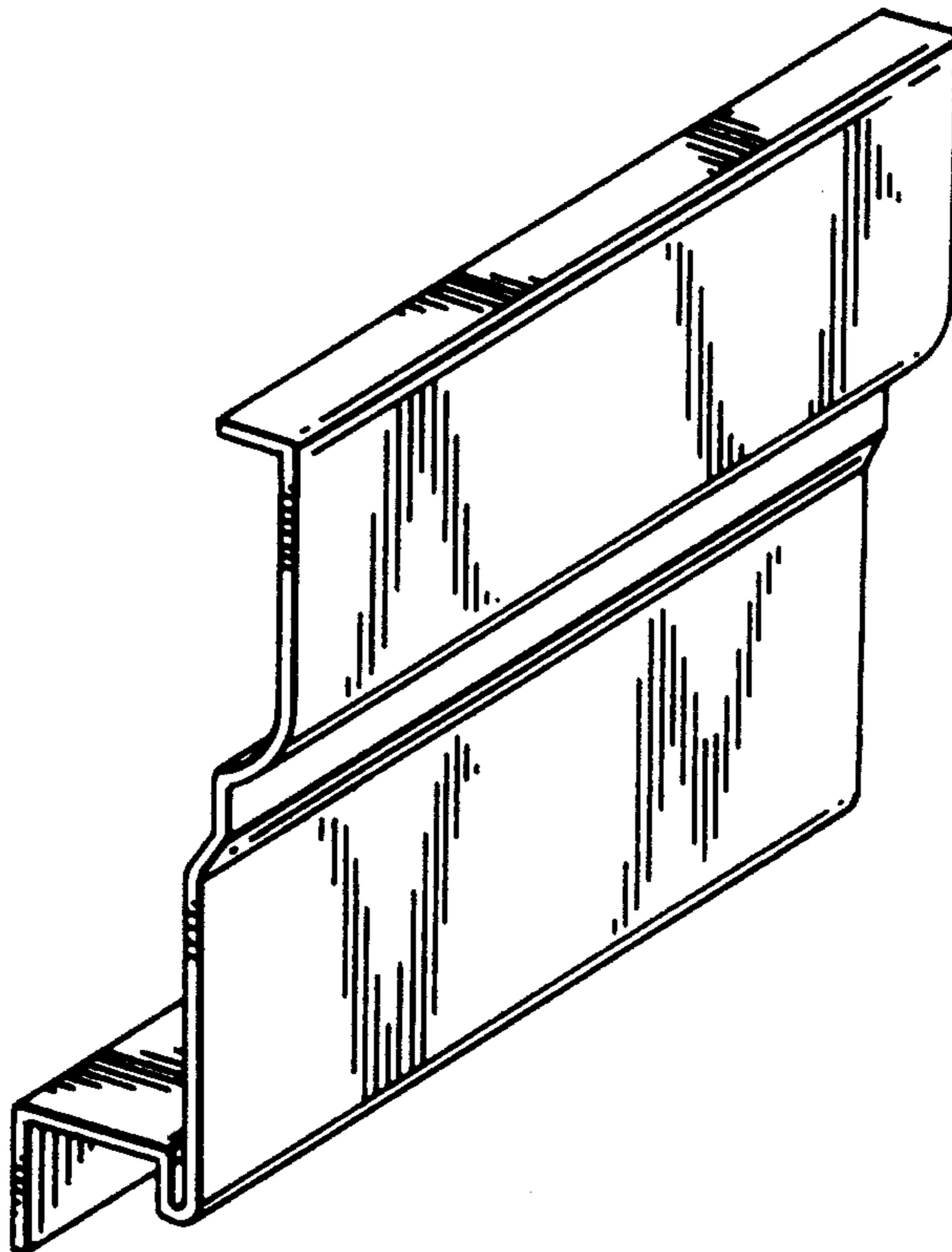
Primary Examiner—A. Hugo Word  
Attorney, Agent, or Firm—Webster B. Harpman

[57] CLAIM

The ornamental design for a building trim, as shown.

DESCRIPTION

FIG. 1 is a perspective elevation of a building trim  
showing my new design;  
FIG. 2 is an end elevation thereof; and  
FIG. 3 is a rear elevation thereof.



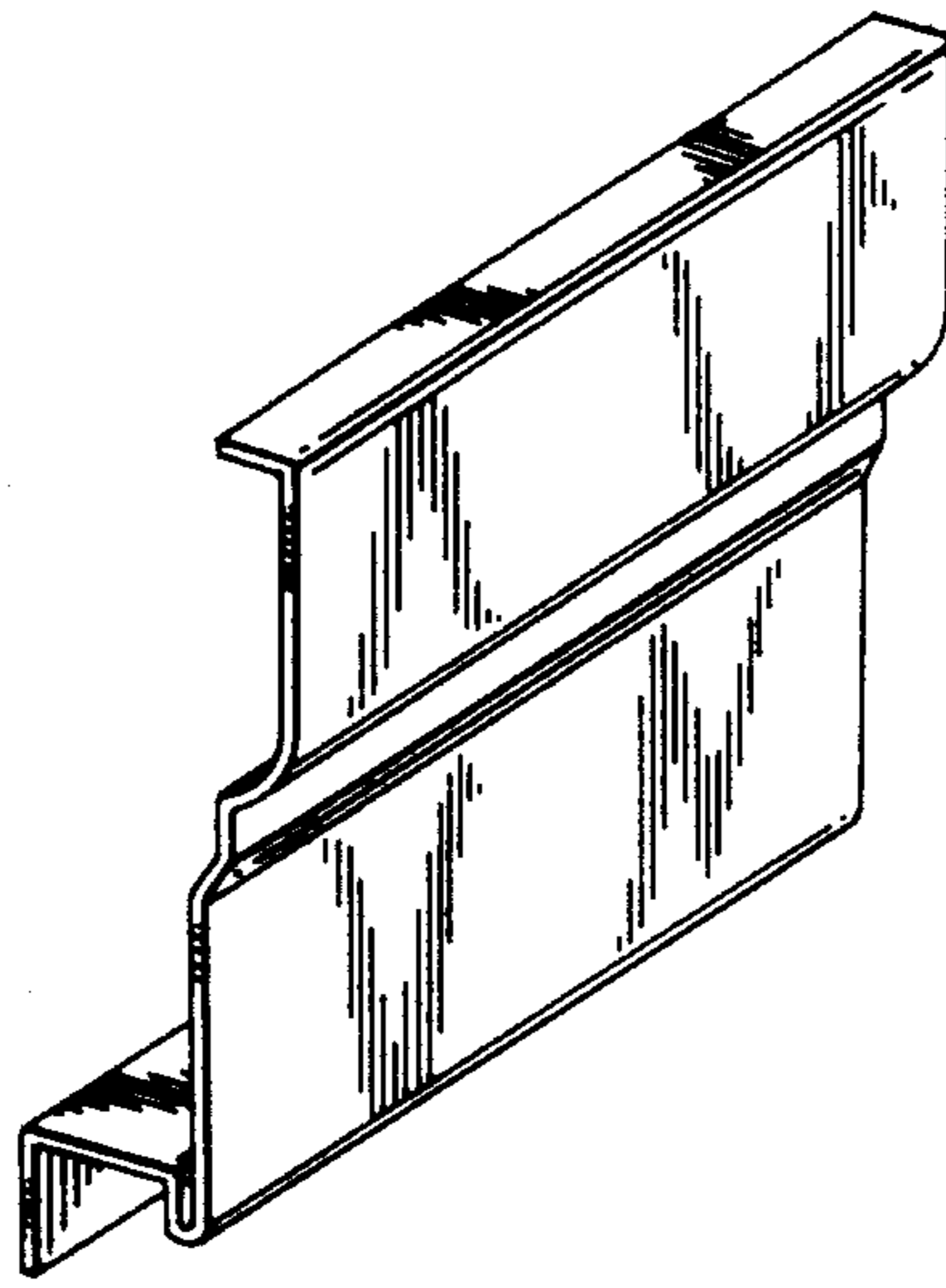


FIG. 1

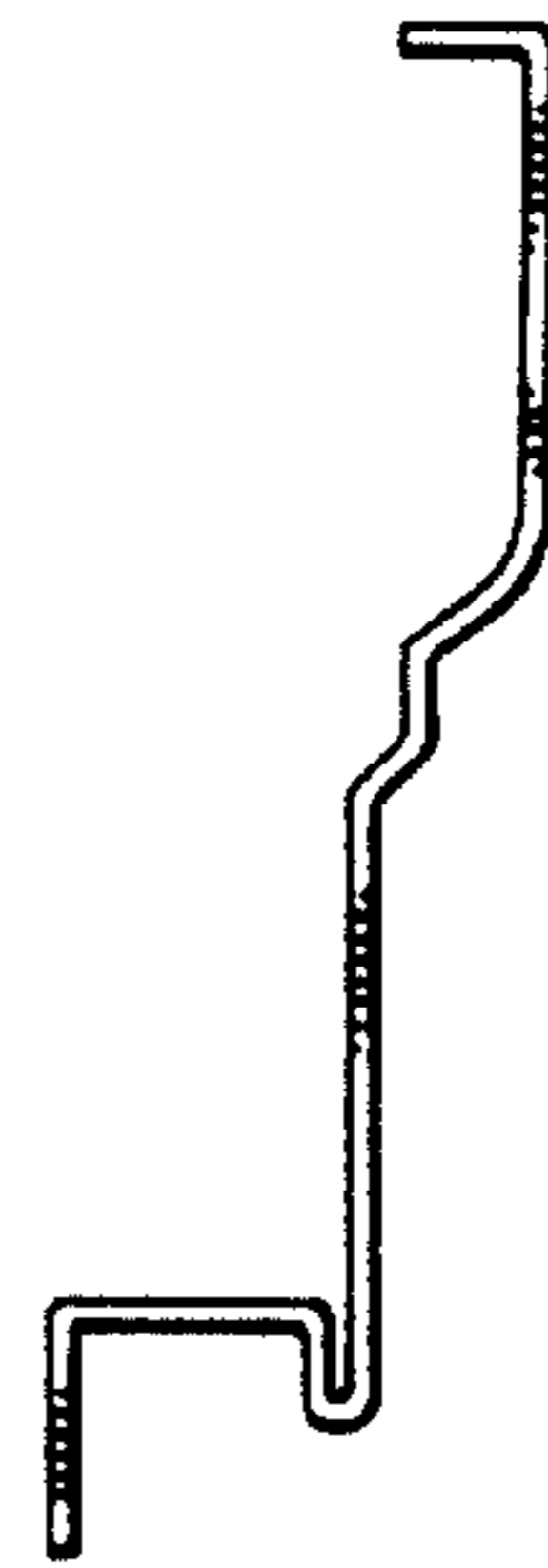


FIG. 2

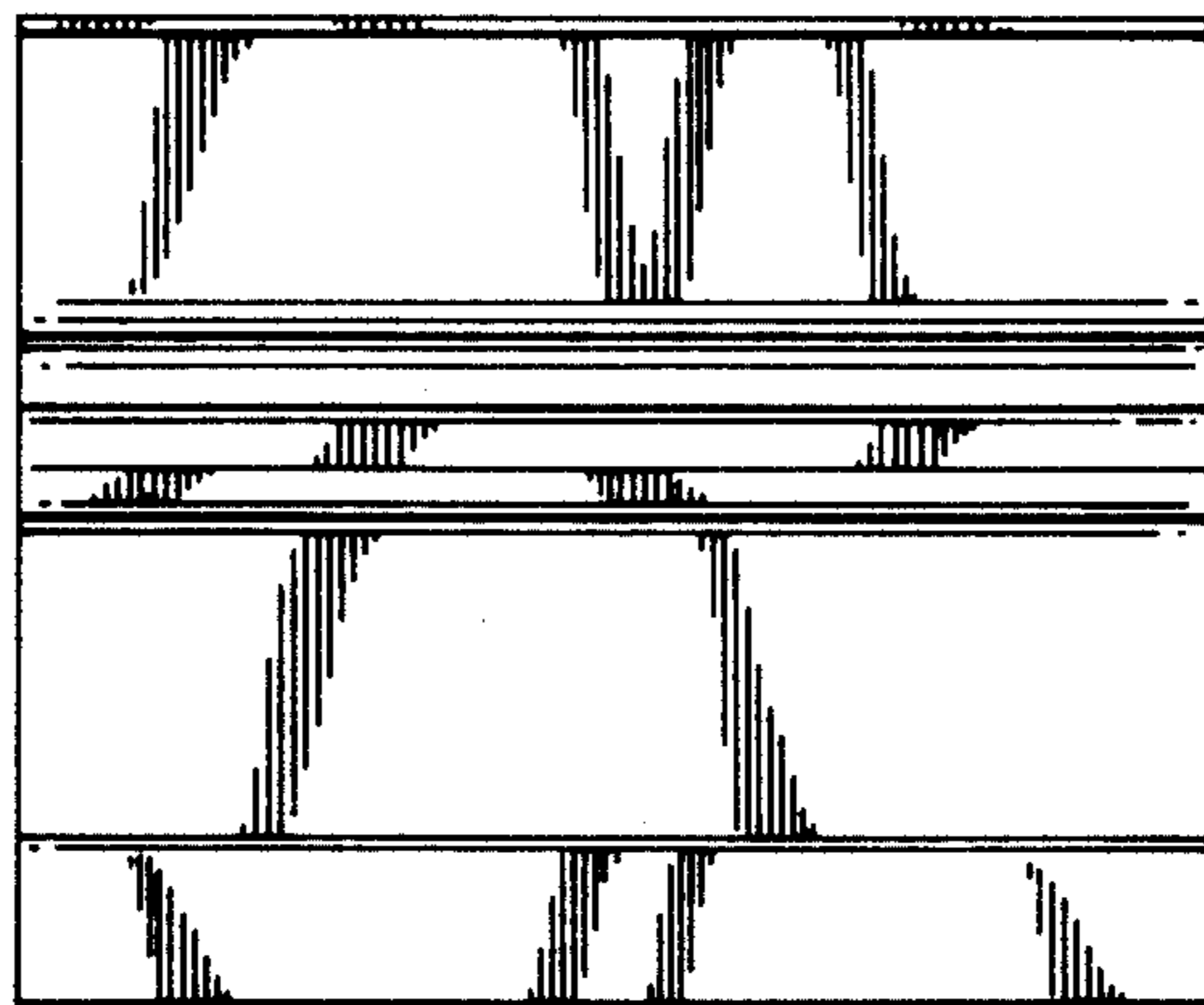


FIG. 3