

[54] GUN SIGHT

[76] Inventor: **Borge Hestehave**, 8031 Beechwood Dr., Alta Loma, Calif. 90701

[**] Term: **14 Years**

[21] Appl. No.: **398,467**

[22] Filed: **Sep. 18, 1973**

[51] Int. Cl. **D22-01**

[52] U.S. Cl. **D22/8**

[58] Field of Search **33/233, 234, 245; D22/8, 6, 7**

[56] **References Cited**

U.S. PATENT DOCUMENTS

D. 173,263 10/1954 Fink D22/8

D. 201,368	6/1965	Erskine	D22/8
D. 232,828	9/1974	Kwako	D22/8
3,112,567	12/1963	Flanagan	33/234
3,886,667	6/1975	Rueb	33/233

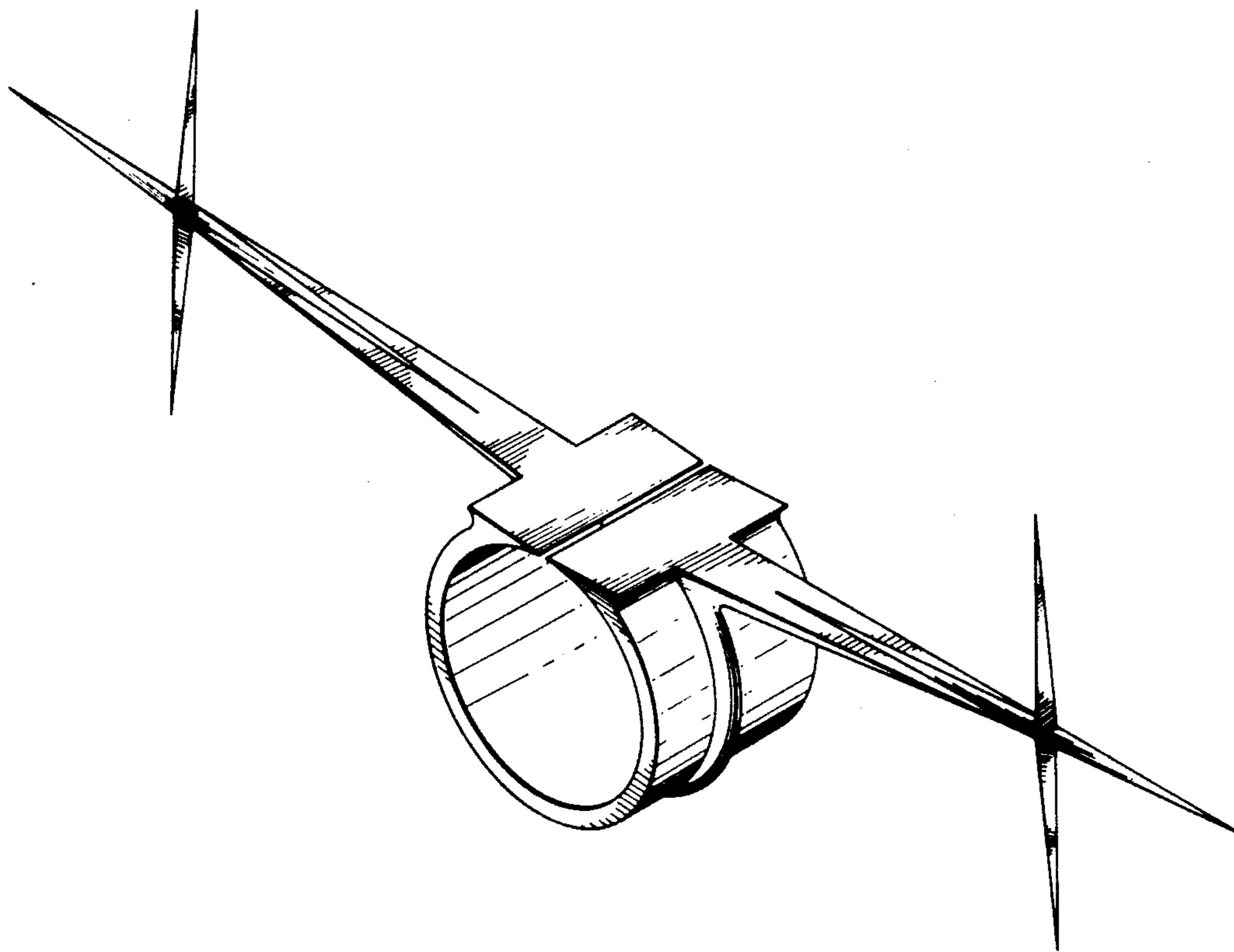
Primary Examiner—A. Hugo Word
Attorney, Agent, or Firm—Paul M. Craig, Jr.

[57] **CLAIM**

The ornamental design for a gun sight, as shown and described.

DESCRIPTION

FIG. 1 is an oblique view from above and facing one end of a gun sight embodying my novel design; FIG. 2 is a side view of the gun sight illustrated in FIG. 1; FIG. 3 is a top view of the gun sight of FIG. 1; and FIG. 4 is an end view of a gun sight of FIG. 1.



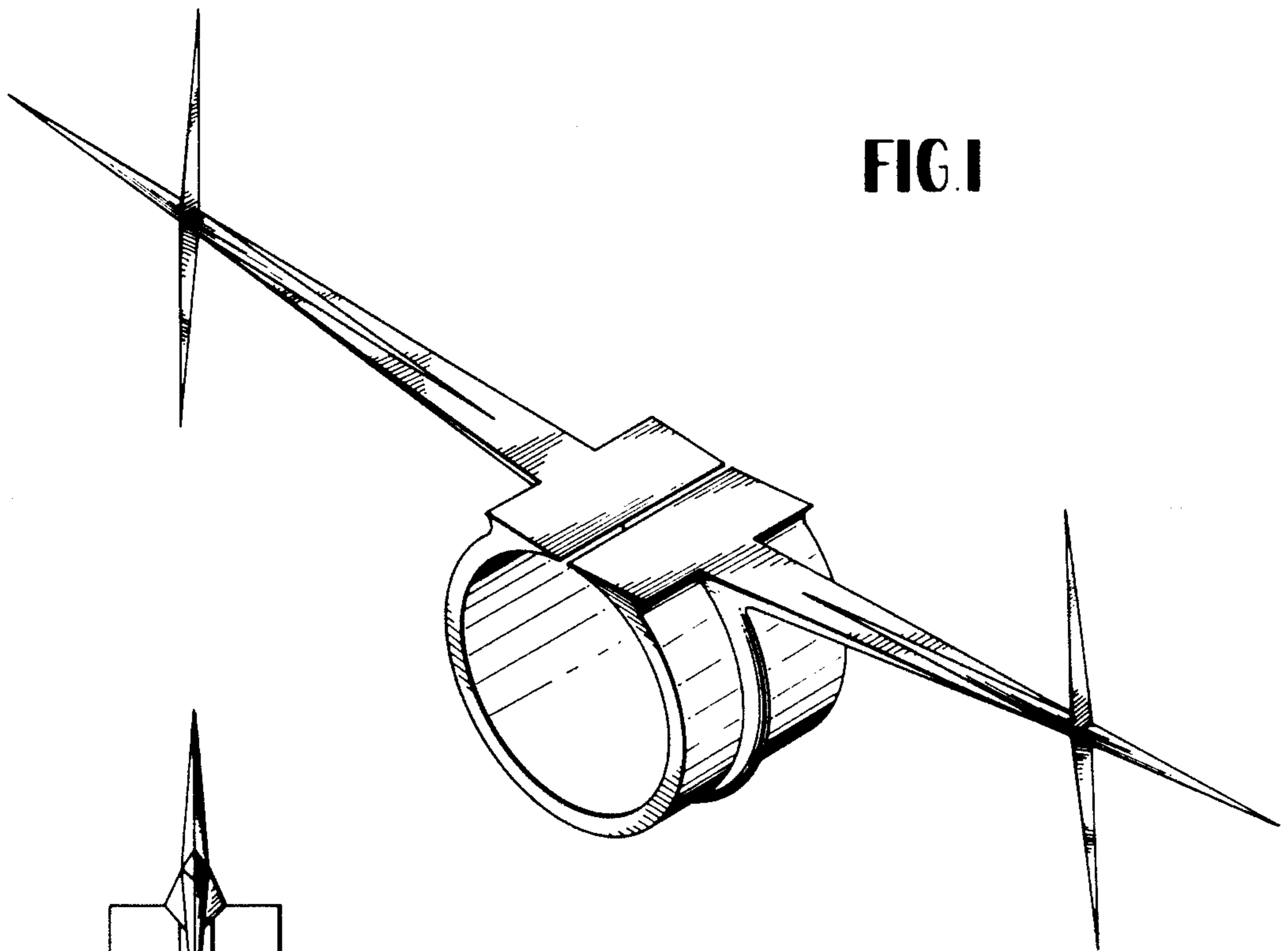


FIG. 1

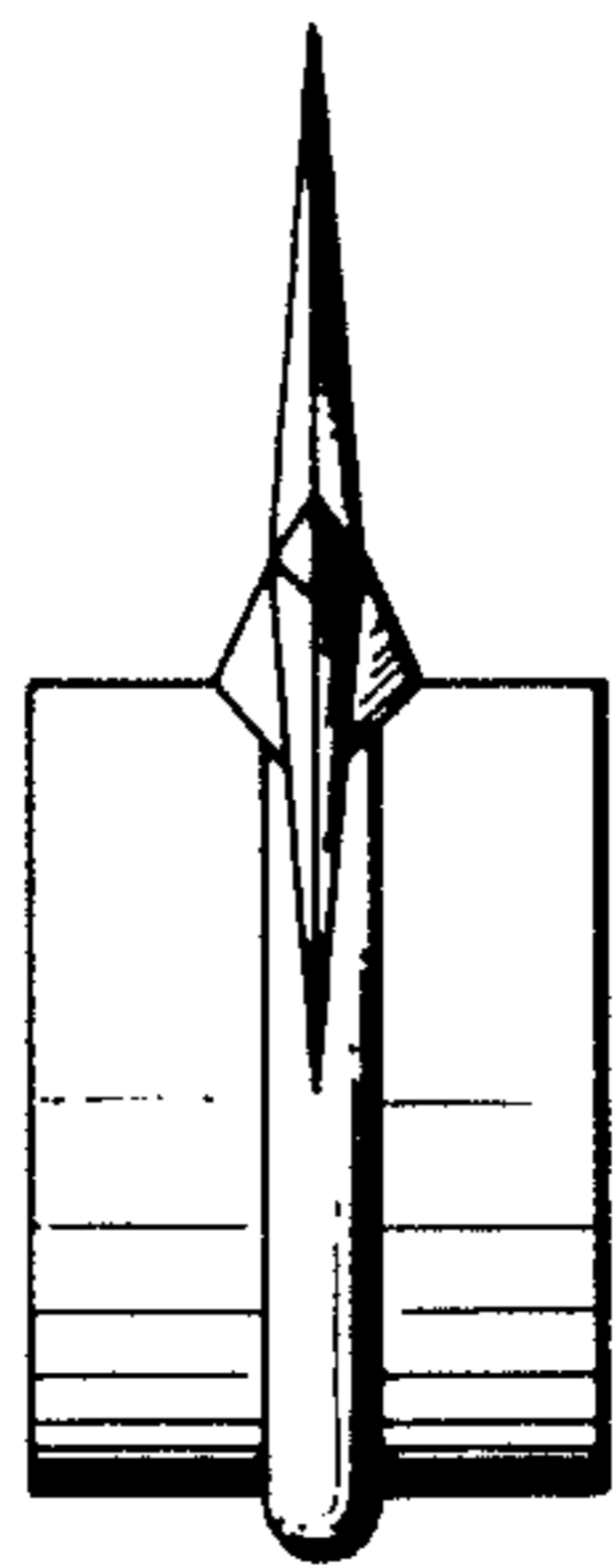


FIG. 2

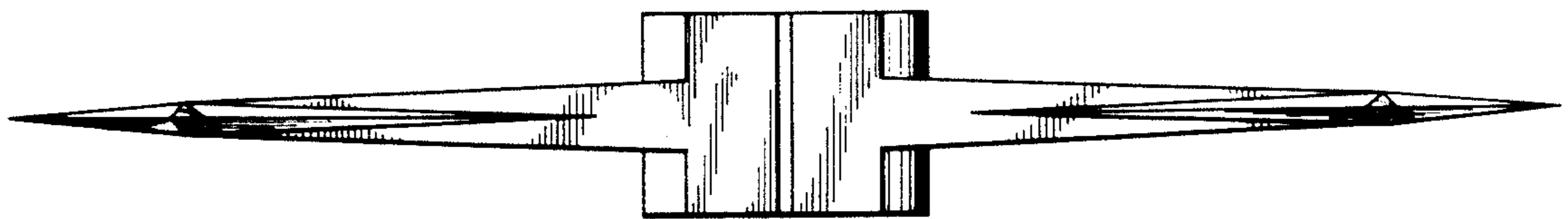


FIG. 3

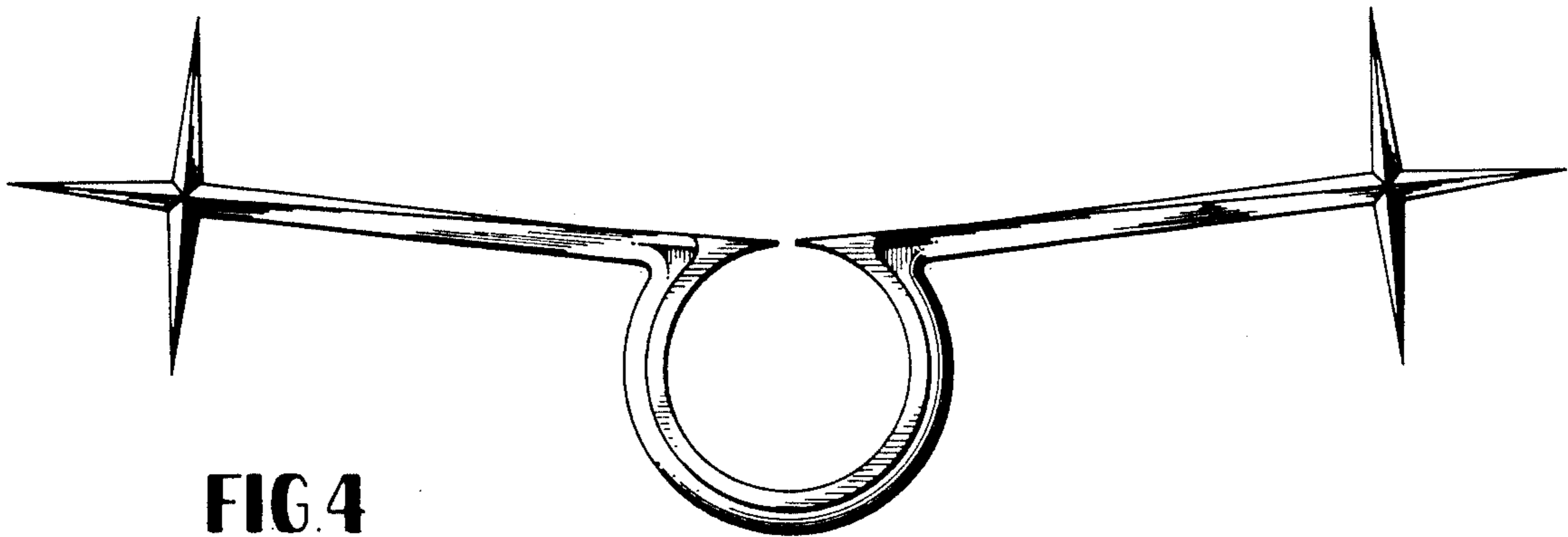


FIG. 4