

[54] TABLE FOR PORTABLE CUTTING TOOLS

[75] Inventors: Wilfred M. McCord, Jr.; Boyko G. Varney, both of Louisville, Ky.

[73] Assignee: Vermont American Corporation, Louisville, Ky.

[\*\*] Term: 14 Years

[21] Appl. No.: 720,108

[22] Filed: Sep. 3, 1976

[51] Int. Cl. .... D15-09

[52] U.S. Cl. .... D15/127; D15/141

[58] Field of Search ..... D15/141, 133, 122, 127

[56] References Cited

U.S. PATENT DOCUMENTS

D. 105,621 8/1937 Tautz ..... D15/127

OTHER PUBLICATIONS

Mall Portable Power Tools Catalog 10, May 25, 1953, p. 37, Saw Table on page.

Primary Examiner—Alan P. Douglas  
Attorney, Agent, or Firm—Harry B. O'Donnell, III

[57] CLAIM

The ornamental design for a table for portable cutting tools, as shown.

DESCRIPTION

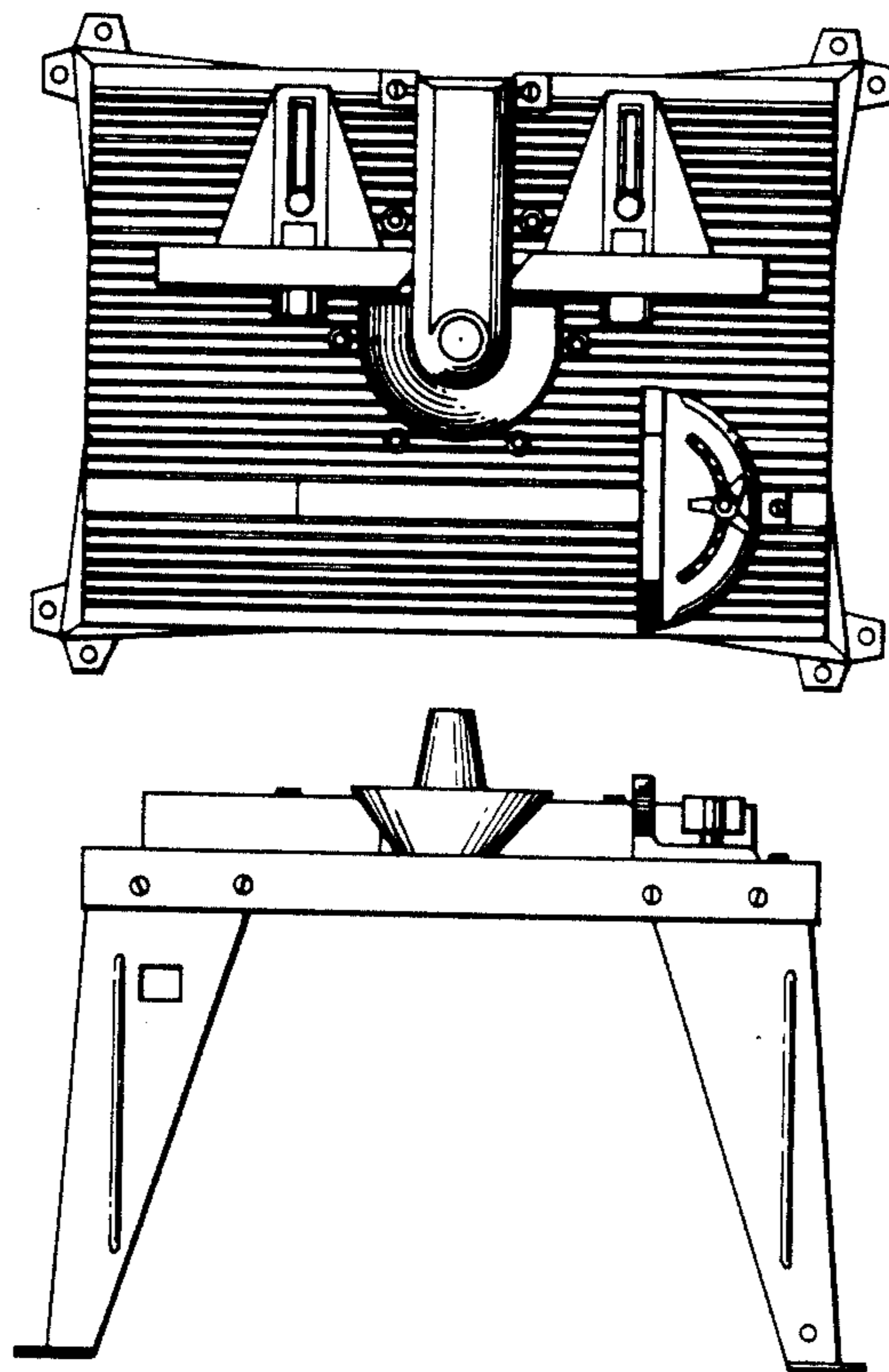
FIG. 1 is a top plan view of a table for portable cutting tools, showing our new design;

FIG. 2 is a front elevational view thereof;

FIG. 3 is a rear elevational view thereof;

FIG. 4 is a somewhat enlarged right-end elevational view thereof; and

FIG. 5 is a somewhat enlarged left-end elevational view thereof.



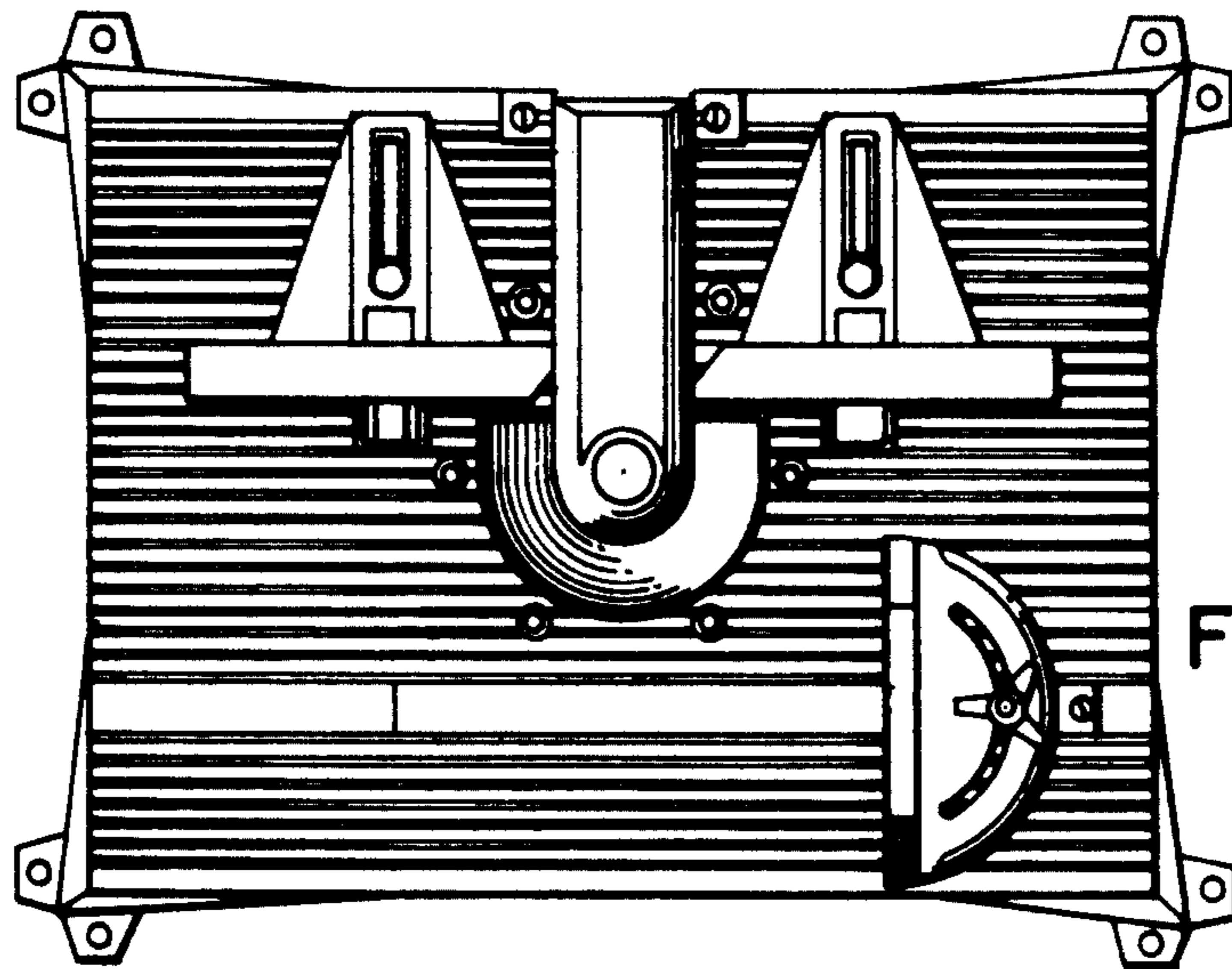


Fig. 1

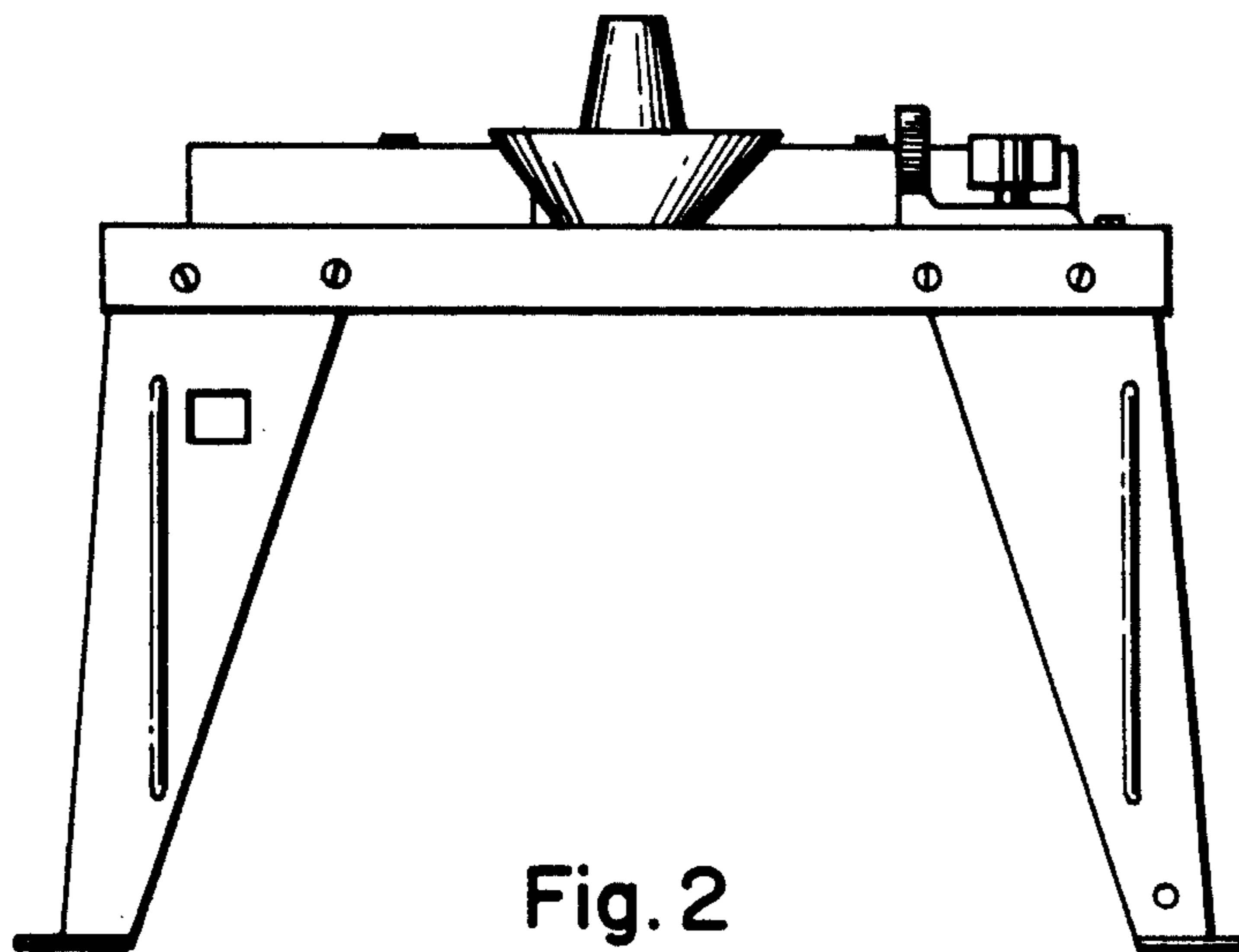


Fig. 2

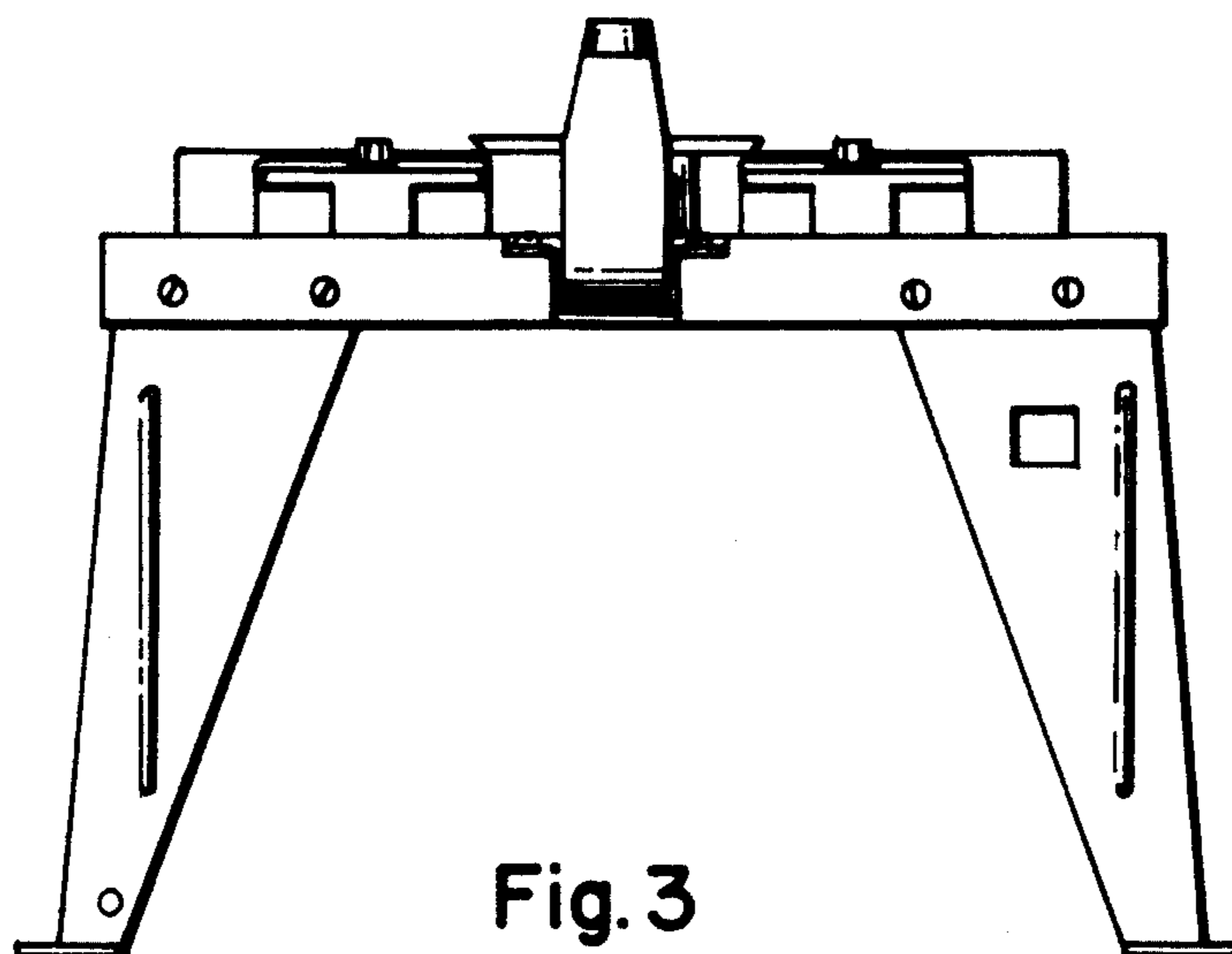


Fig. 3

