

[54] GROUND SCRAPER FOR CLOSING
DITCHES AND THE LIKE

2,856,709 10/1958 Brockly 172/786
3,424,251 1/1969 Bouley 172/701
3,797,582 3/1974 Couch 172/786

[76] Inventor: Richard D. Zoller, 124 Florimond
Dr., Colusa, Calif. 95923

Primary Examiner—Wallace R. Burke
Assistant Examiner—James M. Gandy
Attorney, Agent, or Firm—Robert G. West

[**] Term: 14 Years

[21] Appl. No.: 738,831

[57] CLAIM

[22] Filed: Nov. 4, 1976

The ornamental design for a ground scraper for closing
ditches and the like, as shown.

[51] Int. Cl. D15-04

DESCRIPTION

[52] U.S. Cl. D15/32

[58] Field of Search D15/32; 172/701, 786,
172/642, 686, 694, 767

FIG. 1 is a front elevational view of a ground scraper
for closing ditches and the like, showing my new de-
sign;

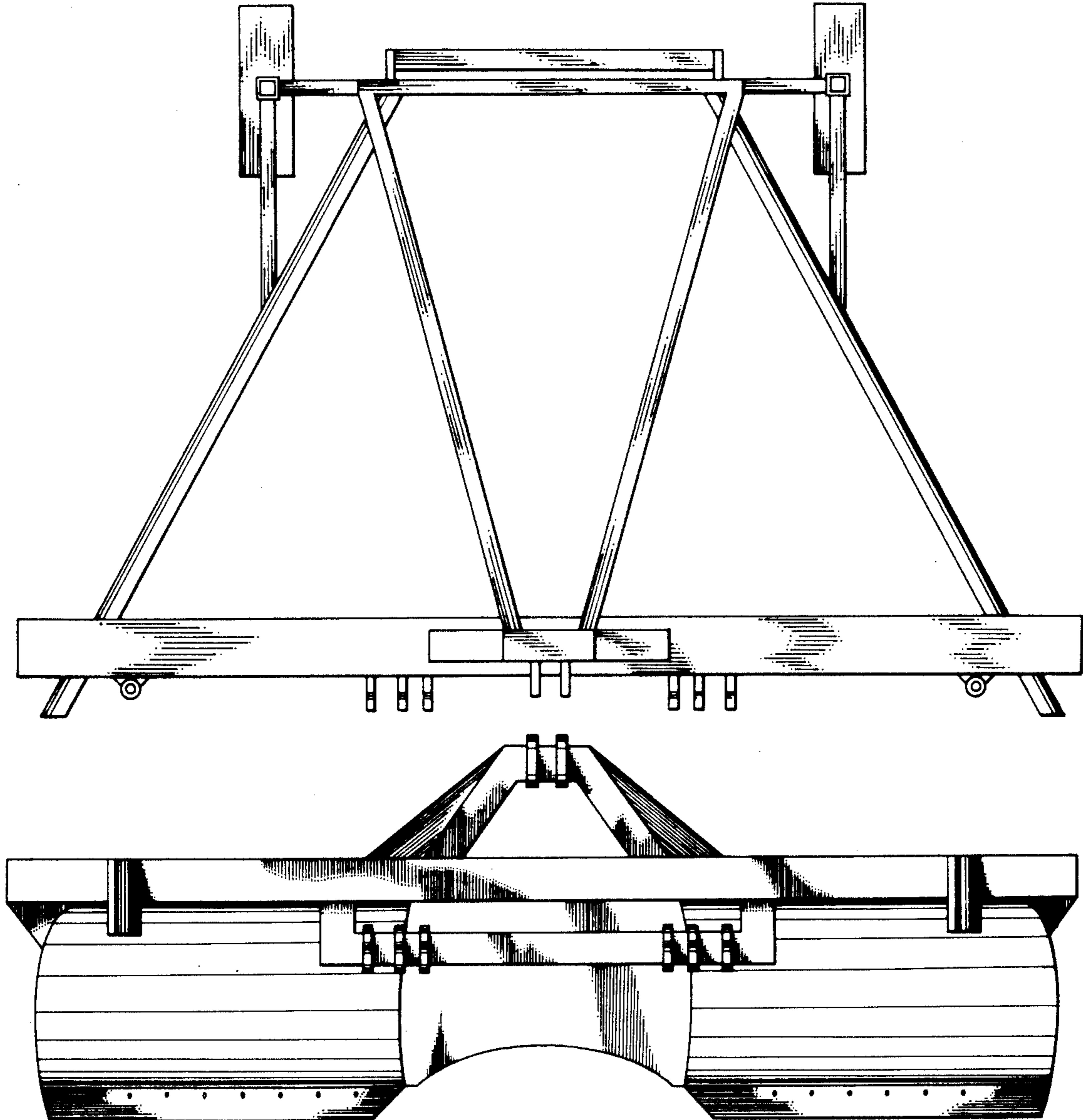
FIG. 2 is a rear elevational view thereof;

FIG. 3 is a top plan view thereof; and,

FIG. 4 is an elevational view of the right hand side of
FIG. 1, the left hand side being a mirror image thereof.

[56] References Cited
U.S. PATENT DOCUMENTS

2,644,252 7/1953 Brown 172/786



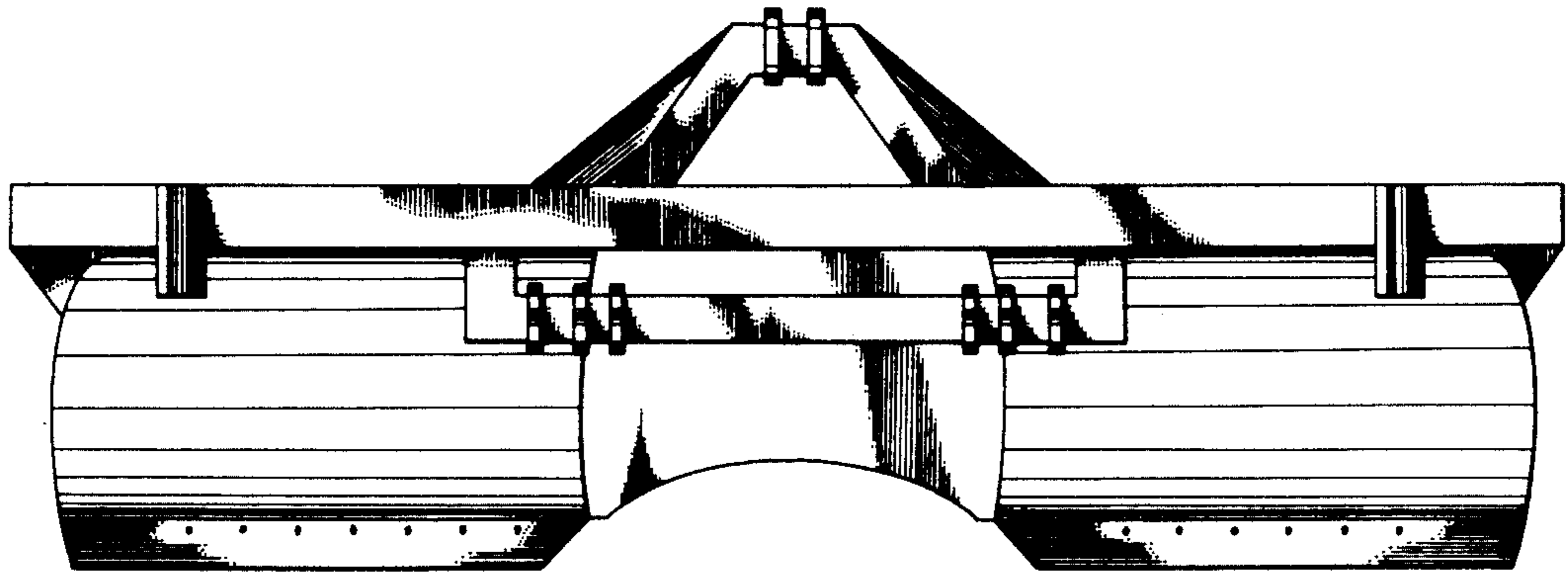


FIG 1

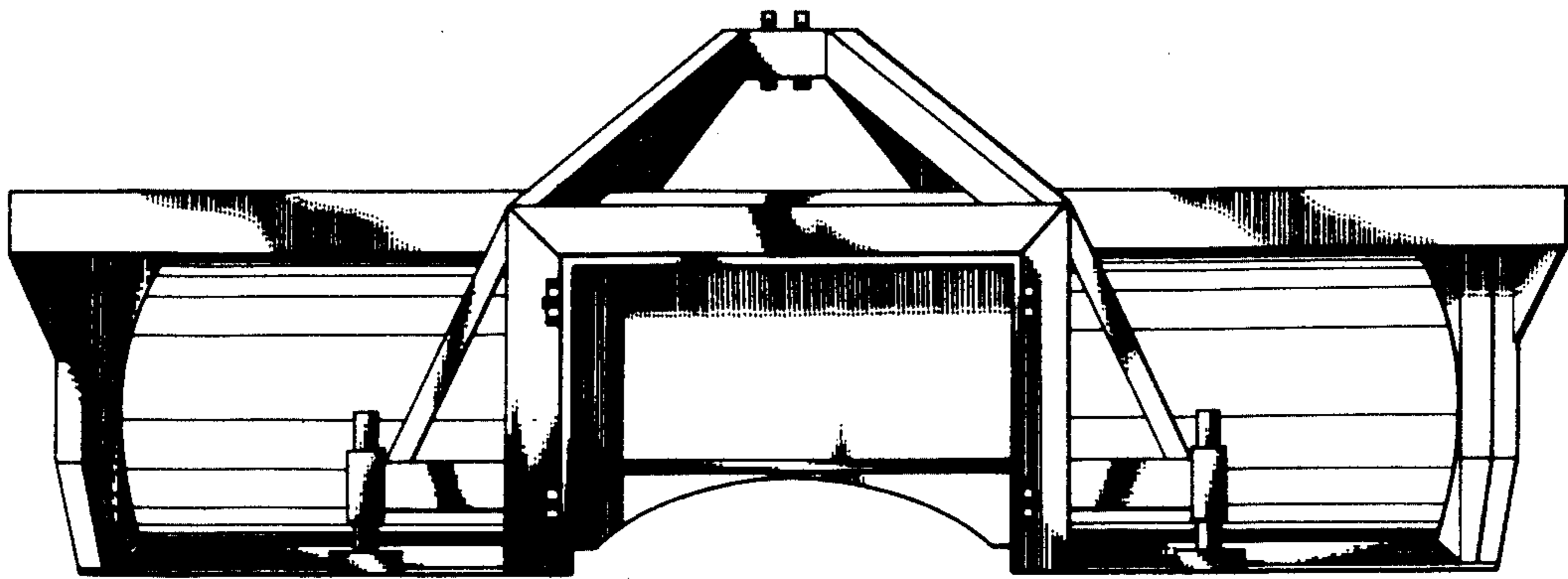


FIG 2

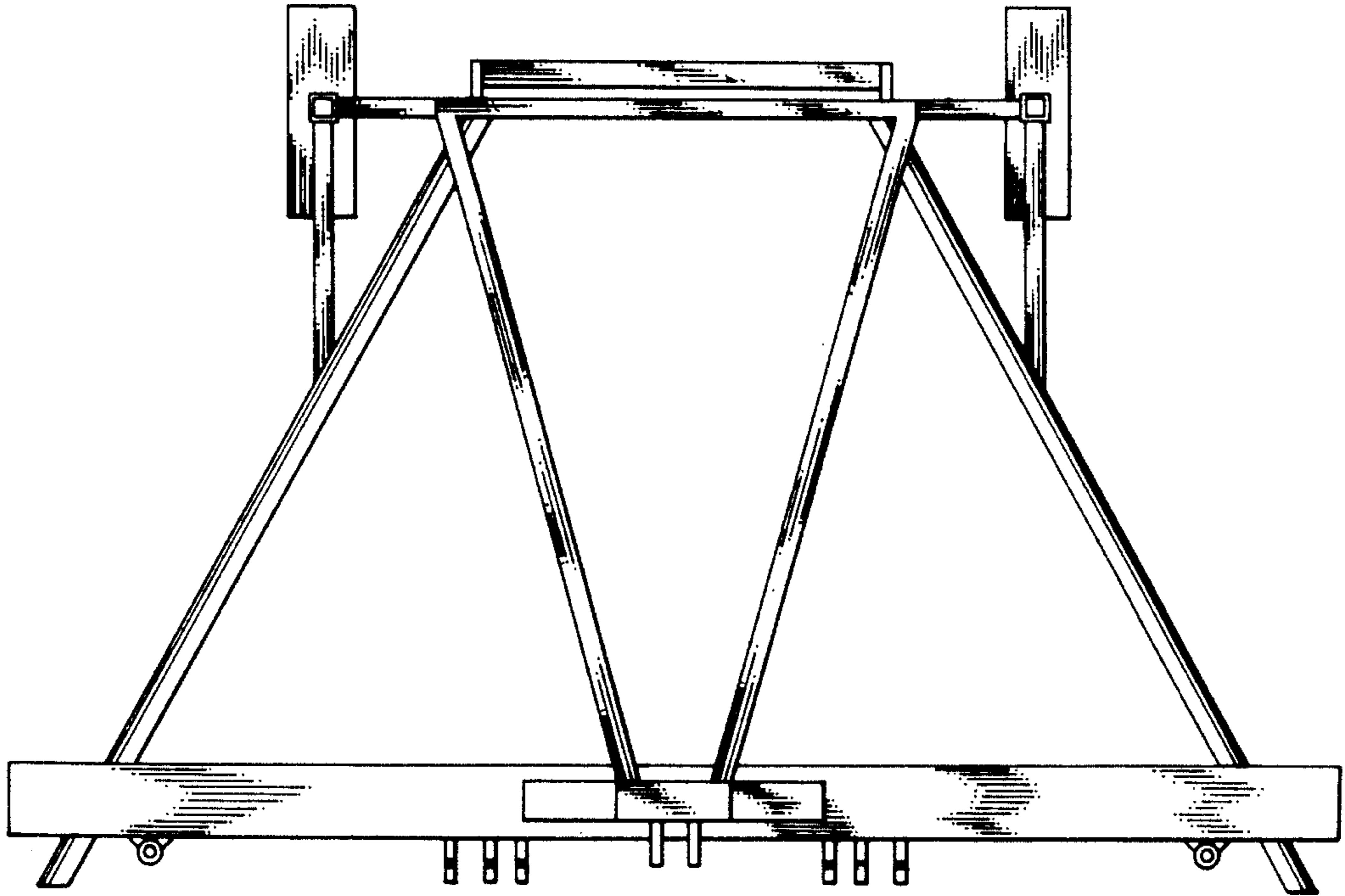


FIG 3

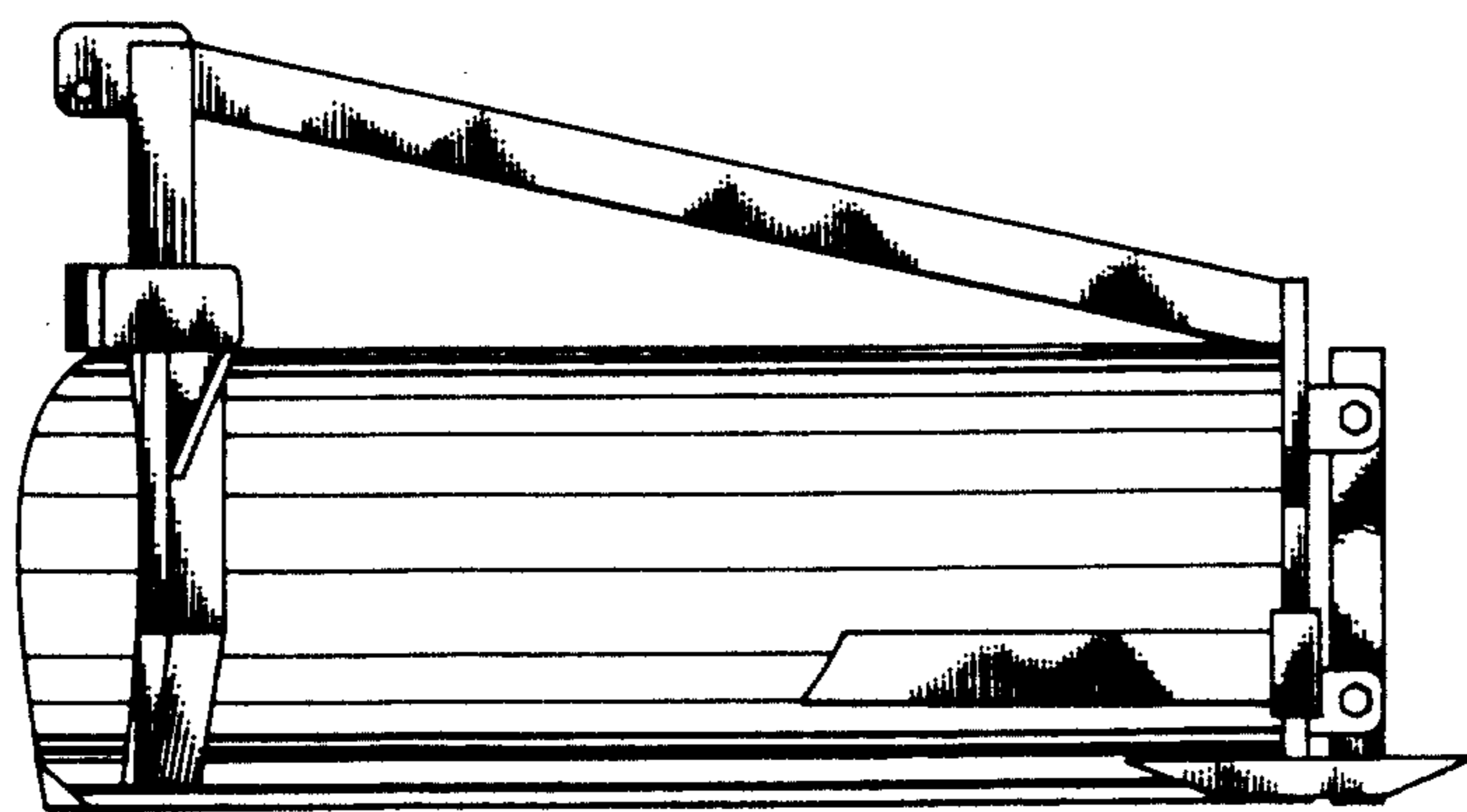


FIG 4