

[54] TELEPHONE

D. 243,961 4/1977 Buchin et al. D14/58

[75] Inventors: **Isamu Hirasawa**, Tokyo; **Hirokazu Mokudai**, Yamato; **Osamu Kato**, Zama, all of Japan

OTHER PUBLICATIONS

Nippon Telegraph and Telephone Public Corporation, Published Jun. 25, 1976, 1976 Sales Handbook, Push Button Type Businessphone, Model 20.

[73] Assignee: **Kanda Tsushin Kogyo Co., Ltd.**, Tokyo, Japan

Primary Examiner—Bernard Ansher
Attorney, Agent, or Firm—Robert D. Flynn

[**] Term: **14 Years**

[57] CLAIM

[21] Appl. No.: **767,135**

The ornamental design for a telephone, as shown and described.

[22] Filed: **Feb. 9, 1977**

[30] Foreign Application Priority Data

DESCRIPTION

Aug. 9, 1976 Japan 51-30943

FIG. 1 is a front elevation of a telephone, with the cord element omitted for ease of illustration, showing our new design;

[51] Int. Cl. **D14-03**

FIG. 2 is a top plan view thereof;

[52] U.S. Cl. **D14/58; D14/53**

FIG. 3 is a rear elevation thereof;

[58] Field of Search **D14/58, 53; 179/178, 179/100 D, 100 R, 179, 84**

FIG. 4 is a left side elevation thereof;

FIG. 5 is a right side elevation thereof;

[56] References Cited

U.S. PATENT DOCUMENTS

D. 225,747 1/1973 Haaheim et al. D14/58

D. 232,740 9/1974 Takahashi et al. D14/53

D. 236,734 9/1975 Daum D14/53

FIG. 6 is a top plan view with the handset removed from the telephone base;

FIG. 7 is a fragmentary front elevation of the telephone base; and

FIG. 8 is a front perspective thereof.

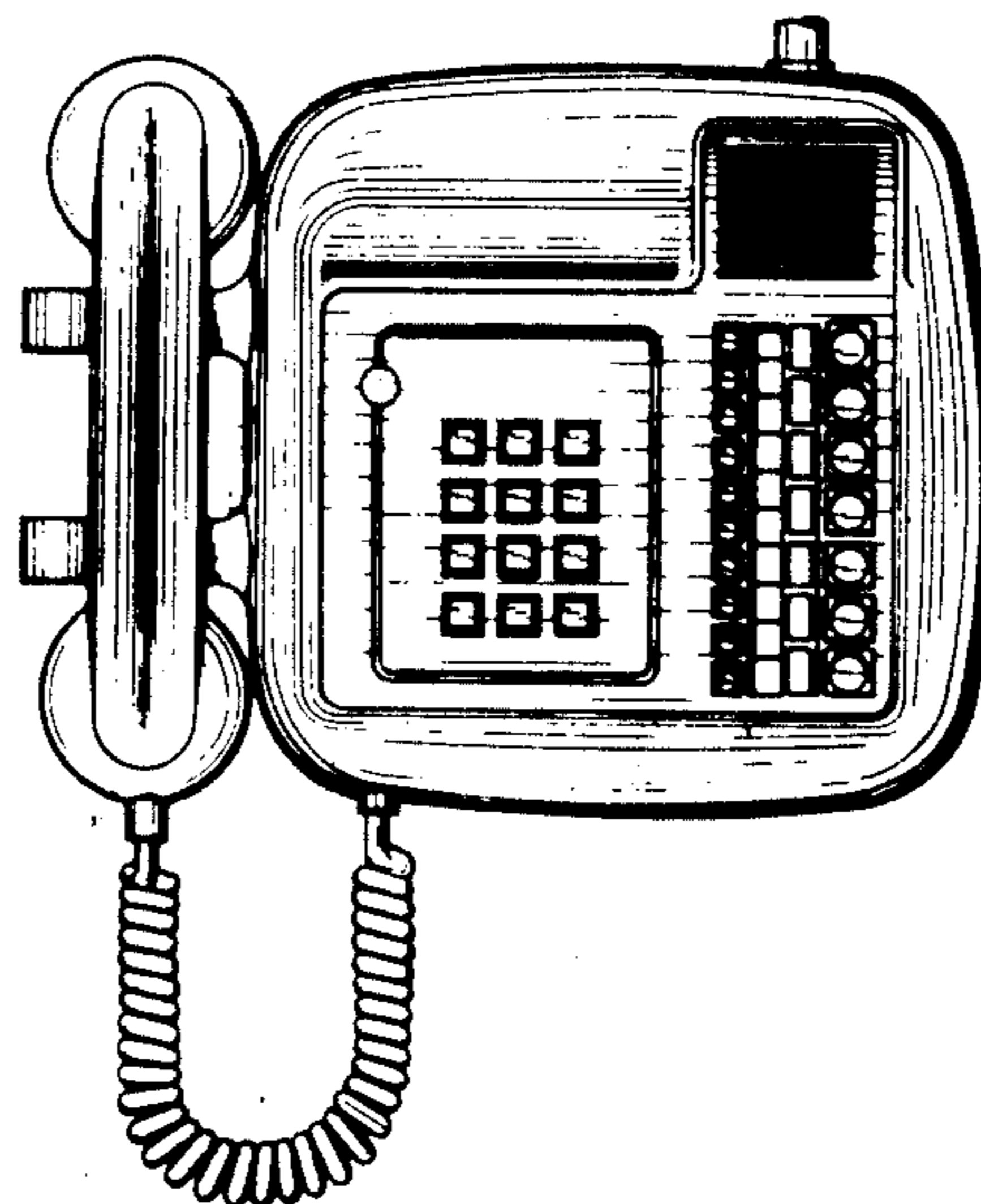
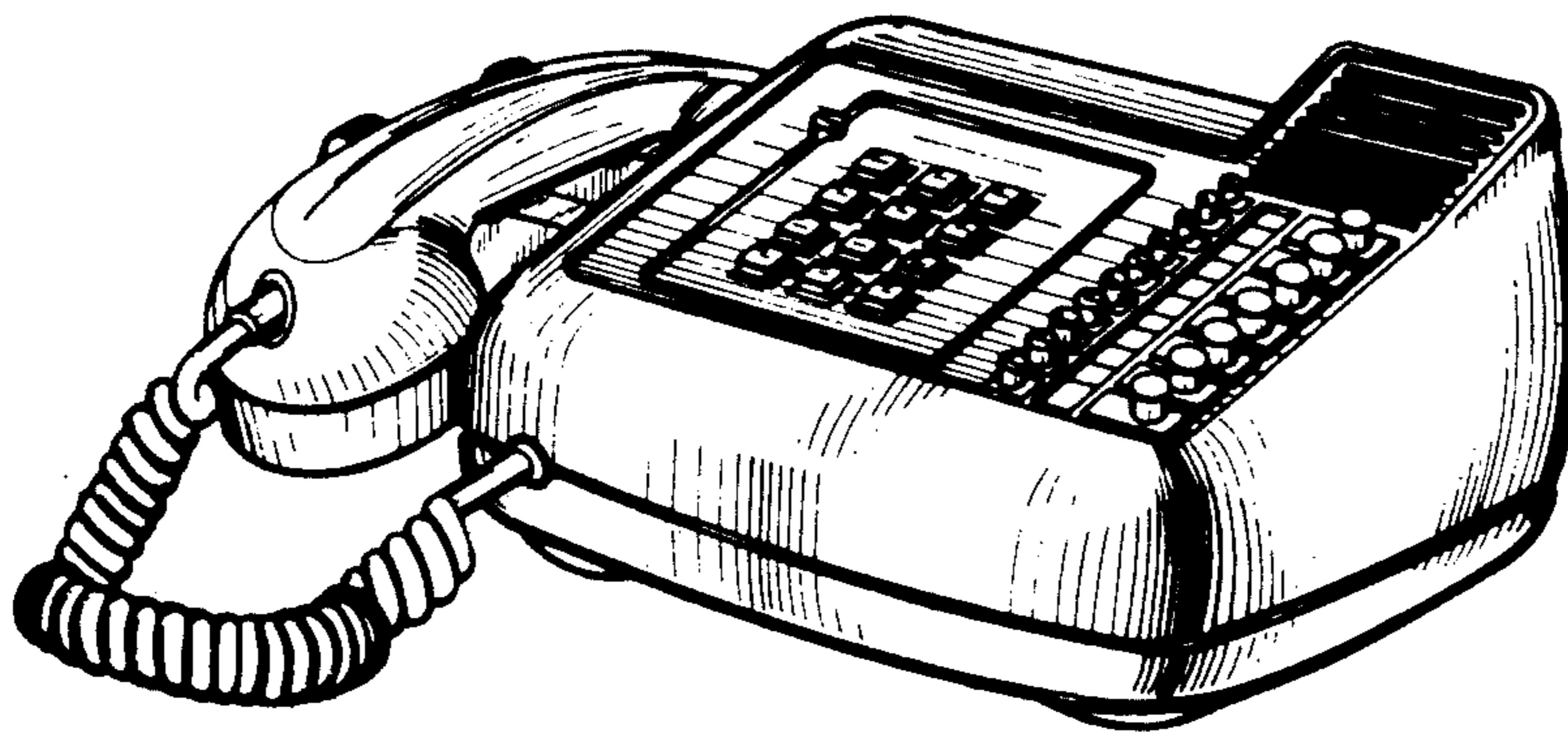


FIG. 1

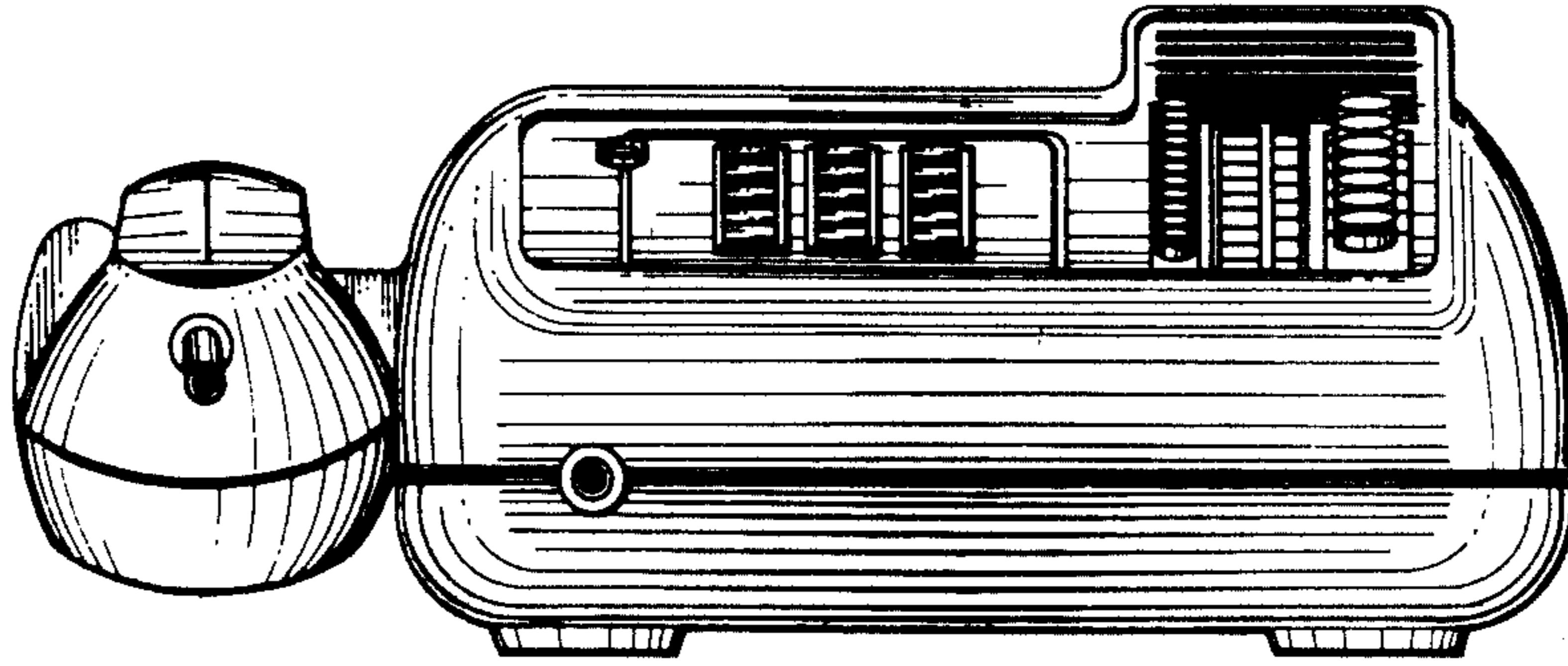


FIG. 2

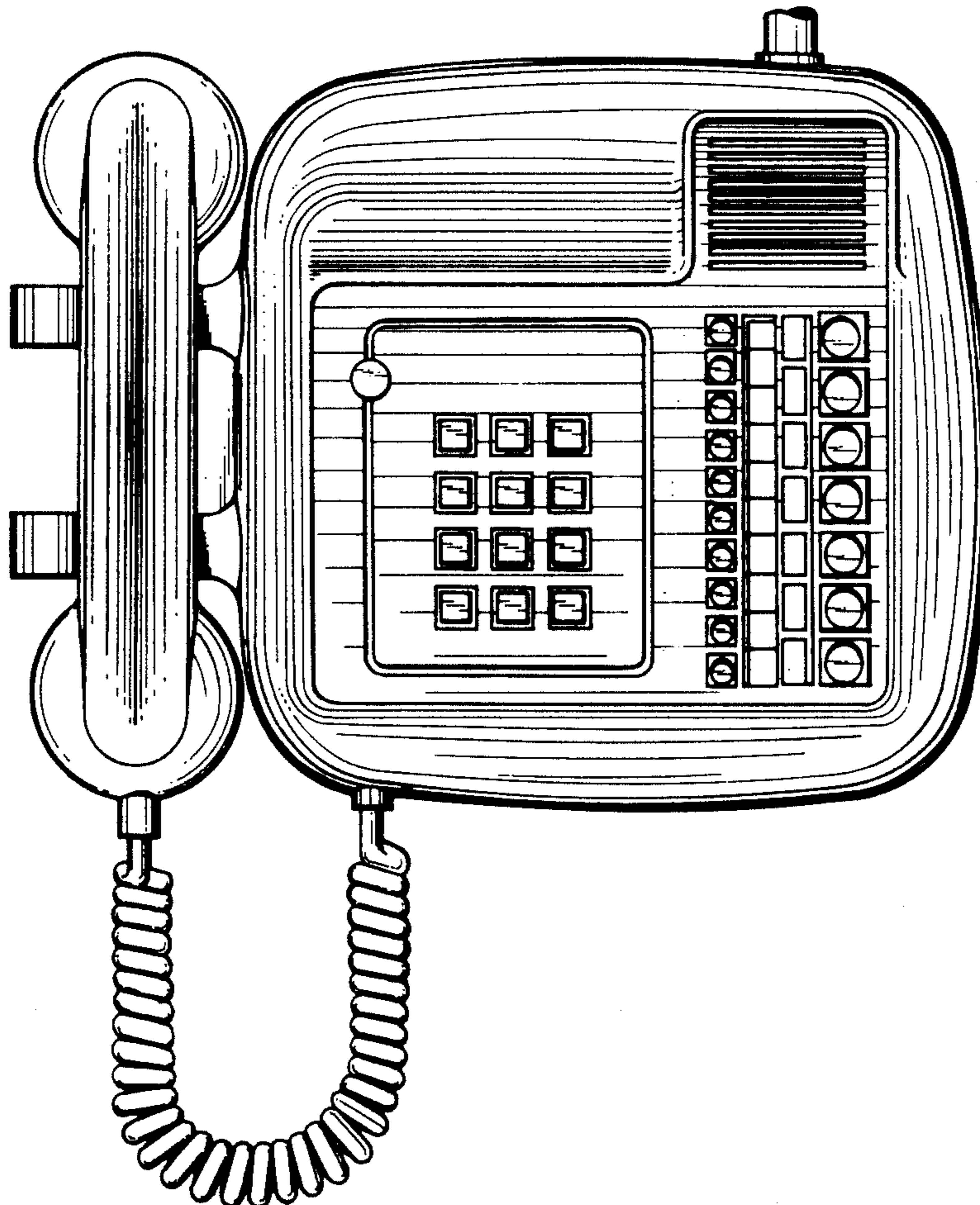


FIG 3

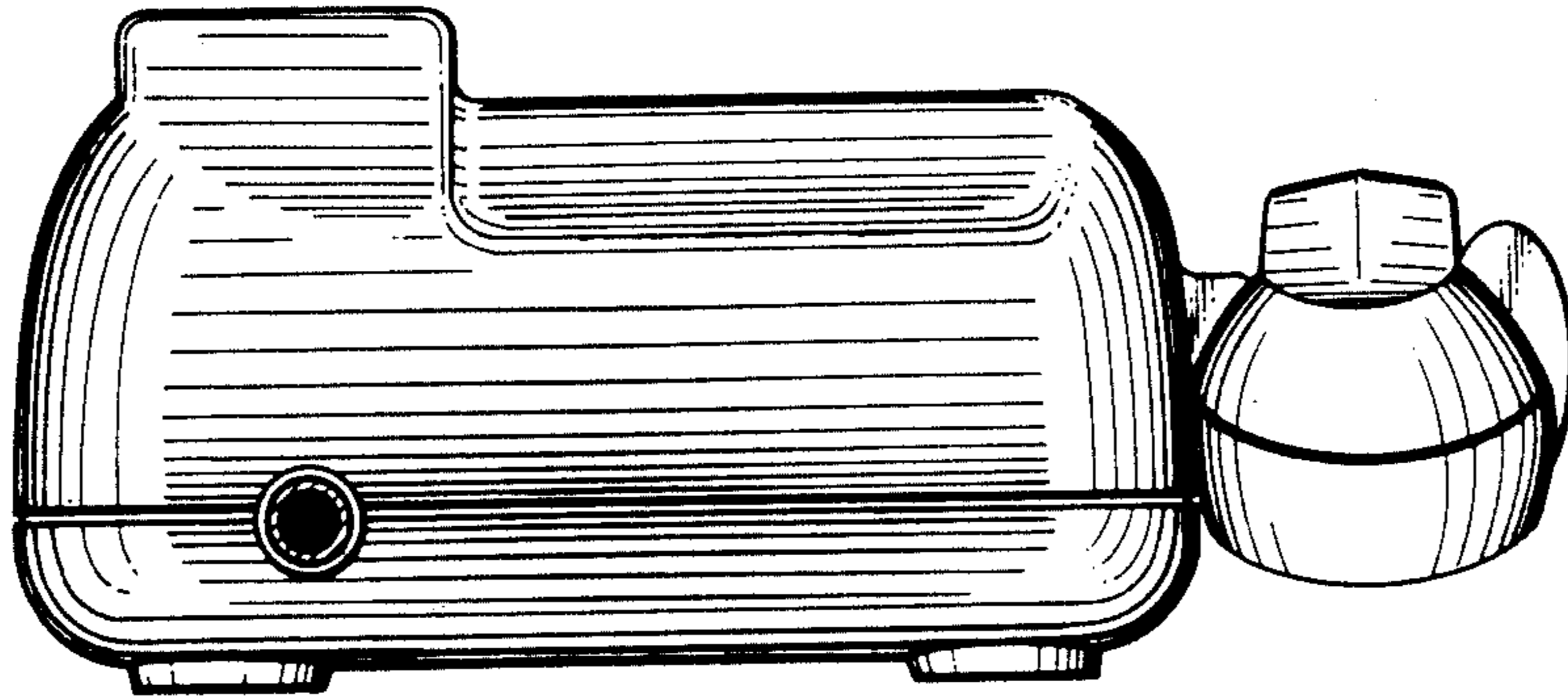


FIG 4

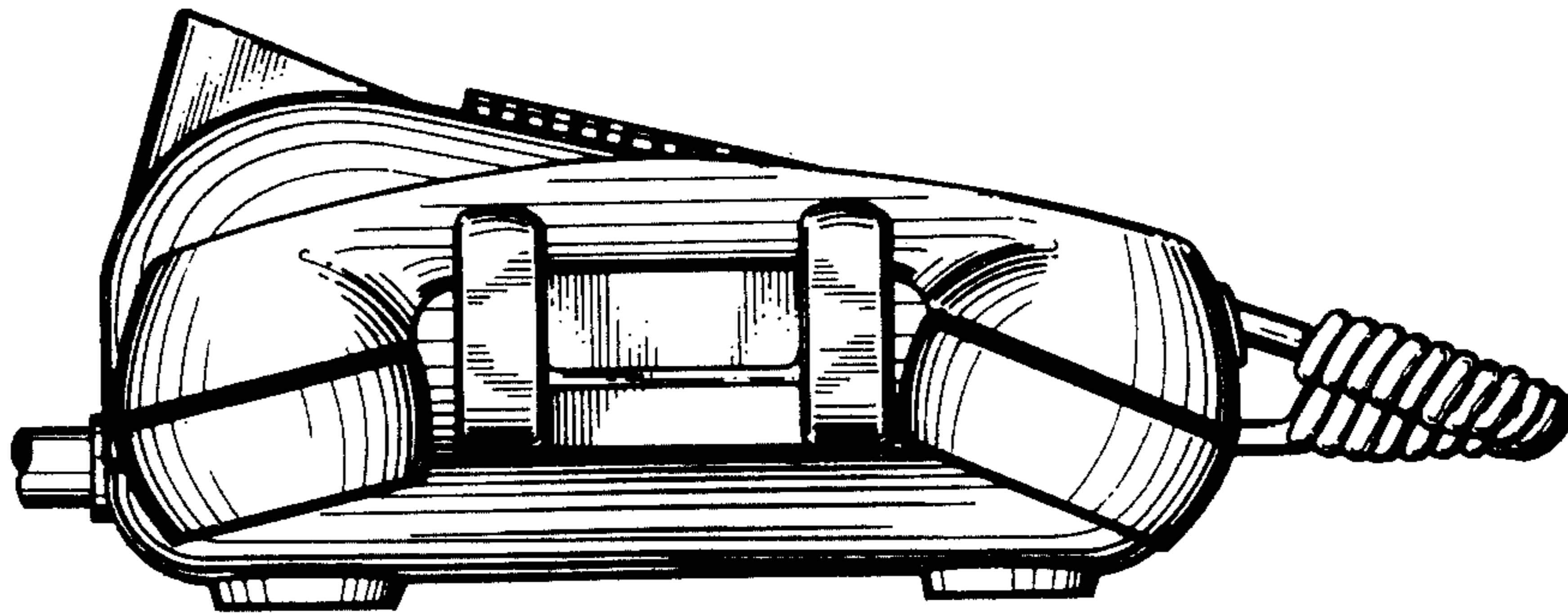


FIG 5

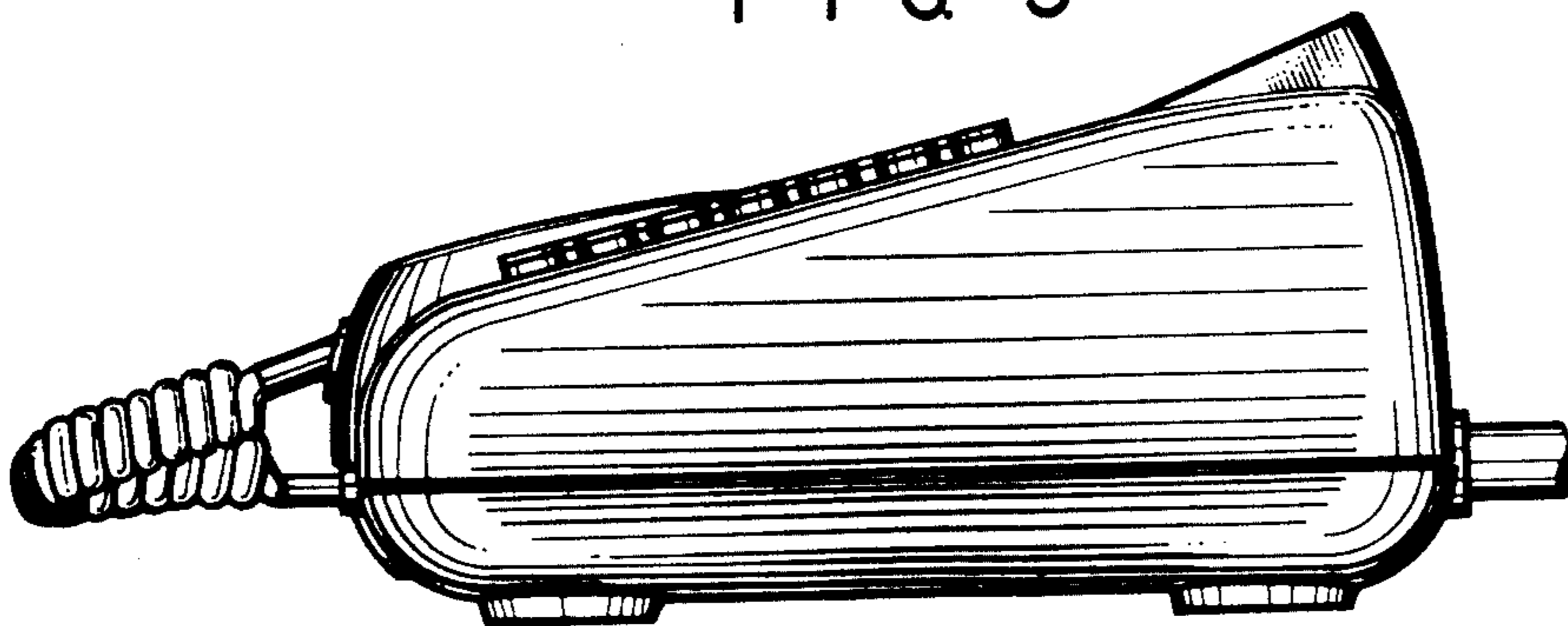


FIG. 6

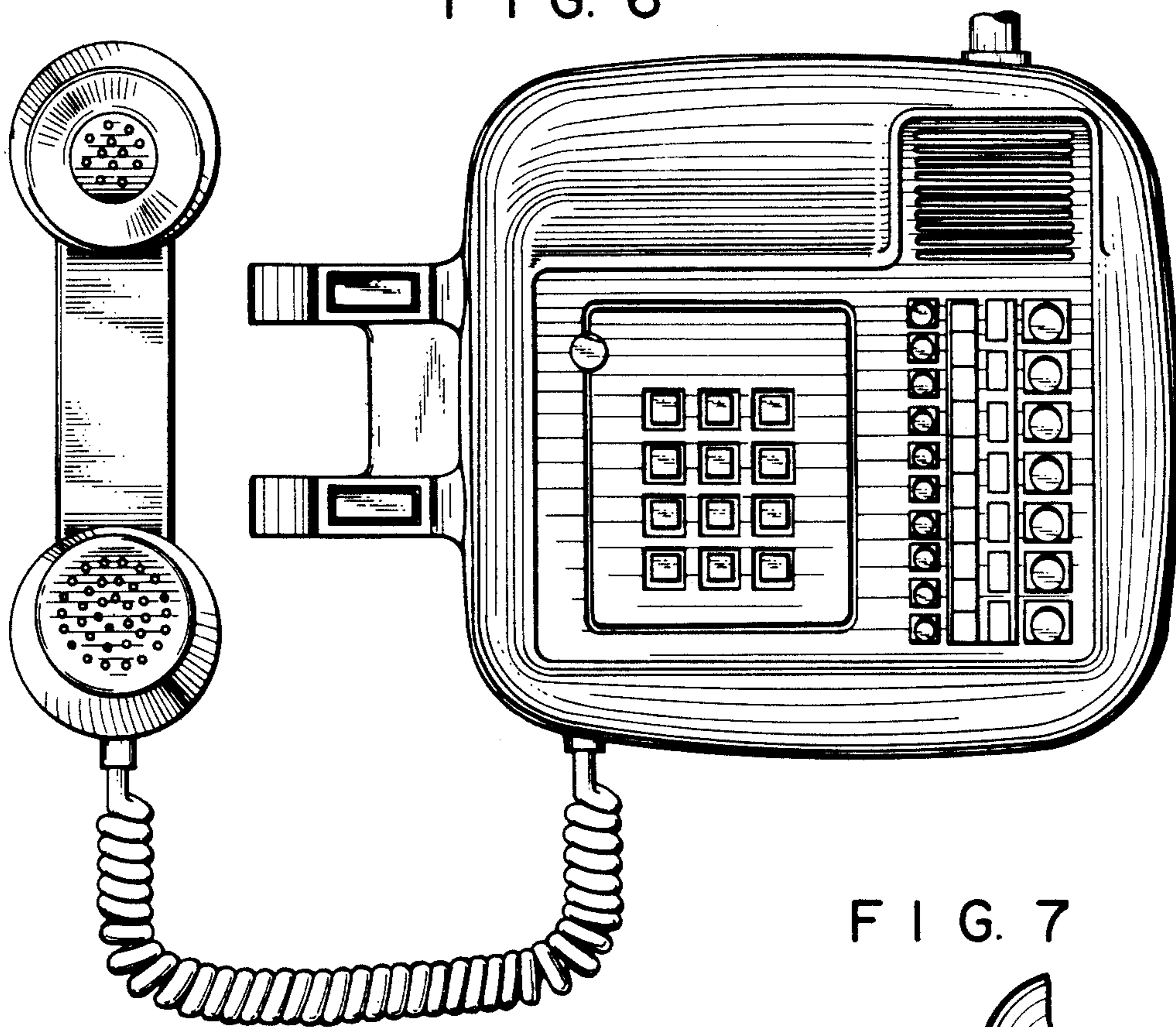


FIG. 7

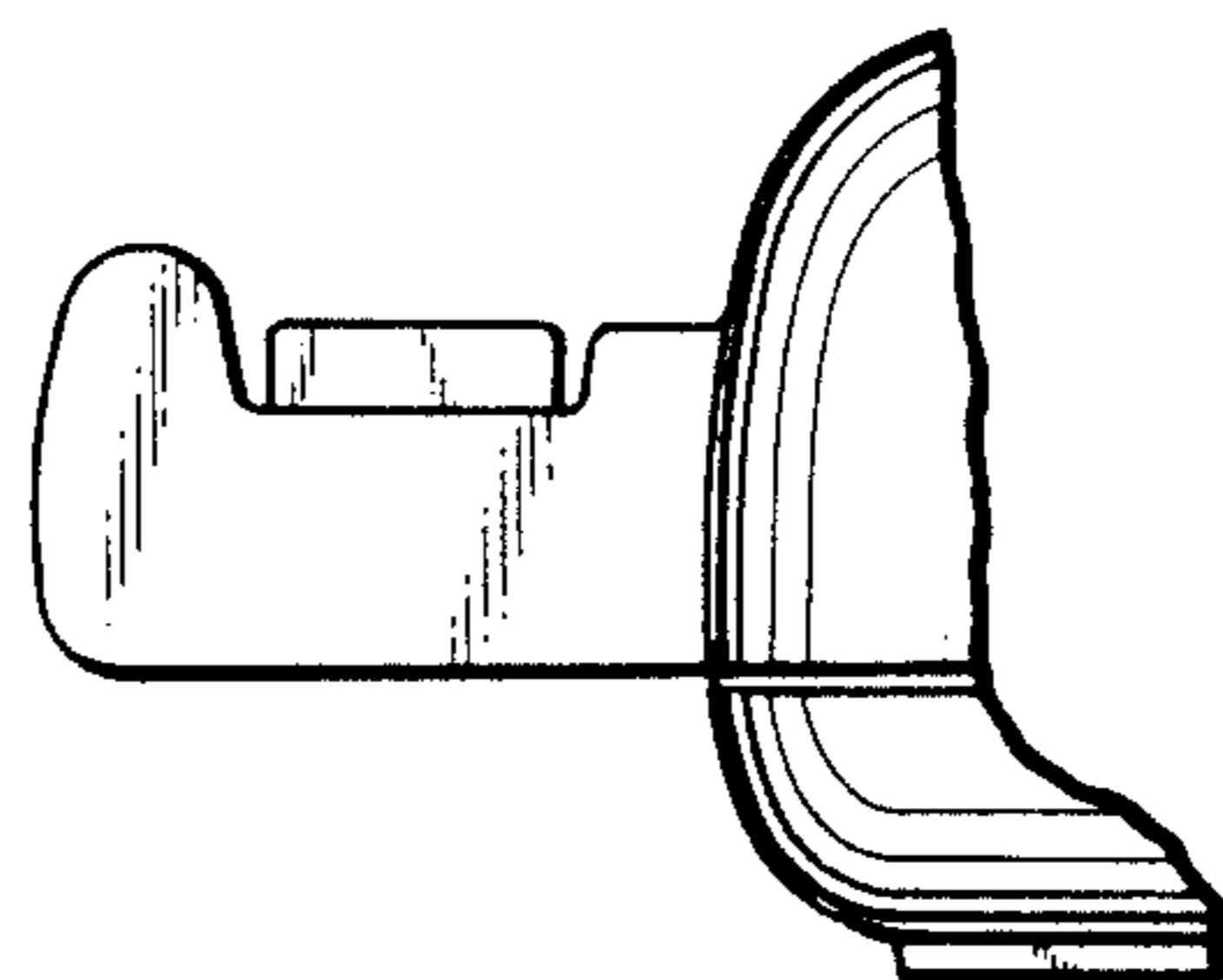


FIG. 8

