

[54] PRODUCE CONTAINER

[75] Inventor: Sam M. Martin, Etobicoke, Canada

[73] Assignee: Consumers Glass Company Limited

[\*\*] Term: 14 Years

[21] Appl. No.: 682,114

[22] Filed: Apr. 30, 1976

[51] Int. Cl. .... D9-03

[52] U.S. Cl. .... D9/243; D9/177;  
D9/219; D9/246

[58] Field of Search ..... D9/246, 242, 219, 177,  
D9/243; D87/1 R

[56]

References Cited

U.S. PATENT DOCUMENTS

D. 224,393	7/1972	Box .....	D9/177
D. 235,054	5/1975	Herman .....	D9/243
D. 242,660	12/1976	Astle .....	D87/1 R
1,334,046	3/1920	Opqenorth .....	D9/243 X
3,568,879	3/1971	Box .....	D9/177 X

Primary Examiner—Robert C. Spangler  
Attorney, Agent, or Firm—Douglas S. Johnson

[57]

CLAIM

The ornamental design for a produce container, as shown.

DESCRIPTION

FIG. 1 is a plan view of a produce container showing my new design;  
FIG. 2 is a top perspective view with a side and end of the container foremost;  
FIG. 3 is a bottom perspective view showing the side and end not seen in FIG. 2.

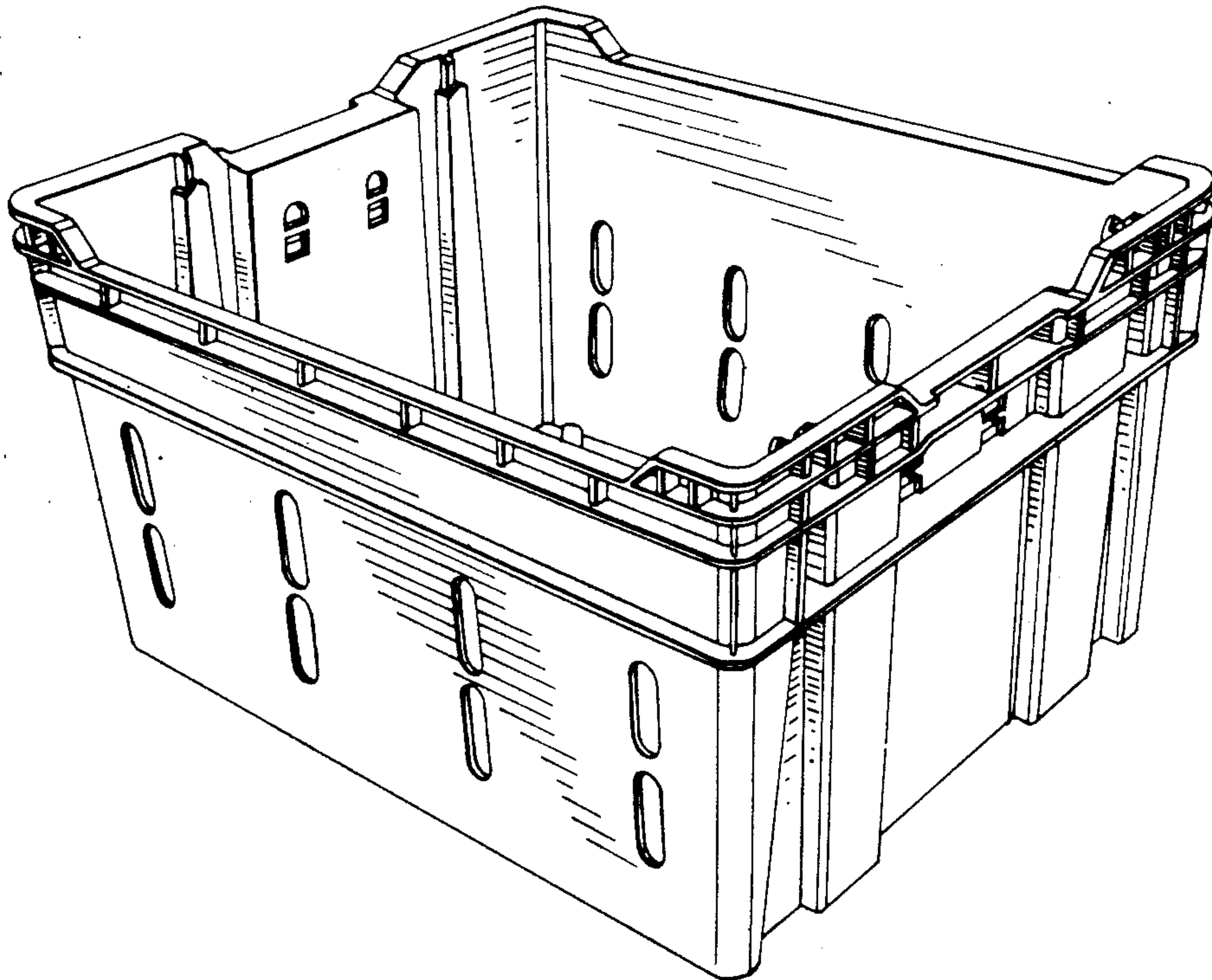


FIG. 1

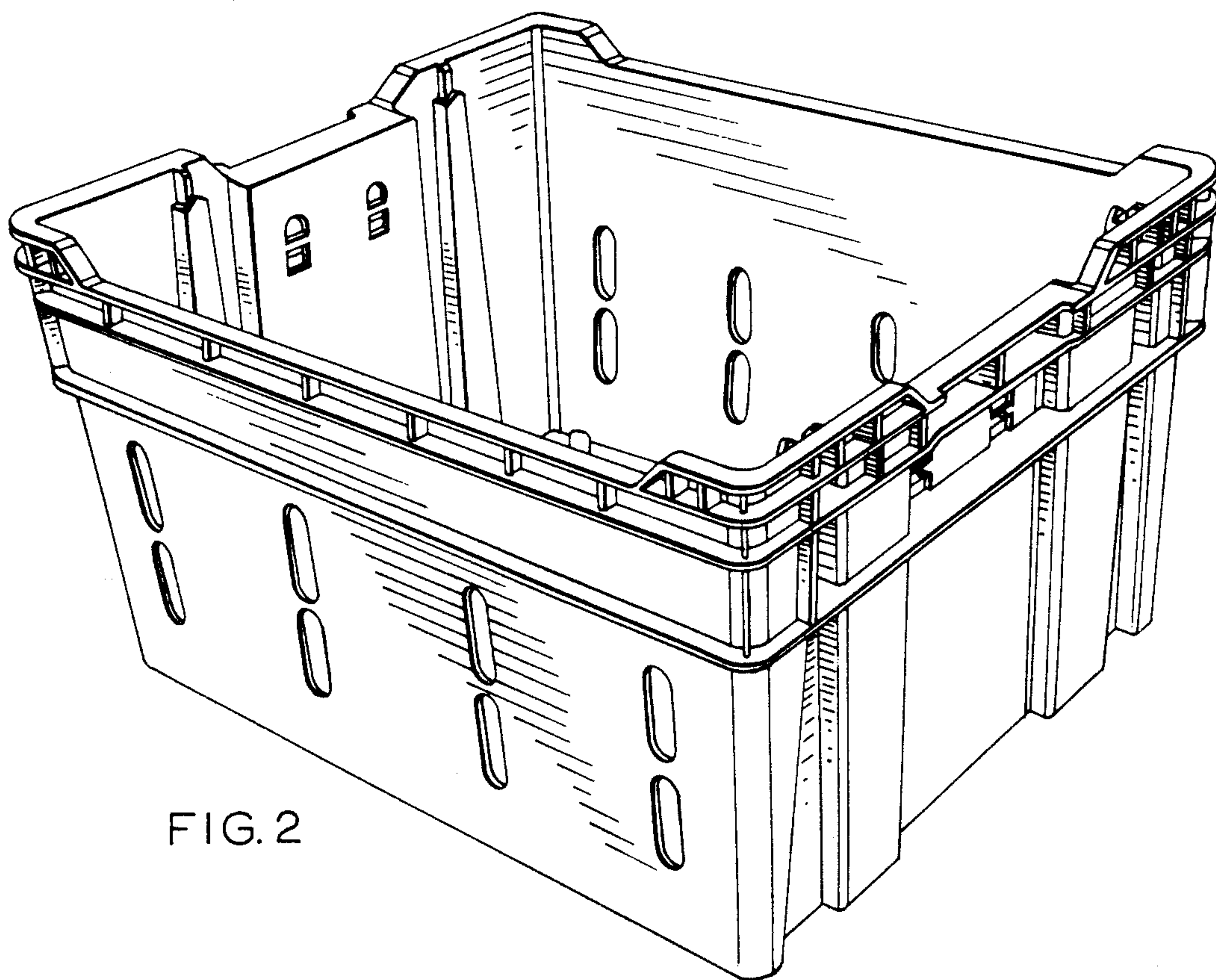
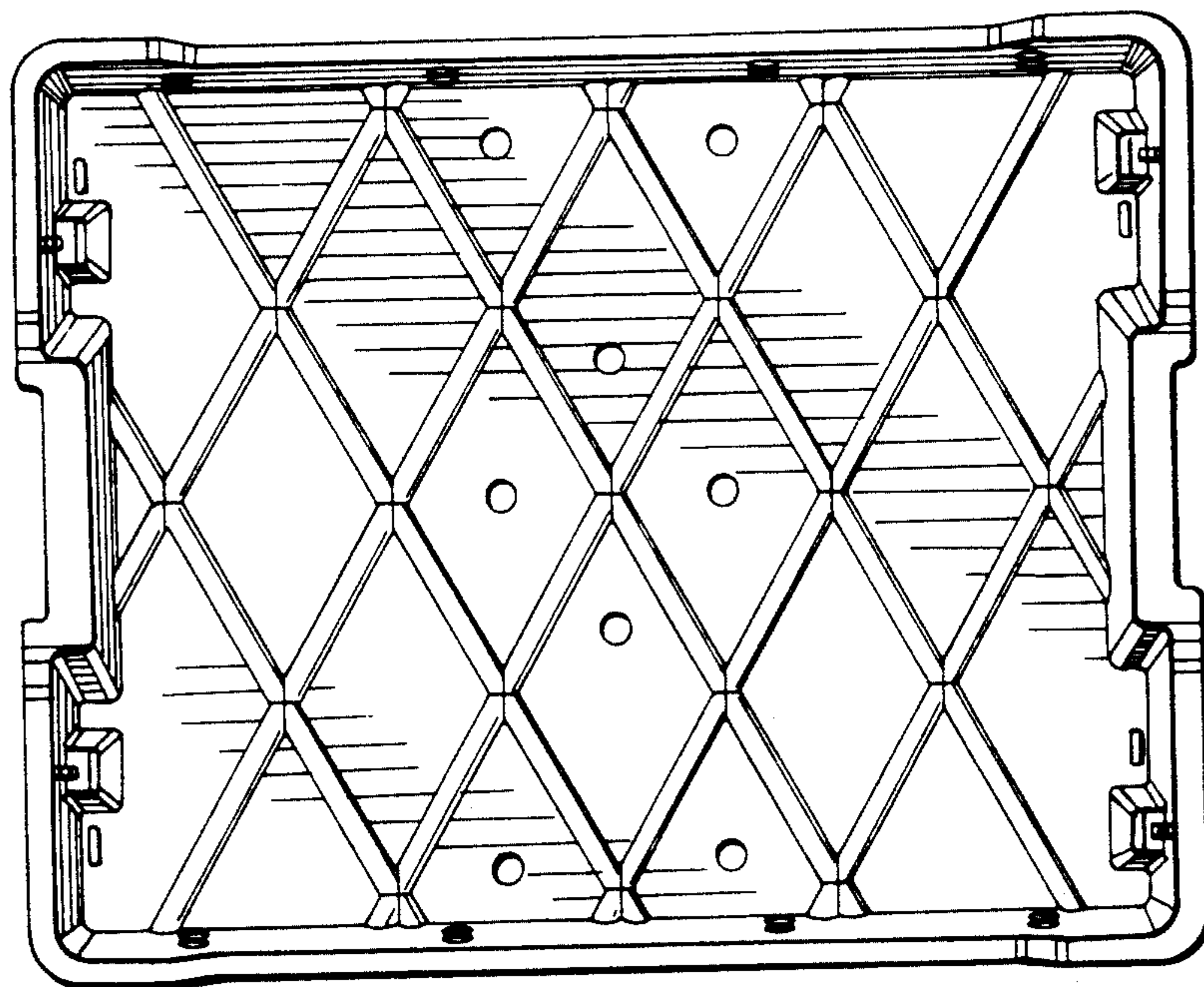


FIG. 2

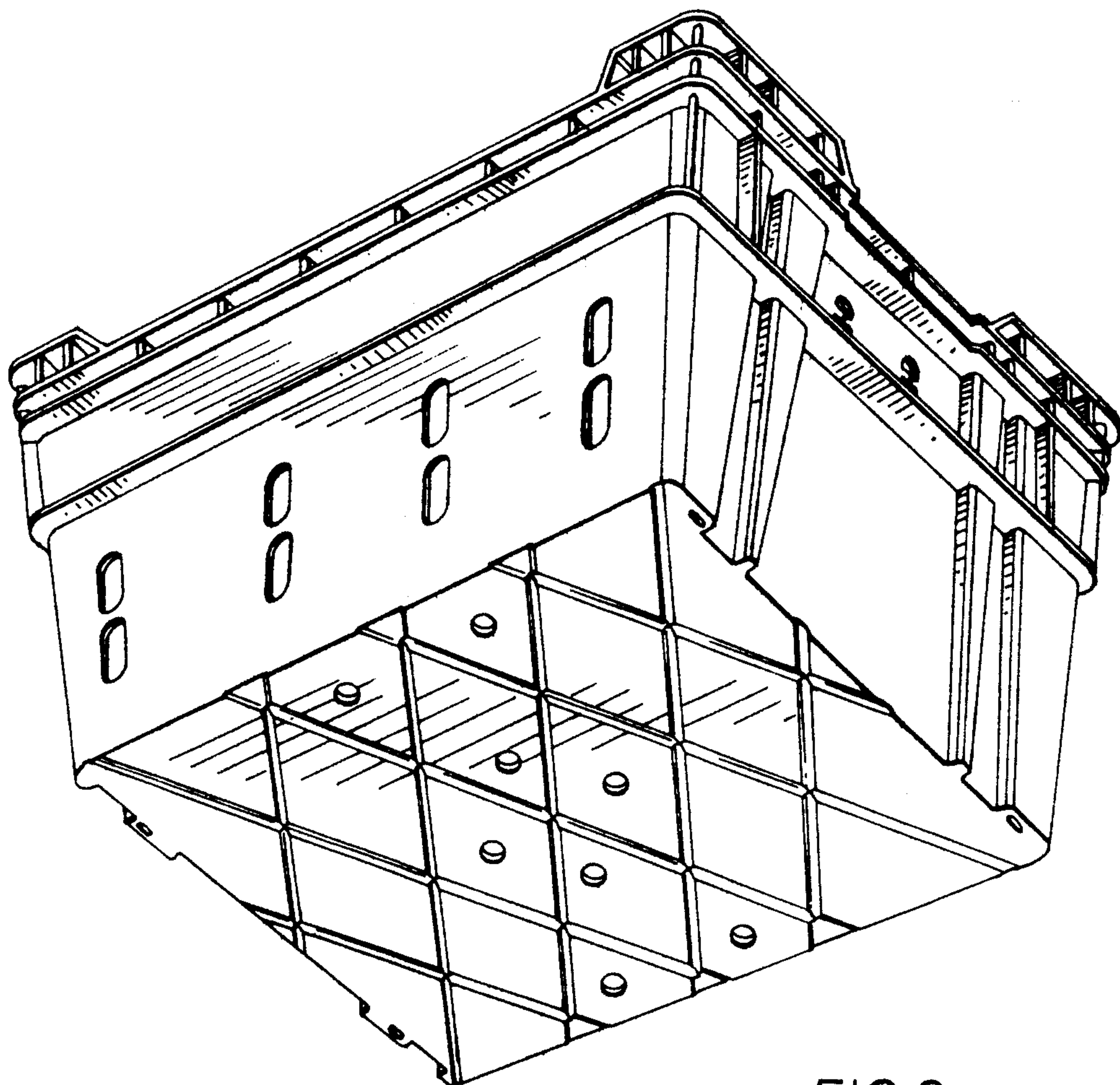


FIG. 3