

[54] PACKAGING TRAY OR THE LIKE

[75] Inventor: Morell J. Holden, Jr., Canandaigua, N.Y.

[73] Assignee: Mobil Oil Corporation, New York, N.Y.

[\*\*] Term: 14 Years

[21] Appl. No.: 602,931

[22] Filed: Aug. 8, 1975

[51] Int. Cl. .... D9-03

[52] U.S. Cl. .... D9/219

[58] Field of Search ..... 229/1.5, 1.5 B, 2.5, 229/3.5; 206/519; D9/219, 242-243

[56]

References Cited

U.S. PATENT DOCUMENTS

D. 193,952	10/1962	Reifers .....	D9/243 X
D. 235,621	7/1975	Cawrse .....	D9/219
1,701,238	2/1929	Kennedy .....	D9/219 X
2,814,427	11/1957	Emery .....	206/519 X
3,778,516	12/1973	Cornelius .....	229/2.5 X

Primary Examiner—Robert C. Spangler  
Attorney, Agent, or Firm—Charles A. Huggett

[57]

CLAIM

The ornamental design for a packaging tray or the like, substantially as shown.

DESCRIPTION

FIG. 1 is a perspective view of a packaging tray or the like showing my new design; and FIG. 2 is a bottom plan view thereof.

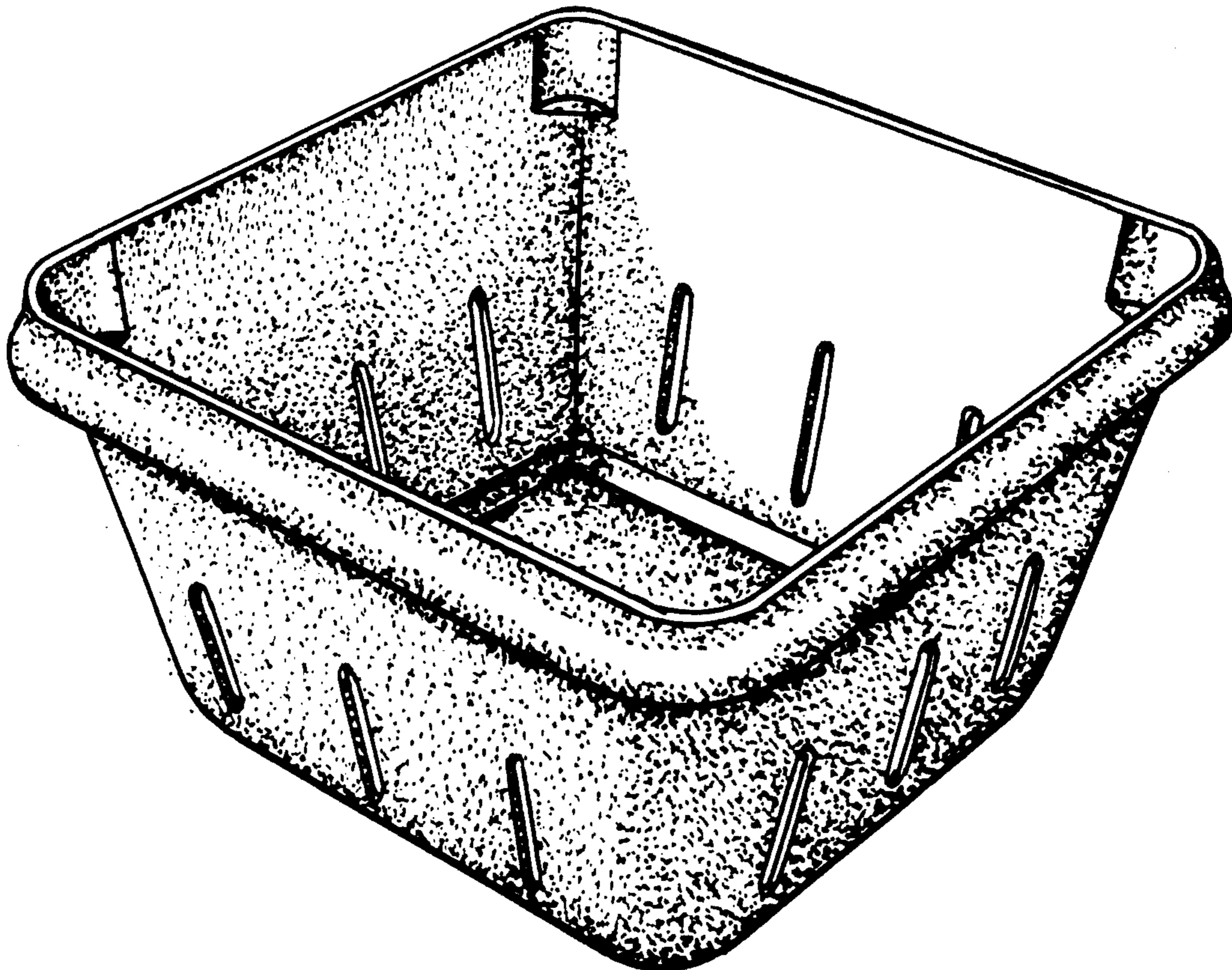


FIG. 1

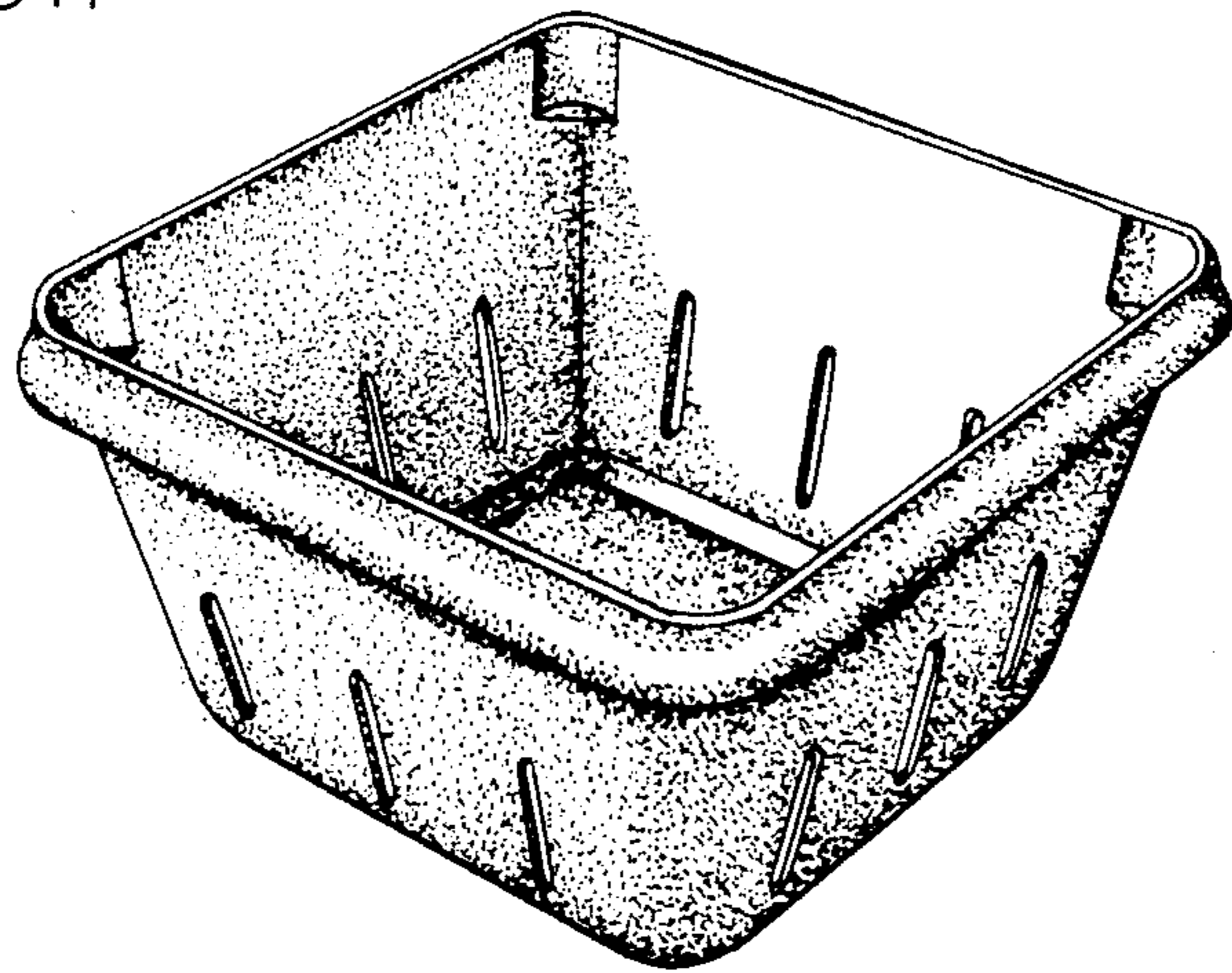


FIG. 2

