

[54] CONTAINER FOR TONER POWDER

[75] Inventors: Harlan Glenn Hartman, Hilton; Stephen James Flamini, Rochester; Arthur Christian Rissberger, Jr., Webster, all of N.Y.

[73] Assignee: Eastman Kodak Company, Rochester, N.Y.

[**] Term: 14 Years

[21] Appl. No.: 658,211

[22] Filed: Feb. 17, 1976

Related U.S. Application Data

[63] Continuation-in-part of Ser. No. 547,148, Feb. 5, 1975.

[51] Int. Cl. D9-03
[52] U.S. Cl. D9/207
[58] Field of Search D9/207, 222-240, D9/275

[56]

References Cited

U.S. PATENT DOCUMENTS

D. 164,784	10/1951	Lipton	D9/207
D. 218,152	7/1970	Emerson	D9/207
3,244,325	4/1966	Lindquist	222/DIG. 1
3,806,003	4/1974	Fujimoto	222/DIG. 1 X
3,896,279	7/1975	Sugawara	222/DIG. 1 X
3,898,956	8/1975	Andrako	222/DIG. 1 X
3,951,309	4/1976	Kadowaki	222/DIG. 1 X

OTHER PUBLICATIONS

IBM Technical Disclosure Bulletin, vol. 17, No. 4, Sep. 1974, p. 1094, toner dispenser.

Primary Examiner—Robert C. Spangler
Attorney, Agent, or Firm—Paul R. Holmes

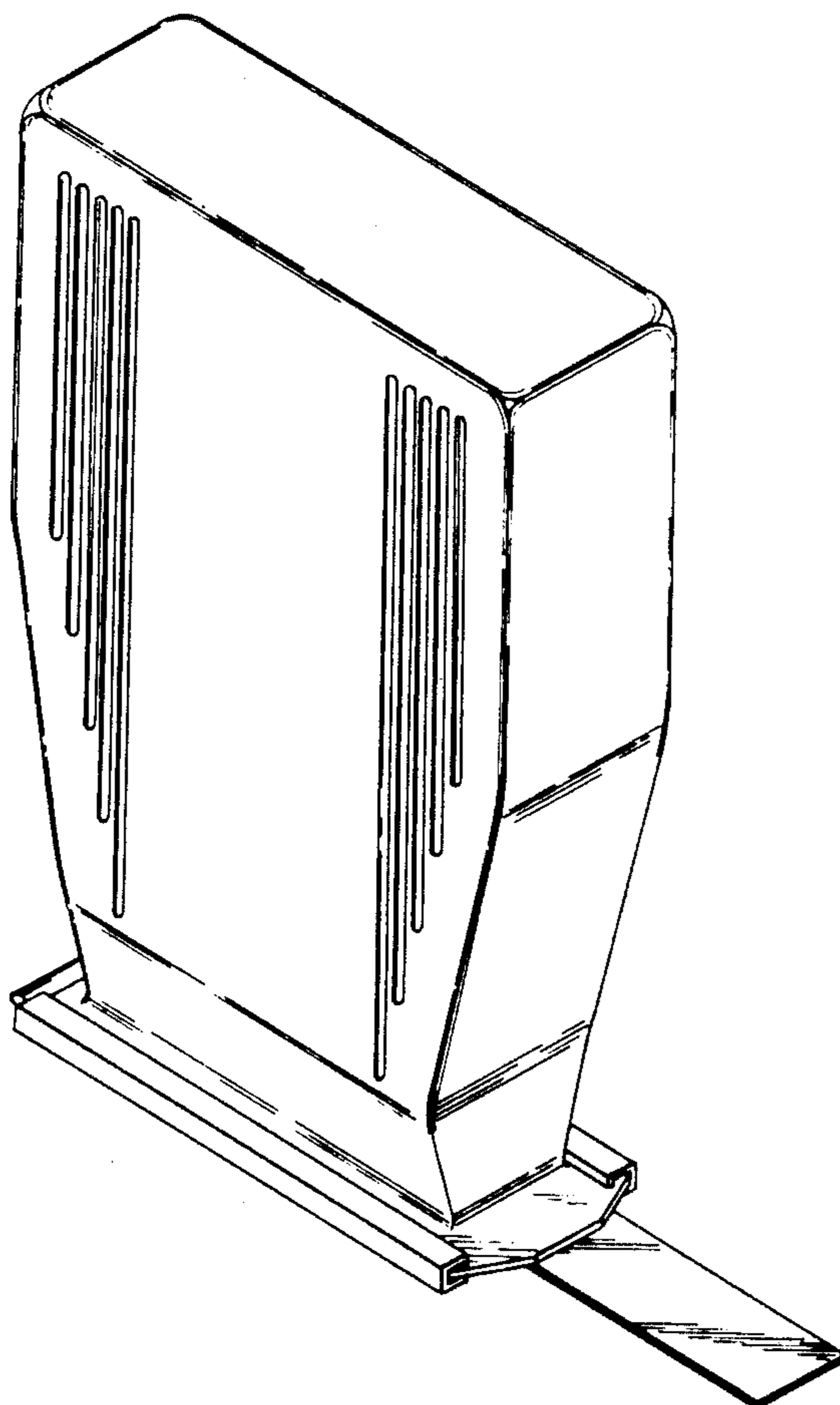
[57]

CLAIM

The ornamental design for a container for toner powder, as shown.

DESCRIPTION

FIG. 1 is a top front perspective view of a container for toner powder showing our new design; FIG. 2 is a bottom rear perspective view thereof; FIG. 3 is a fragmentary sectional view taken along the line 3-3 of FIG. 2; FIG. 4 is a front elevational view thereof; and FIG. 5 is a side elevational view thereof.



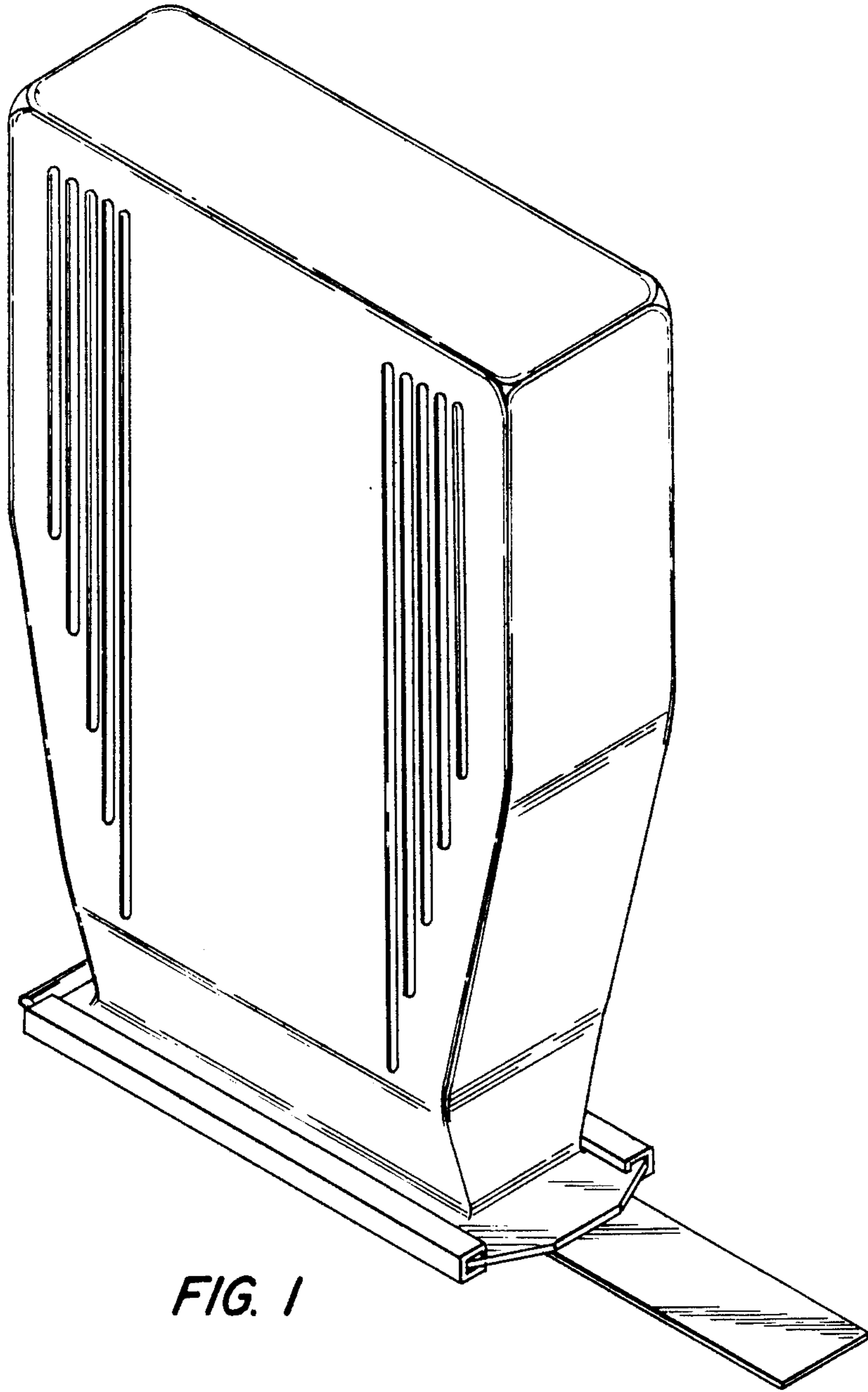


FIG. 1

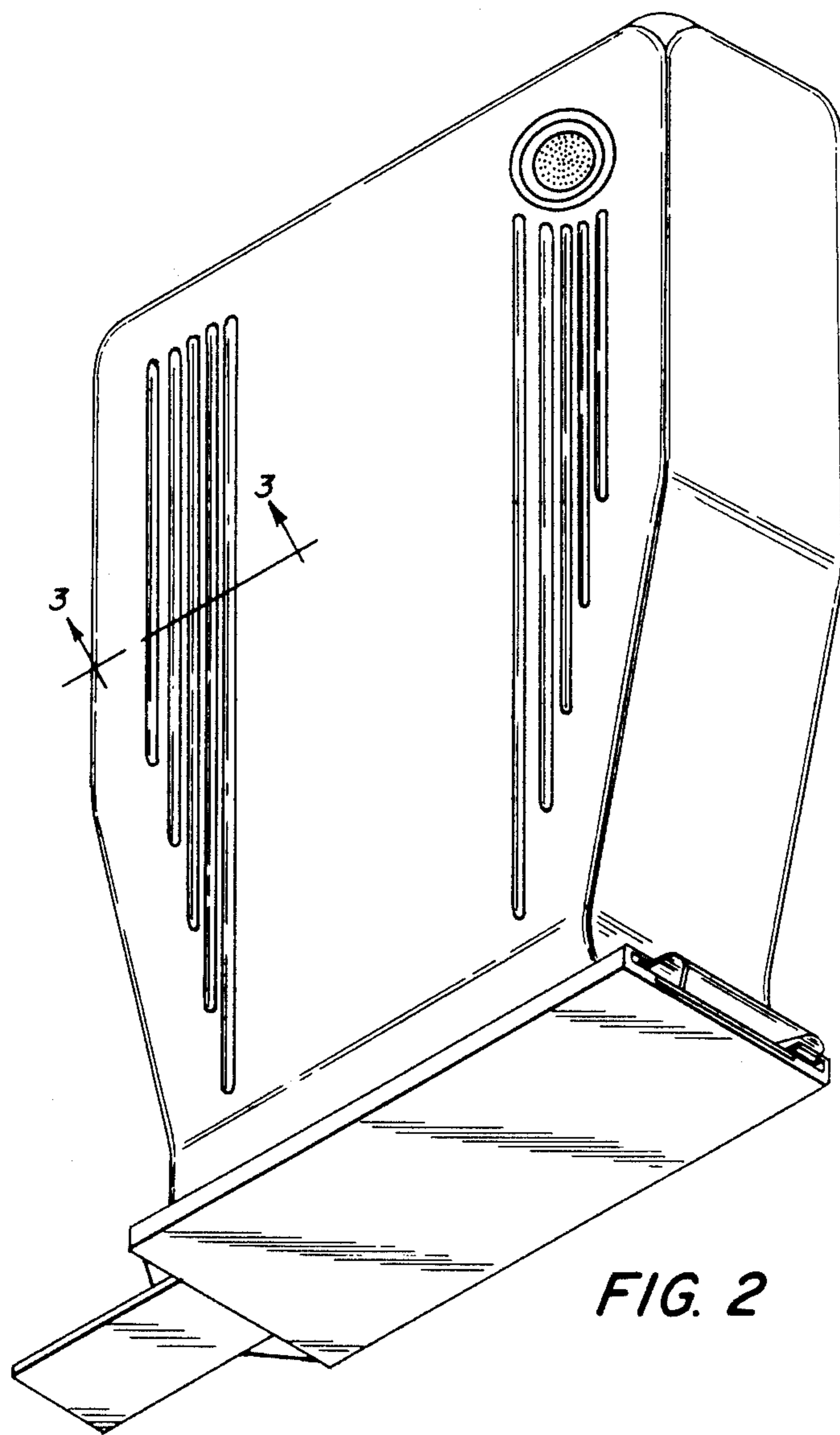


FIG. 2



FIG. 3

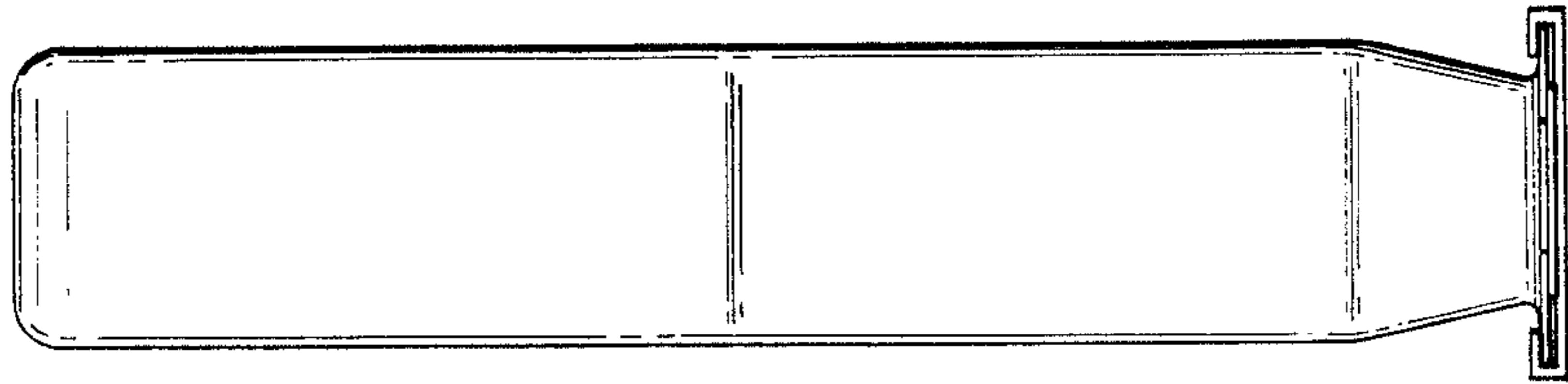


FIG. 4

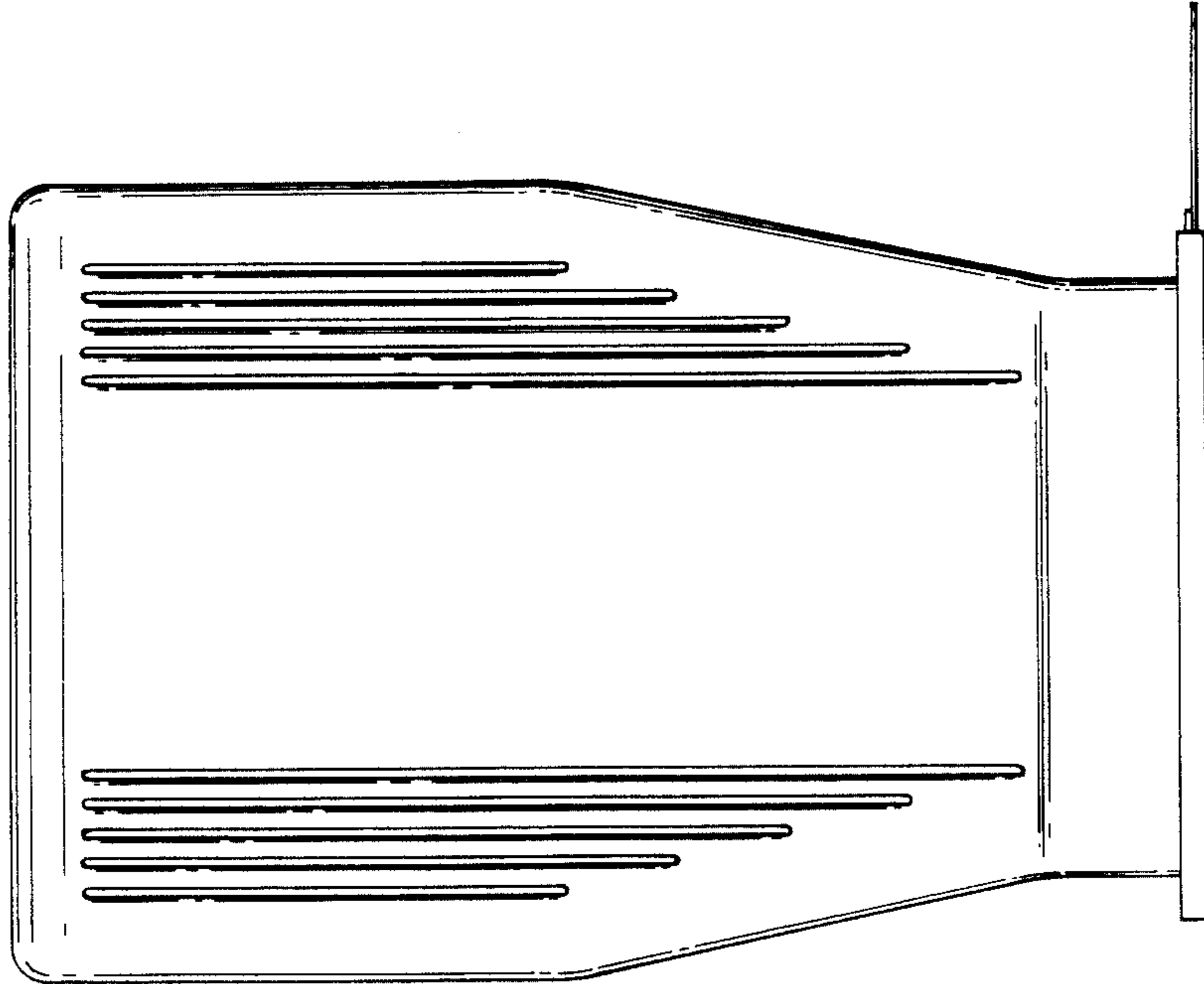


FIG. 5