

[54] LINK UNIT FOR CONVEYOR CHAIN LINK ASSEMBLY

[76] Inventor: Dale R. Schwartz, R.R. 2, Hedrick, Iowa 52563

[**] Term: 14 Years

[21] Appl. No.: 671,391

[22] Filed: Mar. 29, 1976

[51] Int. Cl. D8—99; D12—05

[52] U.S. Cl. D8/499; D12/60

[58] Field of Search D8/499; 59/84, 87-90; 198/850-853; D12/58, 60

[56] References Cited

U.S. PATENT DOCUMENTS

2,286,666 6/1942 Briggs 198/851

3,421,313 1/1969 Harada et al. 59/84

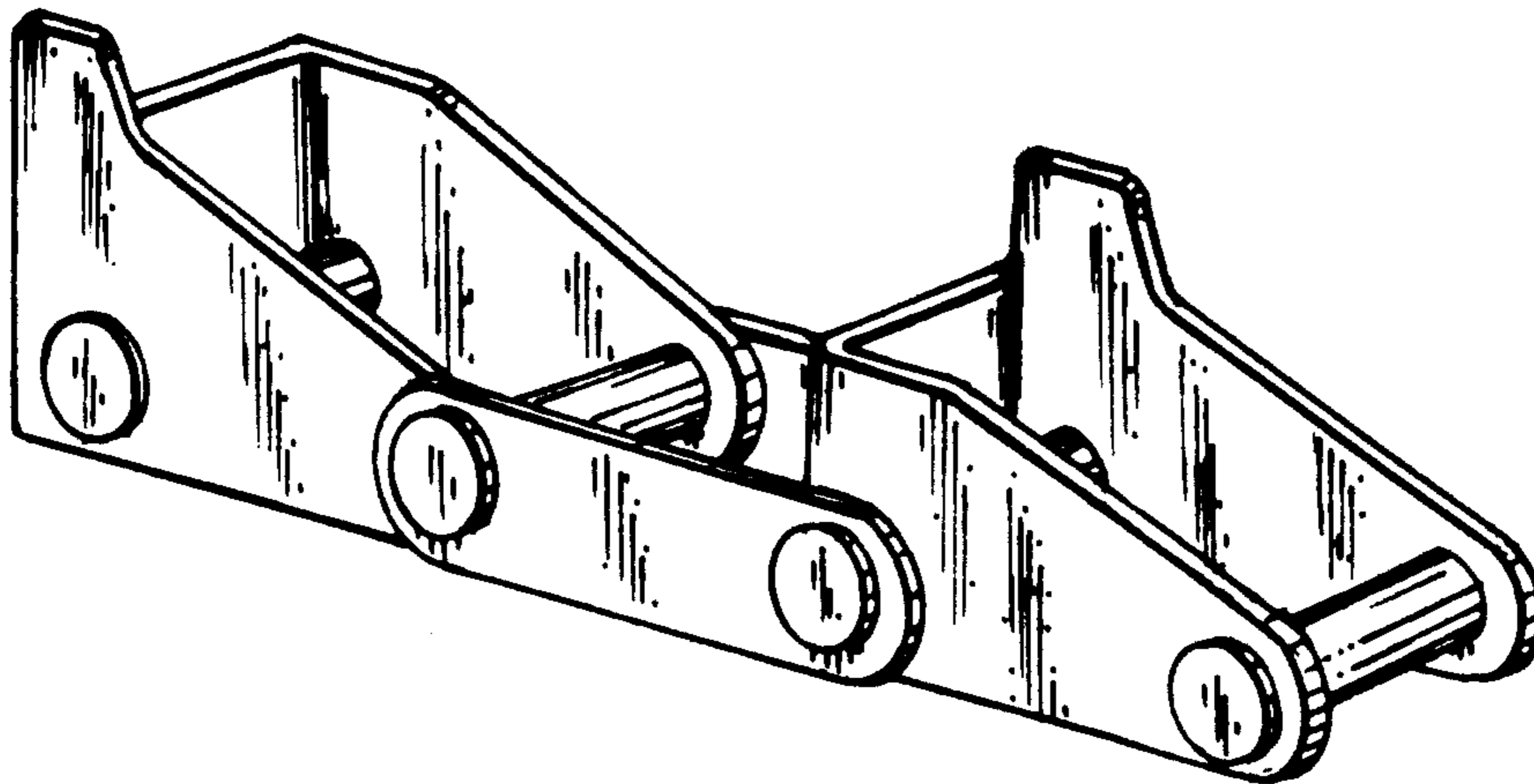
Primary Examiner—Wallace R. Burke
Assistant Examiner—James M. Gandy
Attorney, Agent, or Firm—Rudolph L. Lowell

[57] CLAIM

The ornamental design for a link unit for a conveyor chain link assembly, substantially as shown.

DESCRIPTION

FIG. 1 is a perspective view of a link unit for a conveyor chain link assembly showing my new design; FIG. 2 is a top plan view thereof; FIG. 3 is a side elevational view thereof, the opposite side being a mirror image of the side shown herein; FIG. 4 is a left end elevational view thereof; FIG. 5 is a right end elevational view thereof; and FIG. 6 is a bottom plan view thereof.



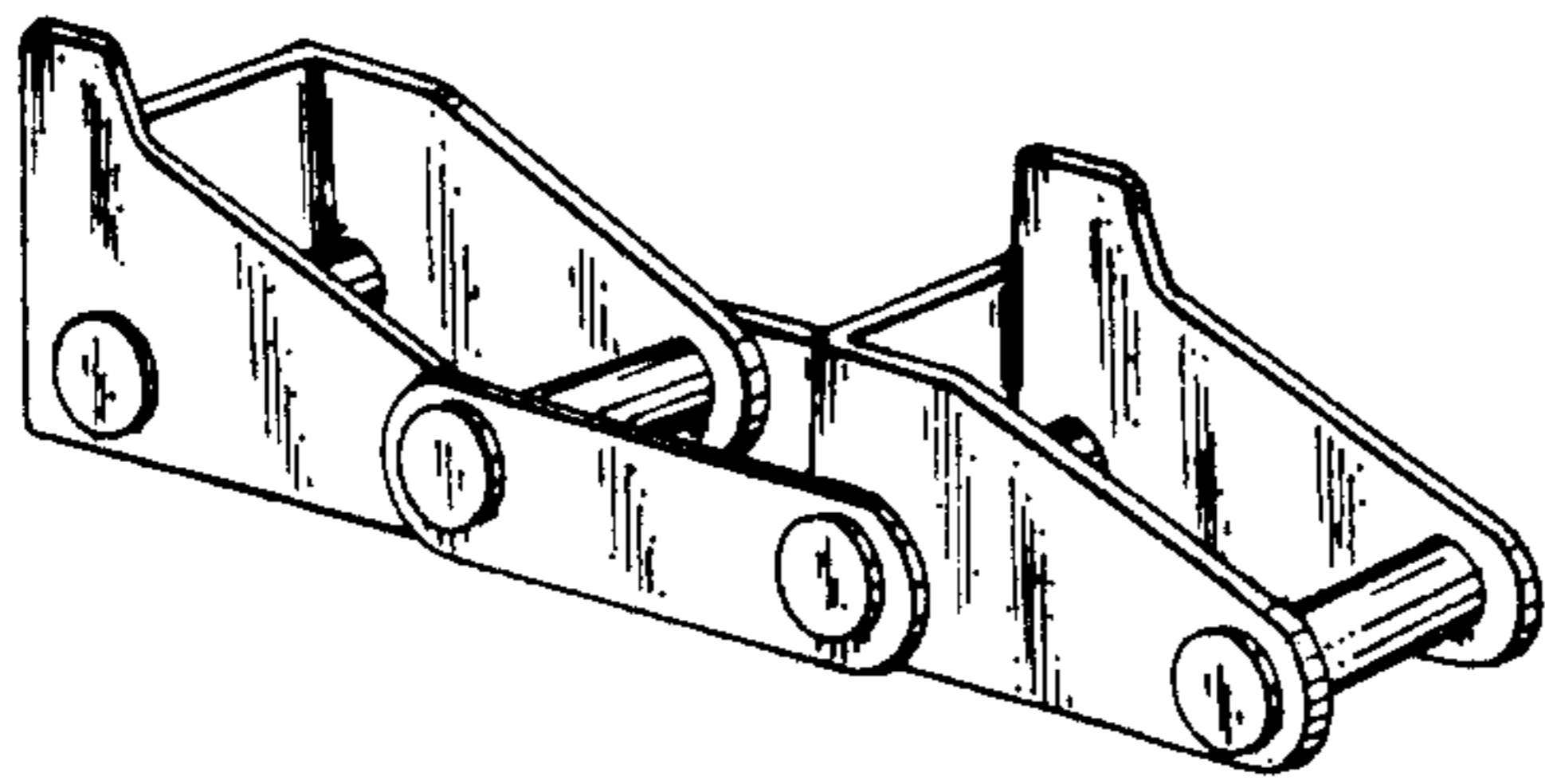


Fig. 1

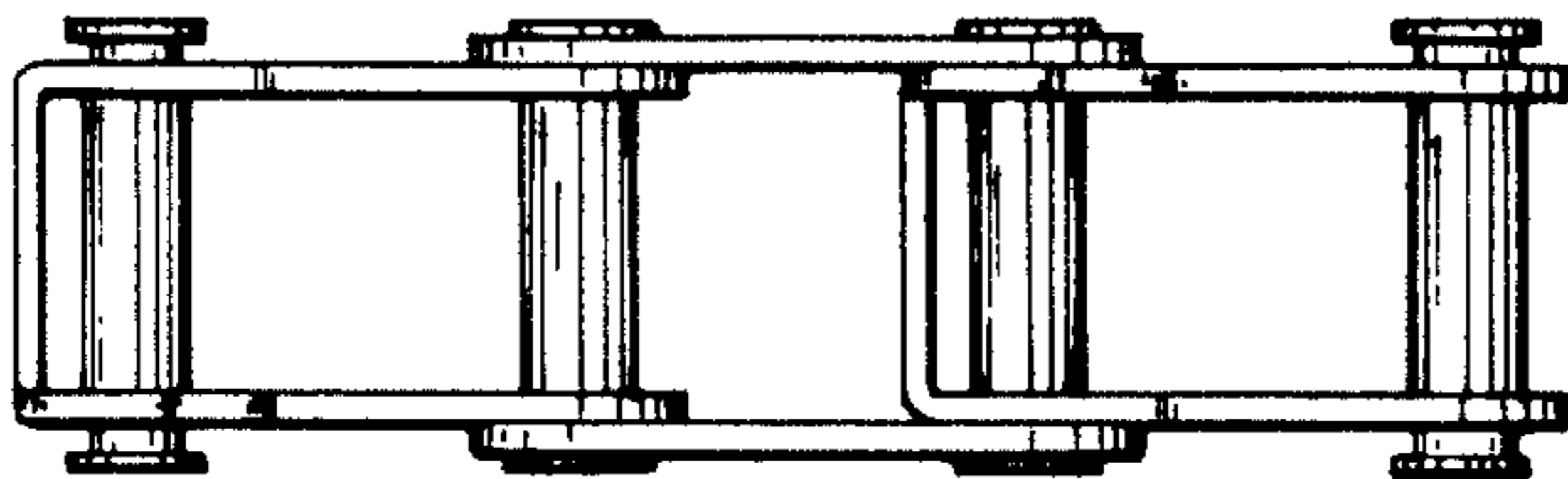


Fig. 2

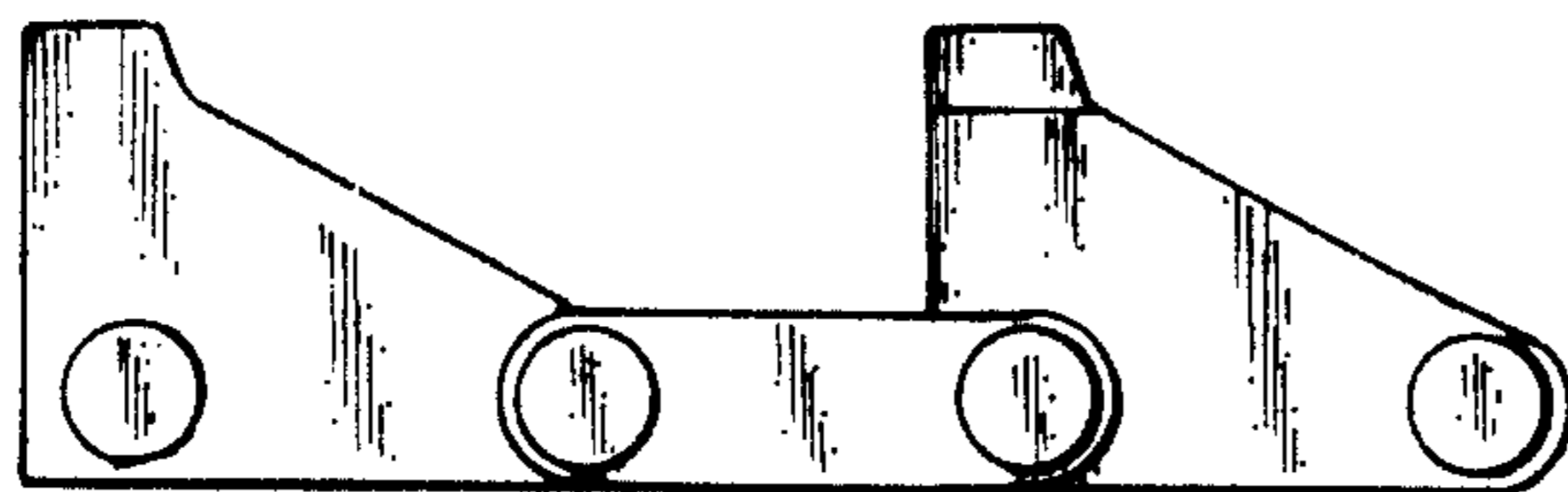


Fig. 3

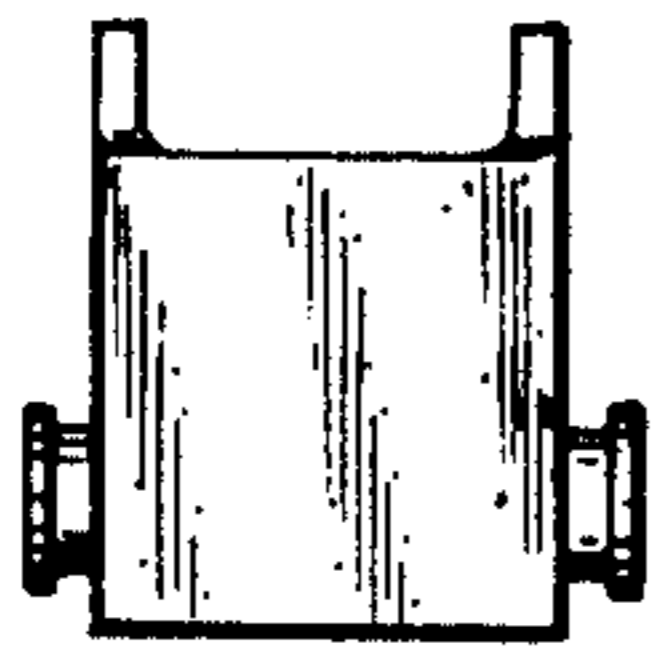


Fig. 4

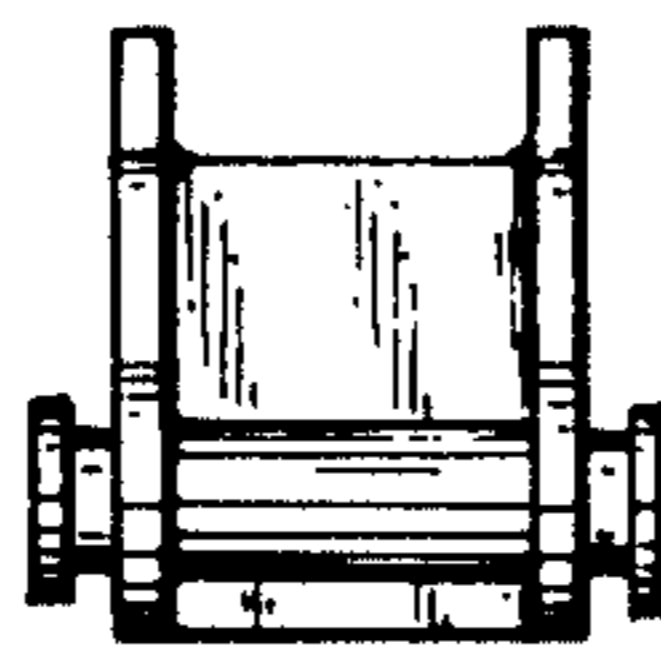


Fig. 5

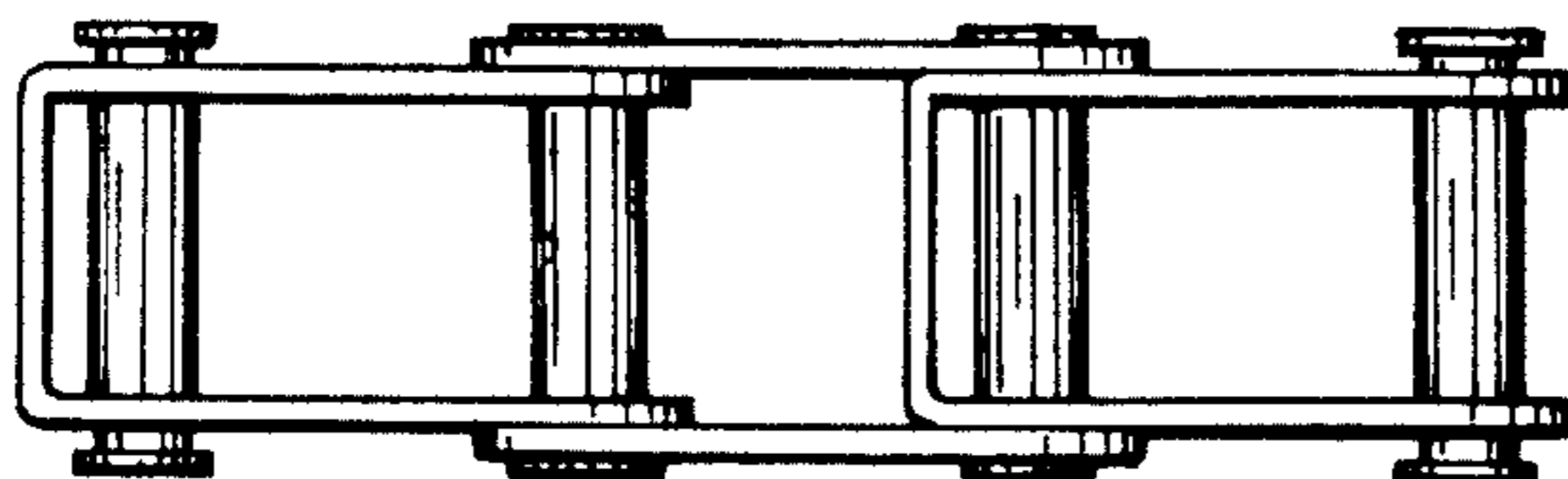


Fig. 6