

[54] **JOIST HANGER**
 [75] **Inventor:** Tyrell T. Gilb, Berkeley, Calif.
 [73] **Assignee:** Simpson Manufacturing Co., Inc., San Leandro, Calif.
 [**] **Term:** 14 Years
 [21] **Appl. No.:** 670,100
 [22] **Filed:** Mar. 24, 1976
 [51] **Int. Cl.** D8-08
 [52] **U.S. Cl.** D8/380
 [58] **Field of Search** D8/373, 380, 349, 354, D8/382; 248/214, 340; 403/189, 190, 191, 231, 232.1; 52/289; D25/98

3,752,512 8/1973 Gilb 403/190

FOREIGN PATENT DOCUMENTS

862,969 2/1971 Canada 403/232.1

OTHER PUBLICATIONS

Sweet's Architectural Catalog File, 1975, vol. 3, Section 6.6/si, p. 8, PH Joist Hanger, lower left side of page.

Primary Examiner—Bernard Ansher
Assistant Examiner—James M. Gandy
Attorney, Agent, or Firm—James R. Cypher

[56] **References Cited**

U.S. PATENT DOCUMENTS

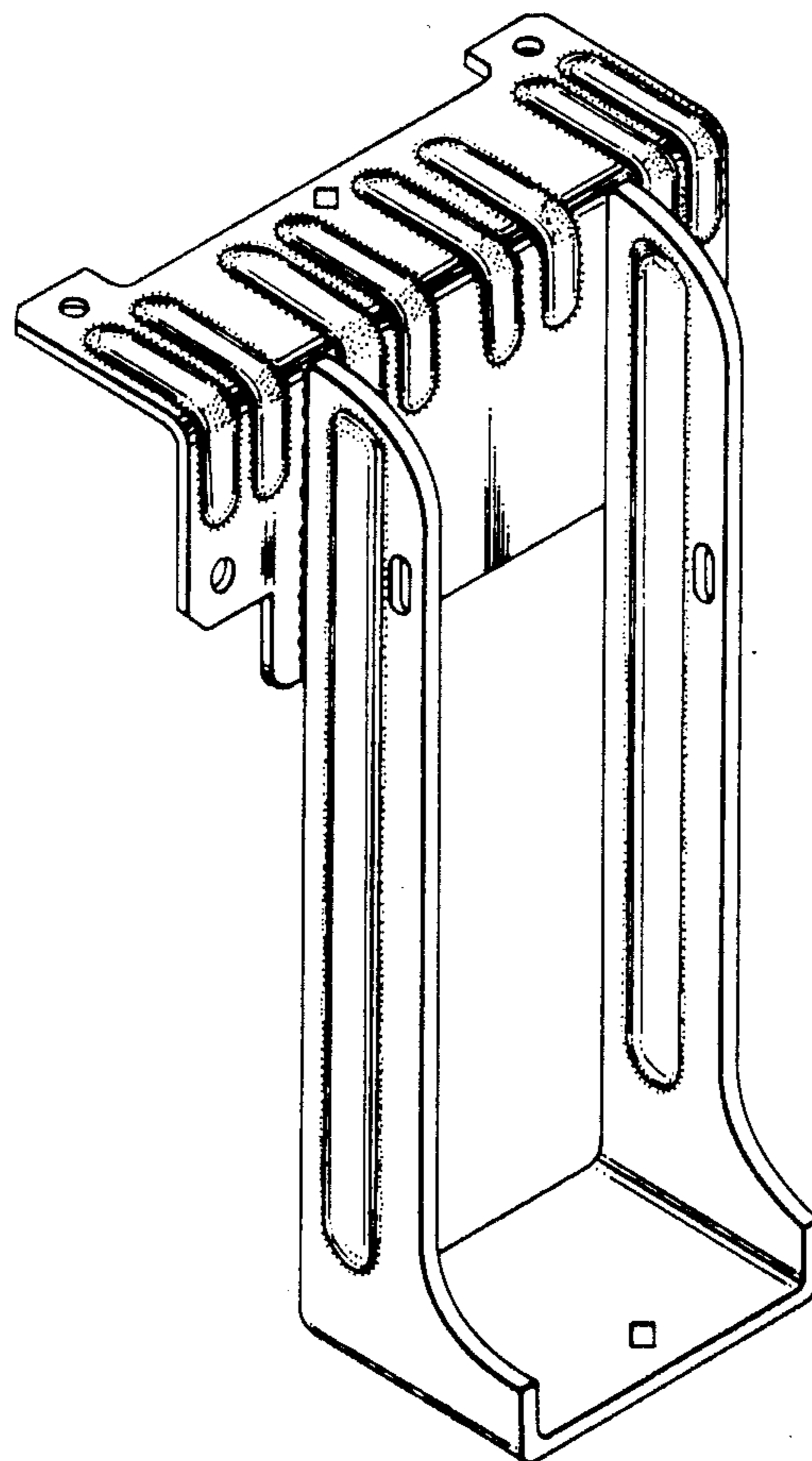
625,427	5/1899	Stewart et al.	403/190
753,053	2/1904	Eberhardt	403/190
770,050	9/1940	Dreyer	403/190
874,514	12/1907	Lindow	403/190
3,633,950	1/1972	Gilb	52/289

[57] **CLAIM**

The ornamental design for a joist hanger, substantially as shown and described.

DESCRIPTION

FIG. 1 is a perspective view of the joist hanger showing my new design;
 FIG. 2 is a front elevation view thereof.
 FIG. 3 is a side elevation view thereof.
 FIG. 4 is a rear elevation view thereof.



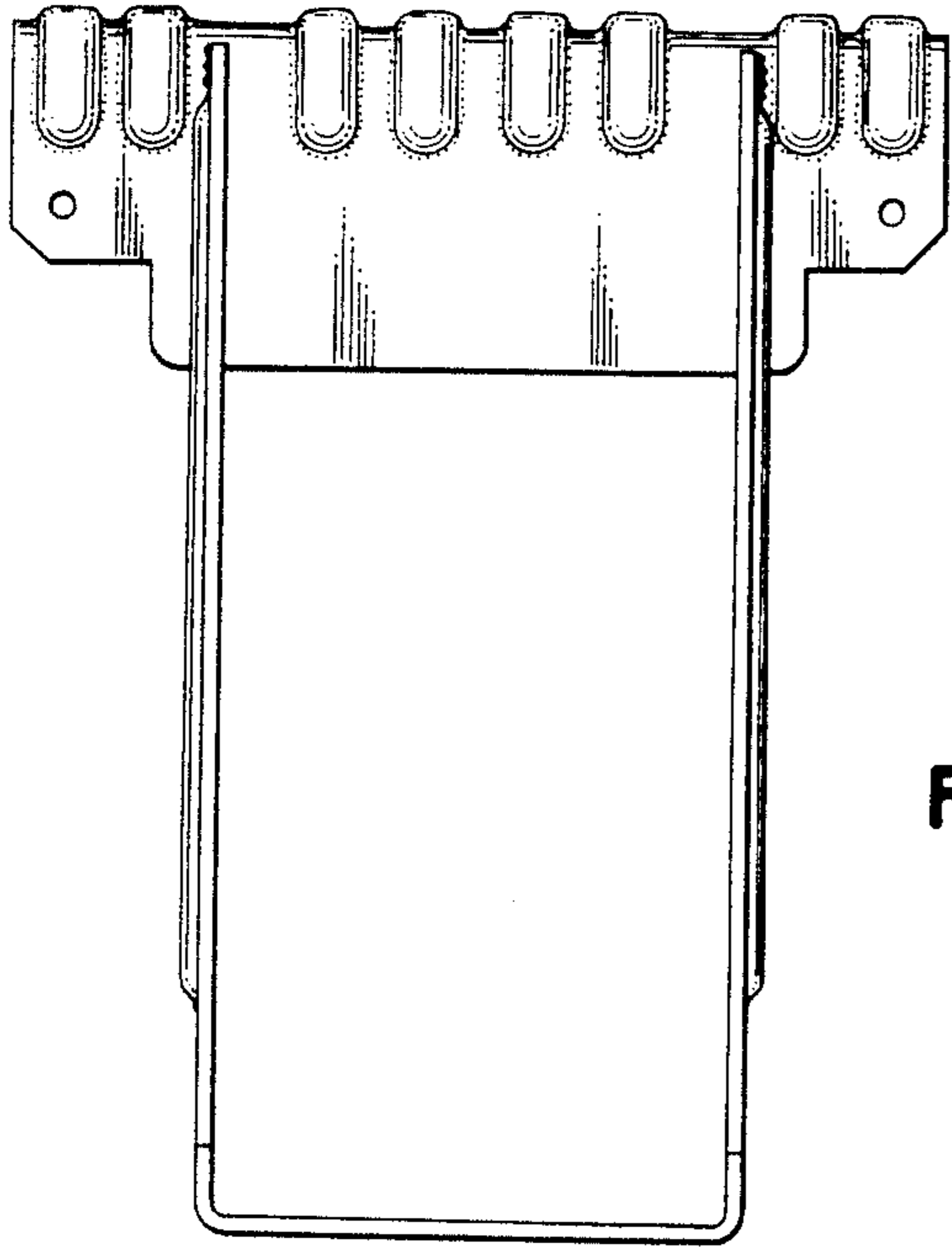


FIG. 2

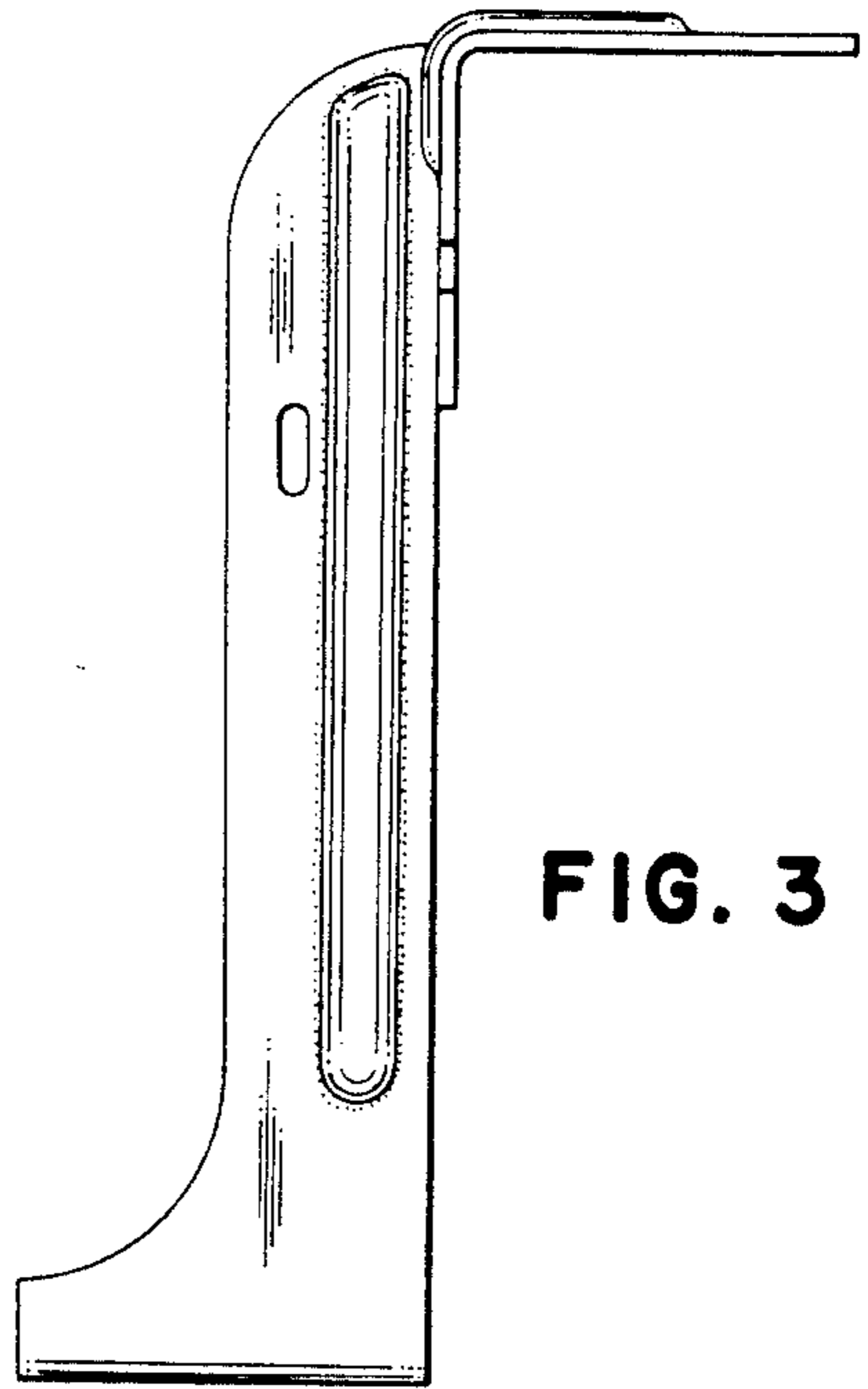


FIG. 3

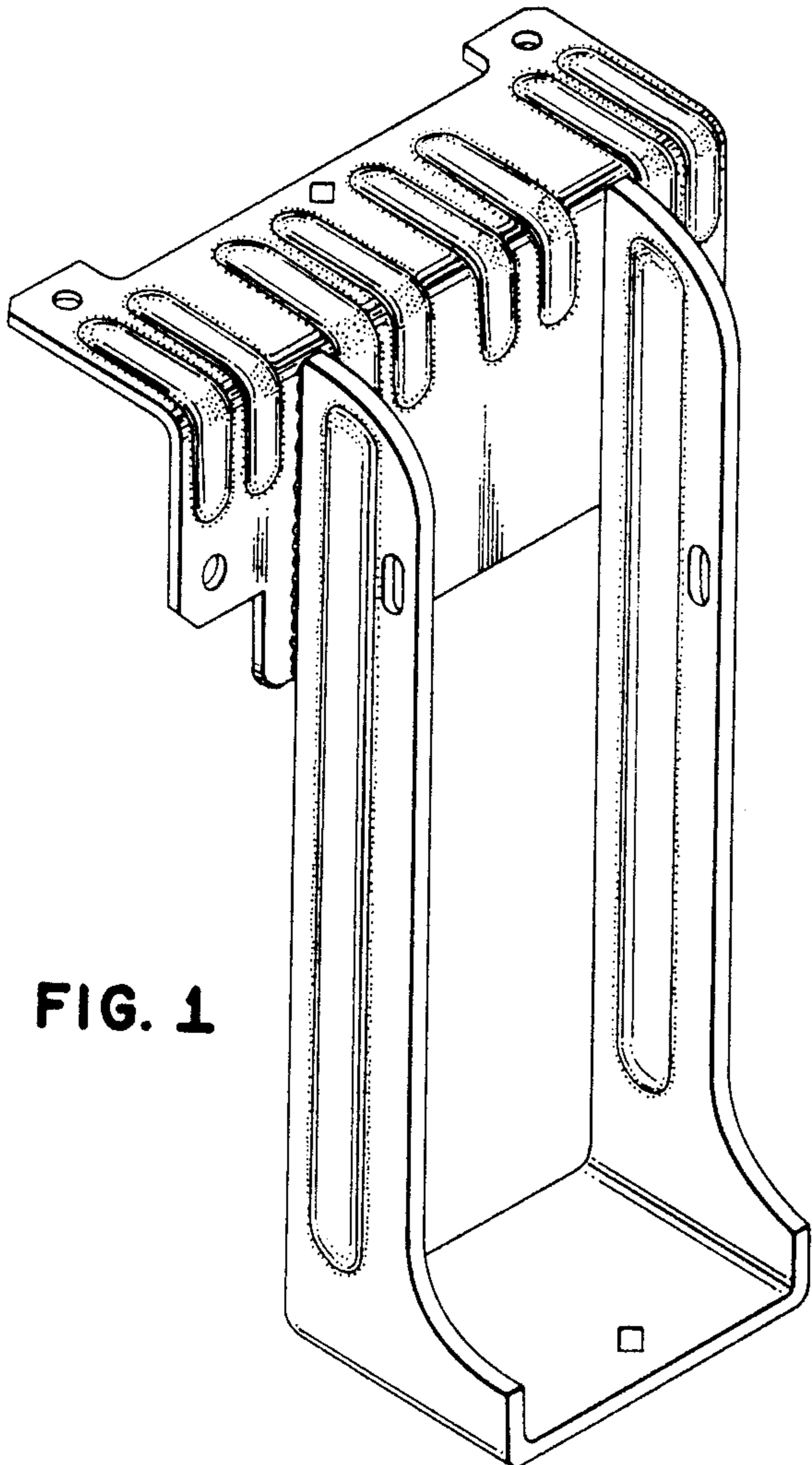


FIG. 1

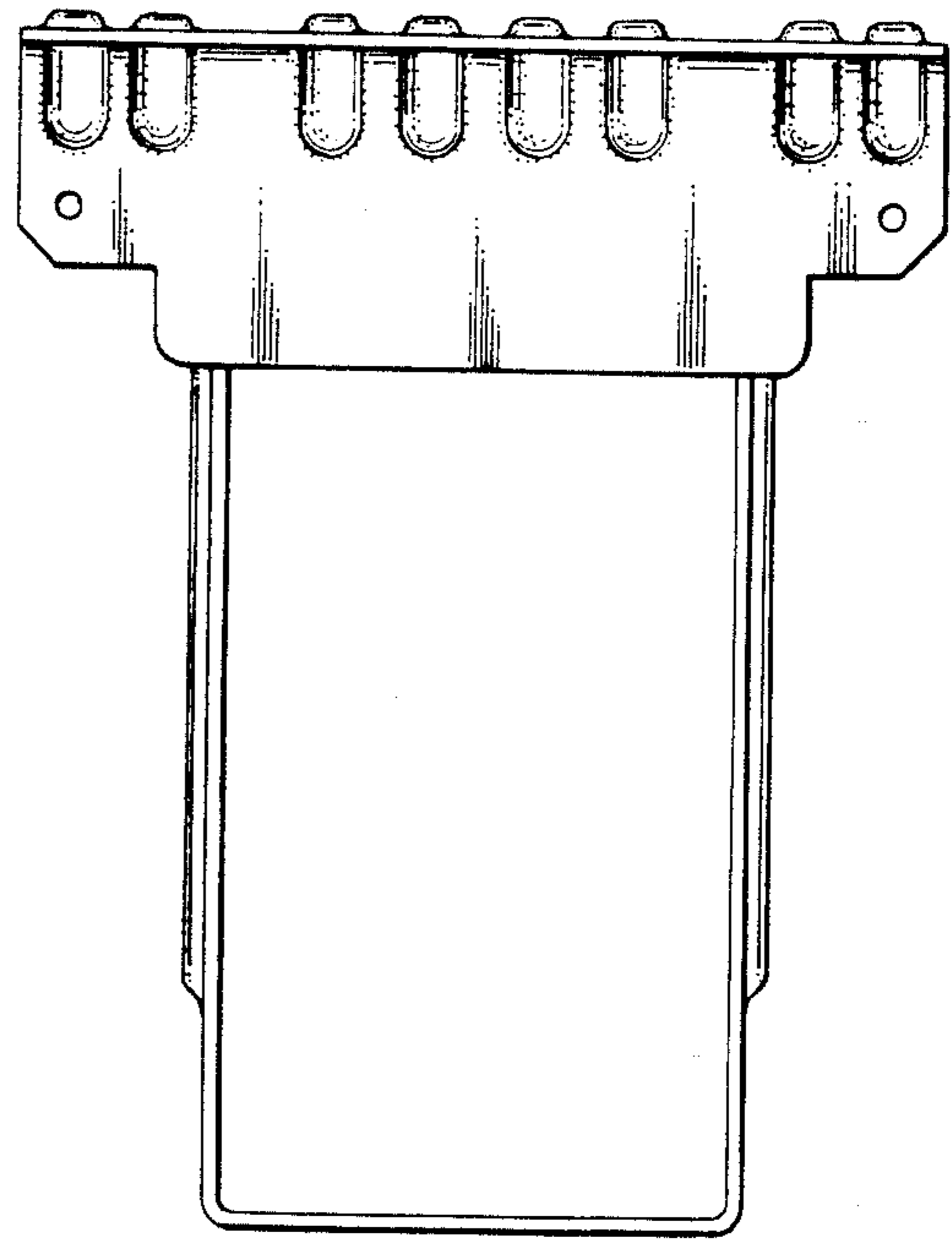


FIG. 4