

[54] COMBINED CAKE AND PIE CUTTER

[75] Inventor: Richard McGee, III, Ingle-wood, Calif.

[73] Assignees: Marcos Fastlicht, by said Richard McGee, III, as part interest to each

[\*\*] Term: 14 Years

[21] Appl. No.: 762,288

[22] Filed: Jan. 25, 1977

[51] Int. Cl. .... D7-04

[52] U.S. Cl. .... D7/142; 30/14

[58] Field of Search ..... 30/114, 299; 294/7; D7/142, 106

[56] References Cited

U.S. PATENT DOCUMENTS

593,386 11/1897 Williams ..... 30/114 X  
1,130,234 3/1915 Wrobel ..... 294/7 X

1,716,841 6/1929 Stone ..... 30/279 R X  
2,067,247 1/1937 Soteros ..... 30/114 X  
2,264,486 12/1941 Smith et al. .... 30/114  
2,841,868 7/1958 O'Brien ..... D7/142 X

Primary Examiner—Winifred E. Herrmann  
Attorney, Agent, or Firm—Harvey S. Hertz

[57] CLAIM

The ornamental design for a combined cake and pie cutter, substantially as shown and described.

DESCRIPTION

FIG. 1 is a perspective view of the top, front, and left side of a combined cake and pie cutter showing the first embodiment of my new design;  
FIG. 2 is a perspective view of FIG. 1 showing the bottom rear and right side thereof;  
FIG. 3 is a perspective view of the bottom rear and right side of a second embodiment of my new design;  
FIG. 4 is a perspective view of the design of FIG. 3 showing the top front and left side thereof; and  
FIG. 5 is a cross-sectional view on an enlarged scale of the blade of the design shown in FIGS. 1-4 taken along line 5-5 of FIG. 3.

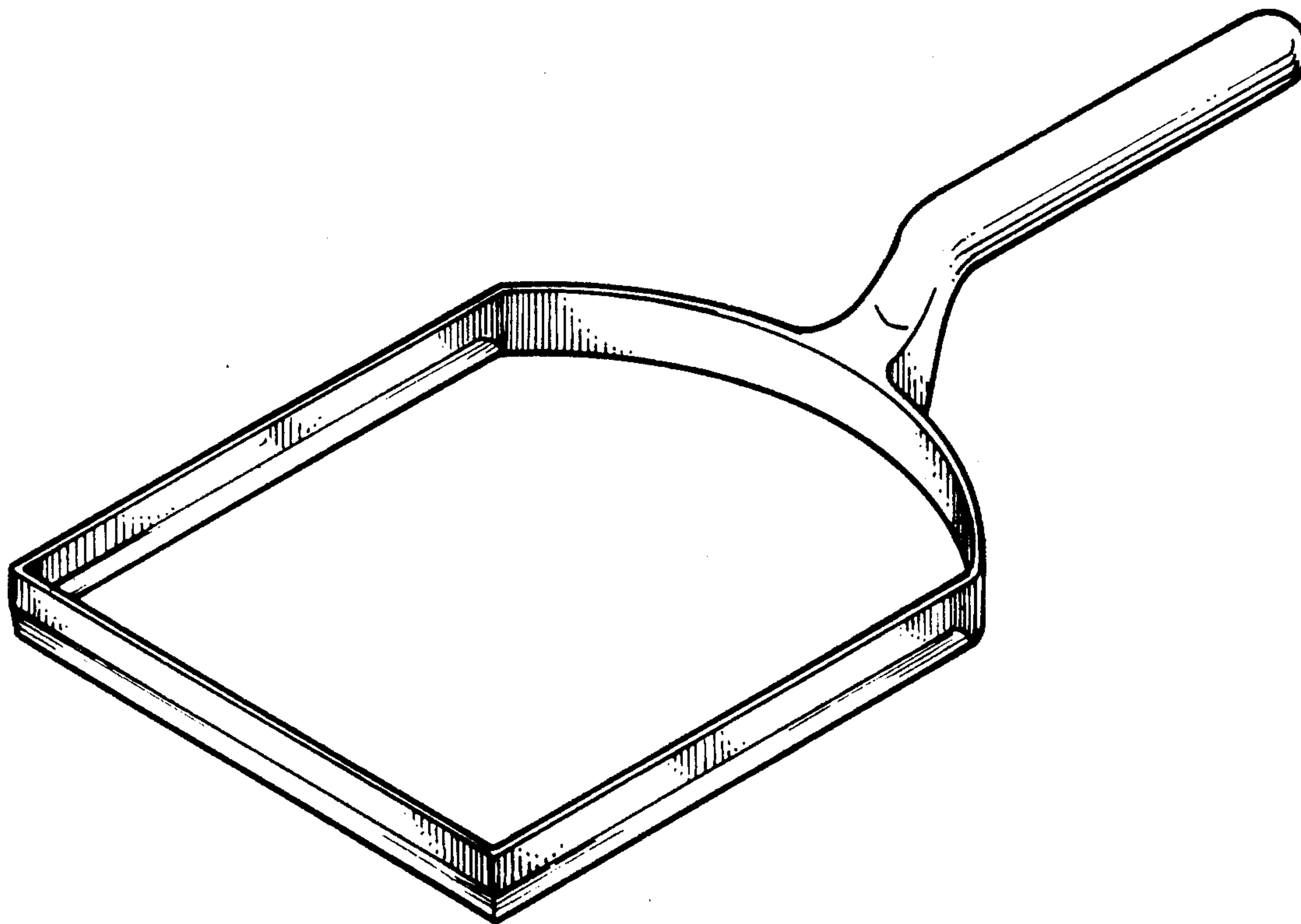


FIG. 1

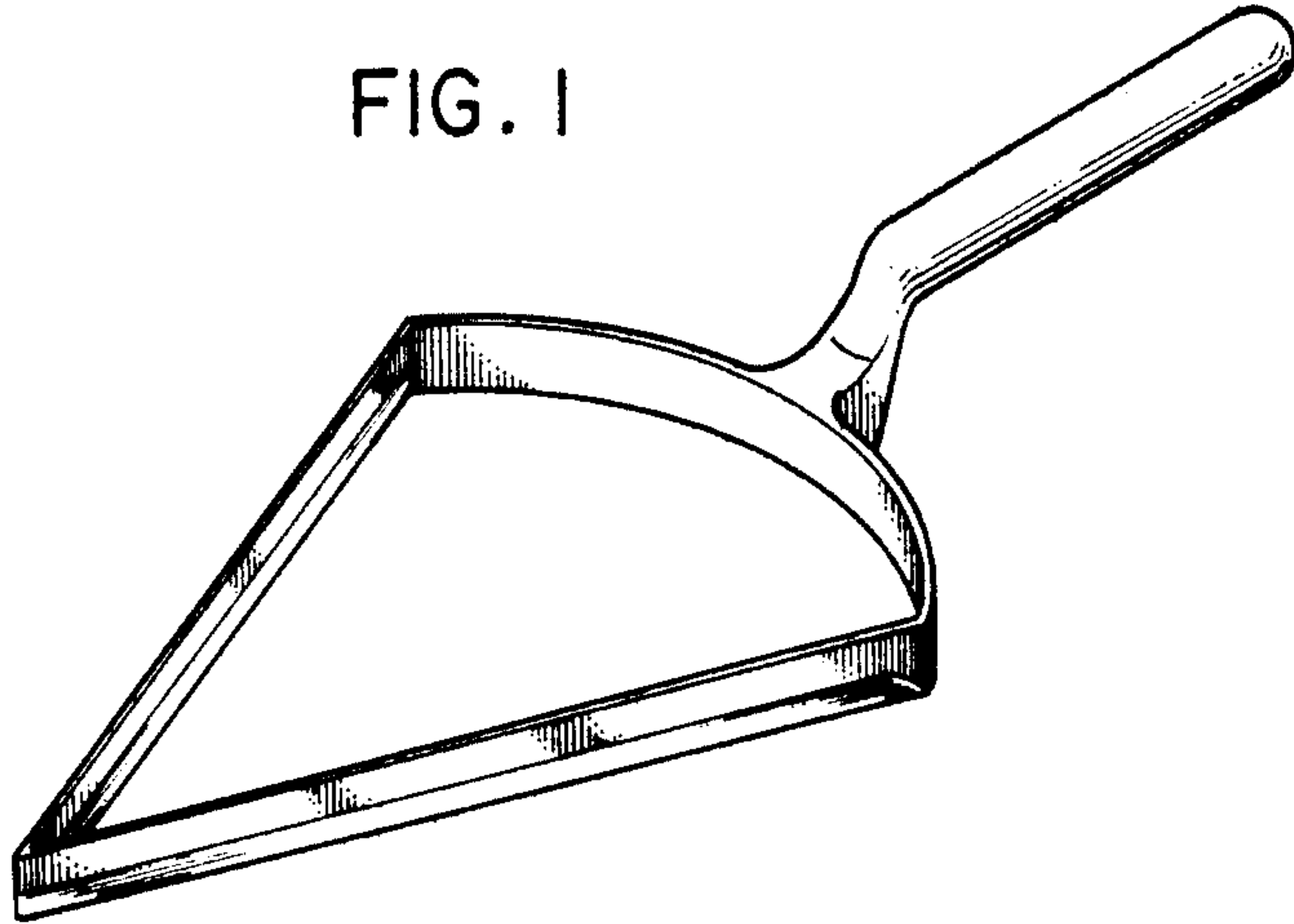


FIG. 2

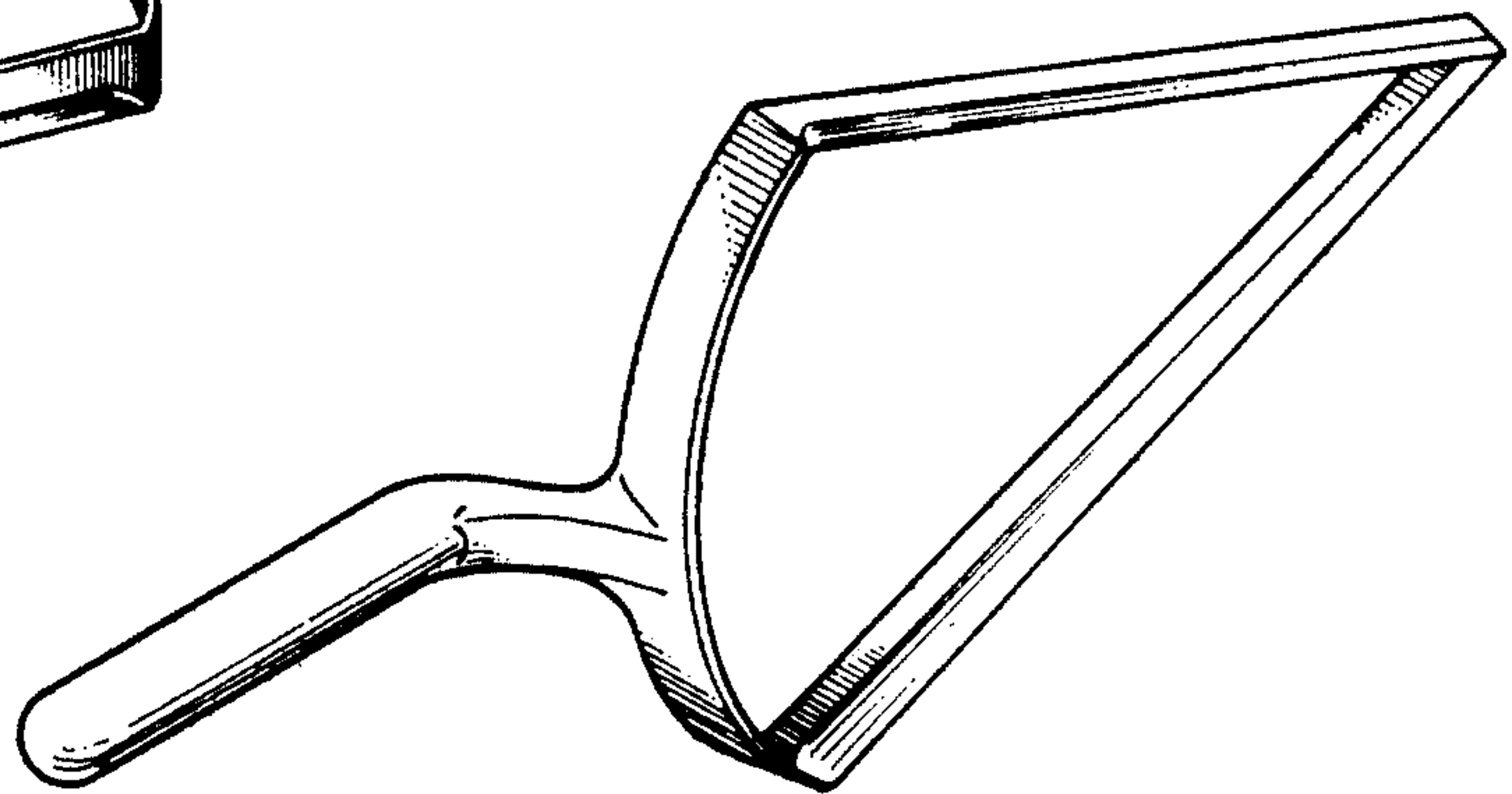


FIG. 5



FIG. 3

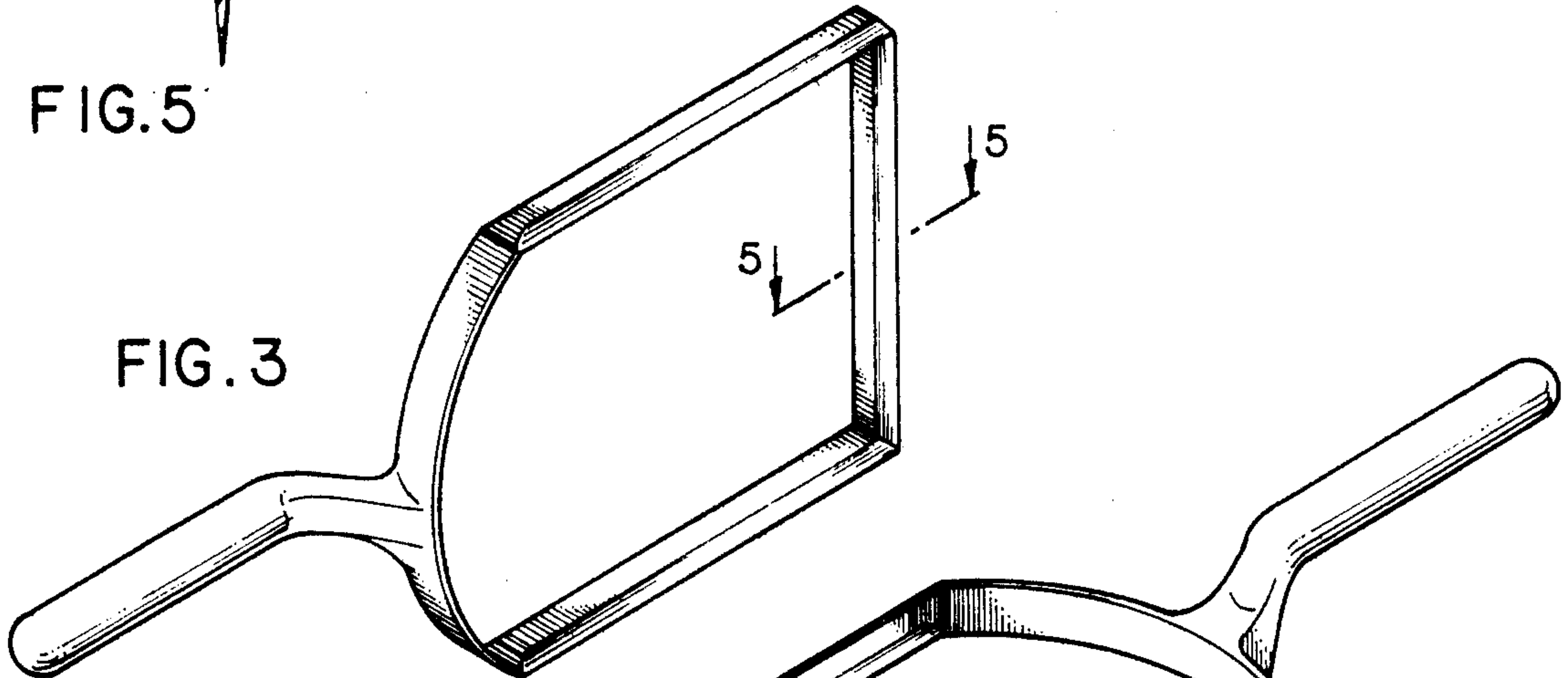


FIG. 4

