

[54] STAND FOR FLOWERS OR THE LIKE

[76] Inventor: **Walter T. Kola**, 1418 Highland,  
Joliet, Ill. 60435

[\*\*] Term: **14 Years**

[21] Appl. No.: **793,560**

[22] Filed: **May 4, 1977**

[51] Int. Cl. .... **D6-06; D6-04**

[52] U.S. Cl. .... **D6/183; D6/181**

[58] Field of Search ..... **D6/13, 29, 20, 23, 24,**  
**D6/25, 145, 146, 175, 177, 179, 181-186,**  
**188-190, 16; 47/39; 211/74, 77, 78, 126, 133,**  
**134, 144; 108/27, 59, 92**

[56] **References Cited**

**U.S. PATENT DOCUMENTS**

D. 109,295	4/1938	Erickson .....	D6/186
D. 224,822	9/1972	Lee, Jr. ....	D6/16
684,886	10/1901	Tobey .....	108/27
3,760,534	9/1973	Choux et al. ....	47/39

*Primary Examiner*—Wallace R. Burke

*Assistant Examiner*—B. J. Bullock

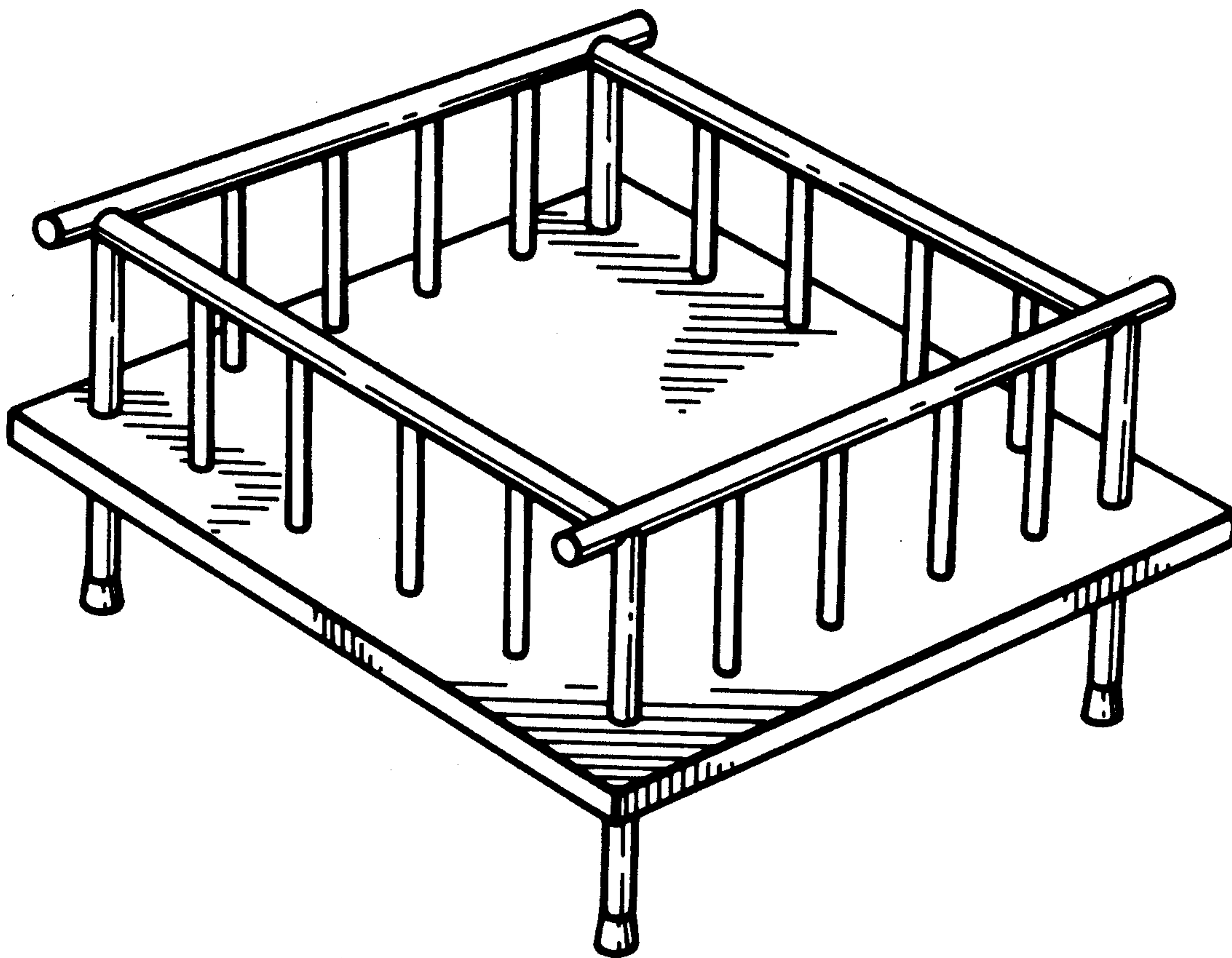
*Attorney, Agent, or Firm*—Ernest S. Kettelson

[57] **CLAIM**

The ornamental design for a stand for flowers or the like, as shown.

**DESCRIPTION**

FIG. 1 is an isometric view of a stand for flowers or the like showing my new design;  
FIG. 2 is a side elevational view thereof.



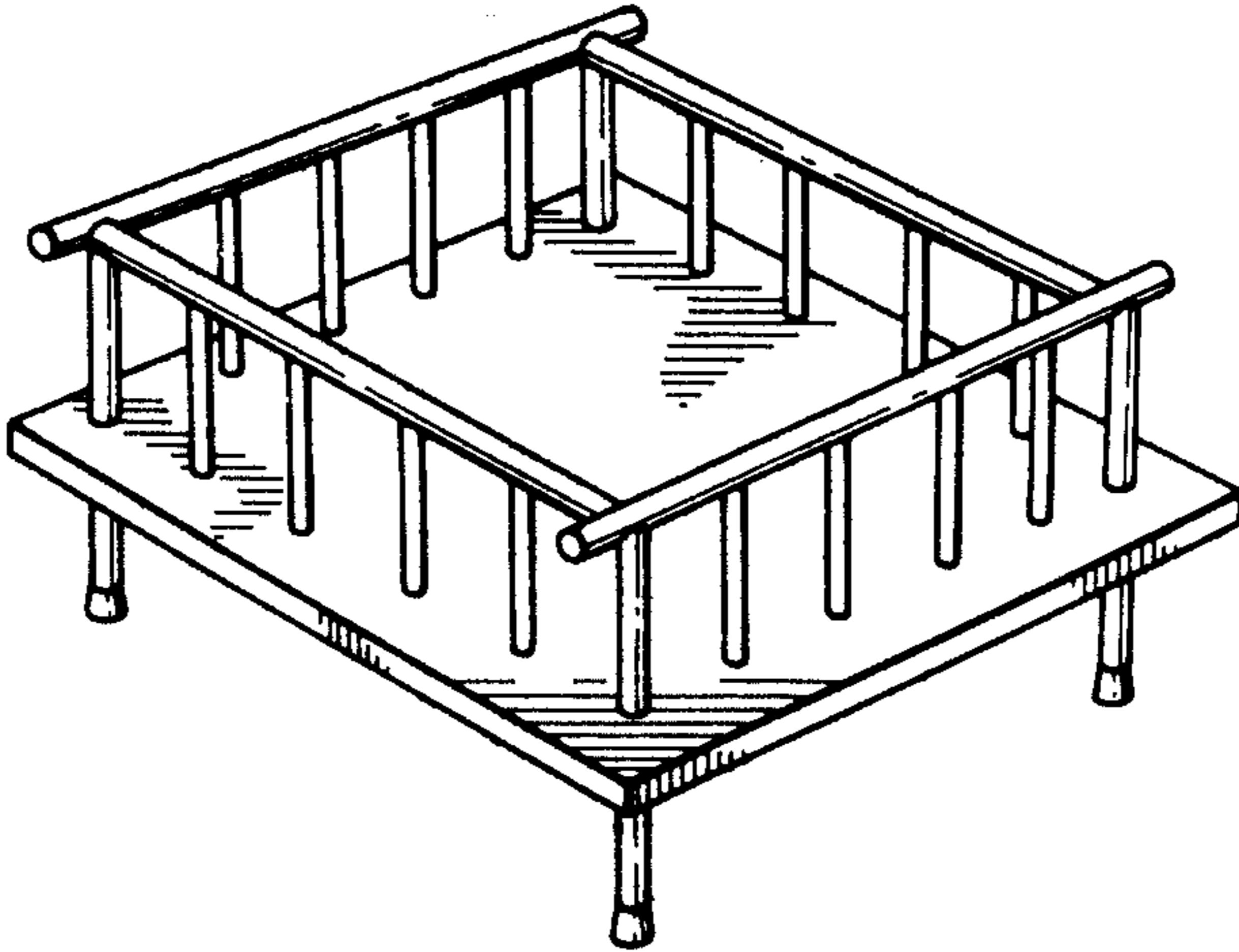


FIG. 1

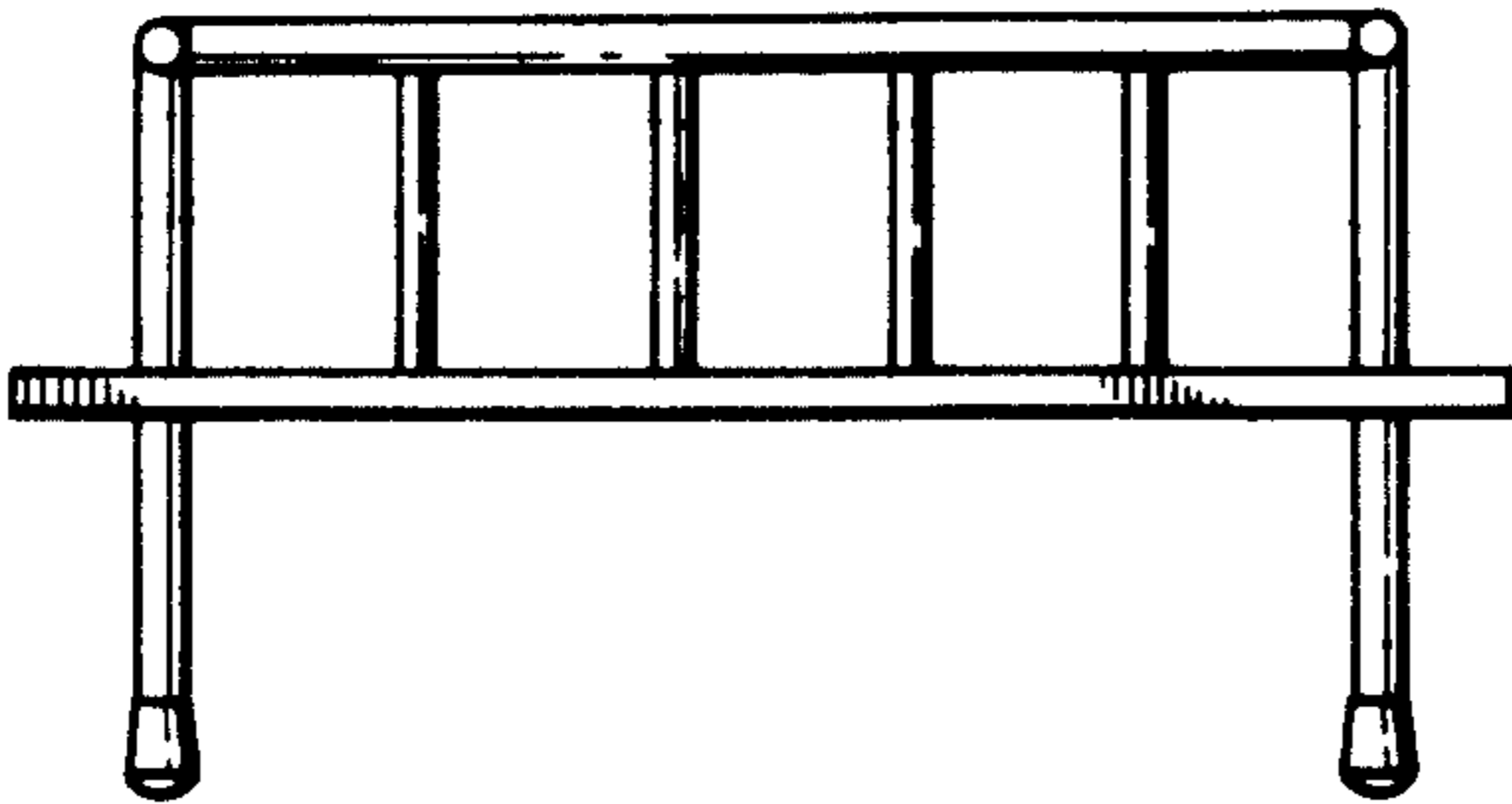


FIG. 2