

[54] CHECK WRITING DESK
[75] Inventor: David A. O'Connor, Norfolk, Va.
[73] Assignee: Virginia National Bankshares, Inc.,
Norfolk, Va.
[**] Term: 14 Years
[21] Appl. No.: 669,605
[22] Filed: Mar. 23, 1976
[51] Int. Cl. D6-04
[52] U.S. Cl. D6/157; D6/161;
D6/788
[58] Field of Search D6/138, 156, 157, 158,
D6/159, 165, 176, 179, 181, 186, 188, 189, 190;
248/444

[56] **References Cited**
U.S. PATENT DOCUMENTS

D. 67,394 5/1925 Cornwell D6/138
D. 212,541 10/1968 Taylor D6/138
D.232,286 8/1974 Galuten D6/188 X
D. 237,334 10/1975 Garofalo, Jr. D6/138

3,172,636 3/1965 Collier 248/444

Primary Examiner—Bruce W. Dunkins
Attorney, Agent, or Firm—Edward J. Kondracki

[57] **CLAIM**

The ornamental design for a check writing desk as shown.

DESCRIPTION

FIG. 1 is an overhead perspective view of a check writing desk showing my design.
FIG. 2 is a top plan view of the check writing desk shown in FIG. 1;
FIG. 3 is a front elevational view of the check writing desk of FIG. 1;
FIG. 4 is a rear elevational view of the check writing desk of FIG. 1;
FIG. 5 is a side elevational view of FIG. 2, viewing the check writing desk as seen in the drawings from the right hand side; and,
FIG. 6 is a side elevational view of FIG. 2, viewing the check writing desk as seen in the drawings from the left hand side.

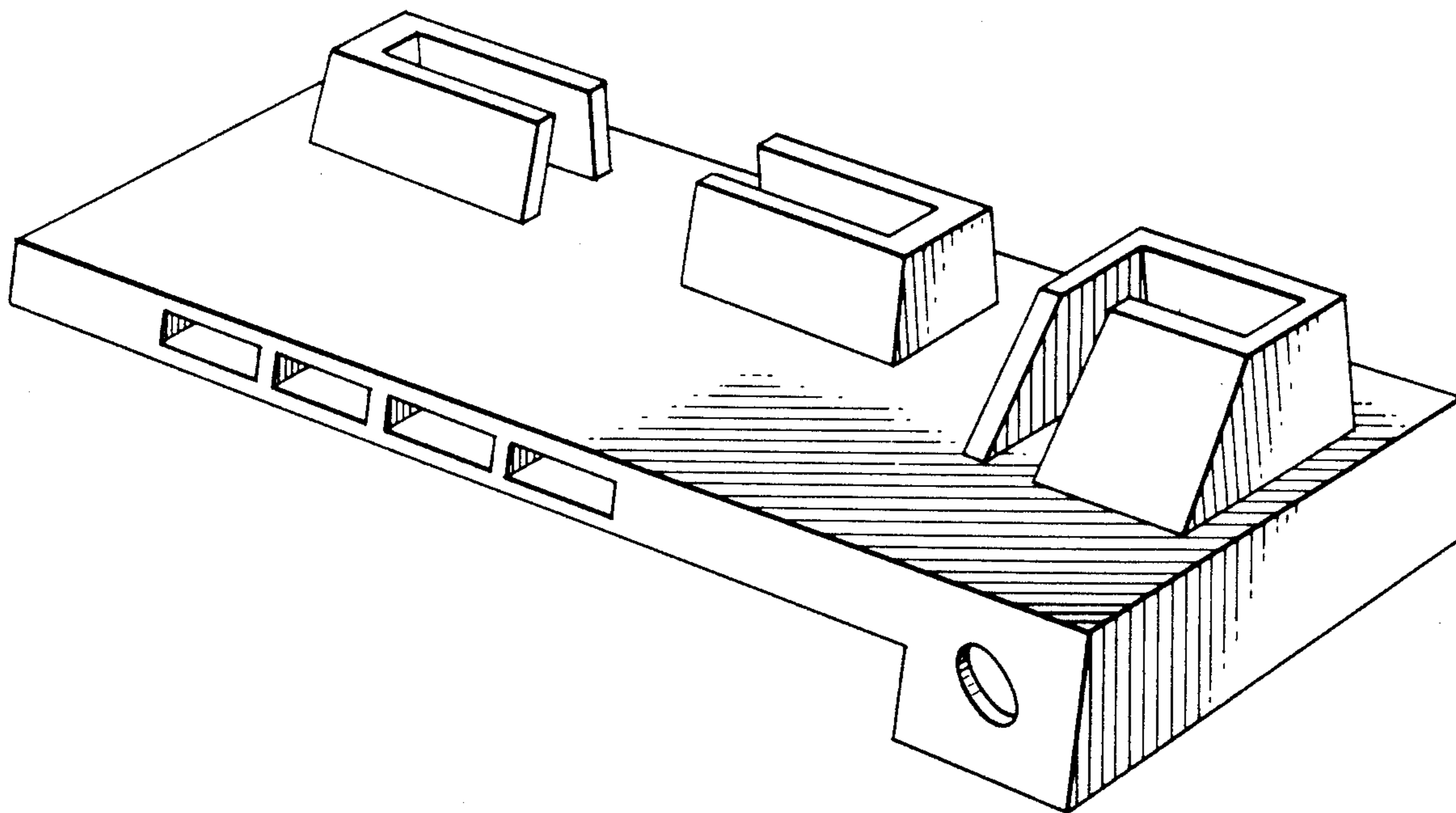


FIG. 1.

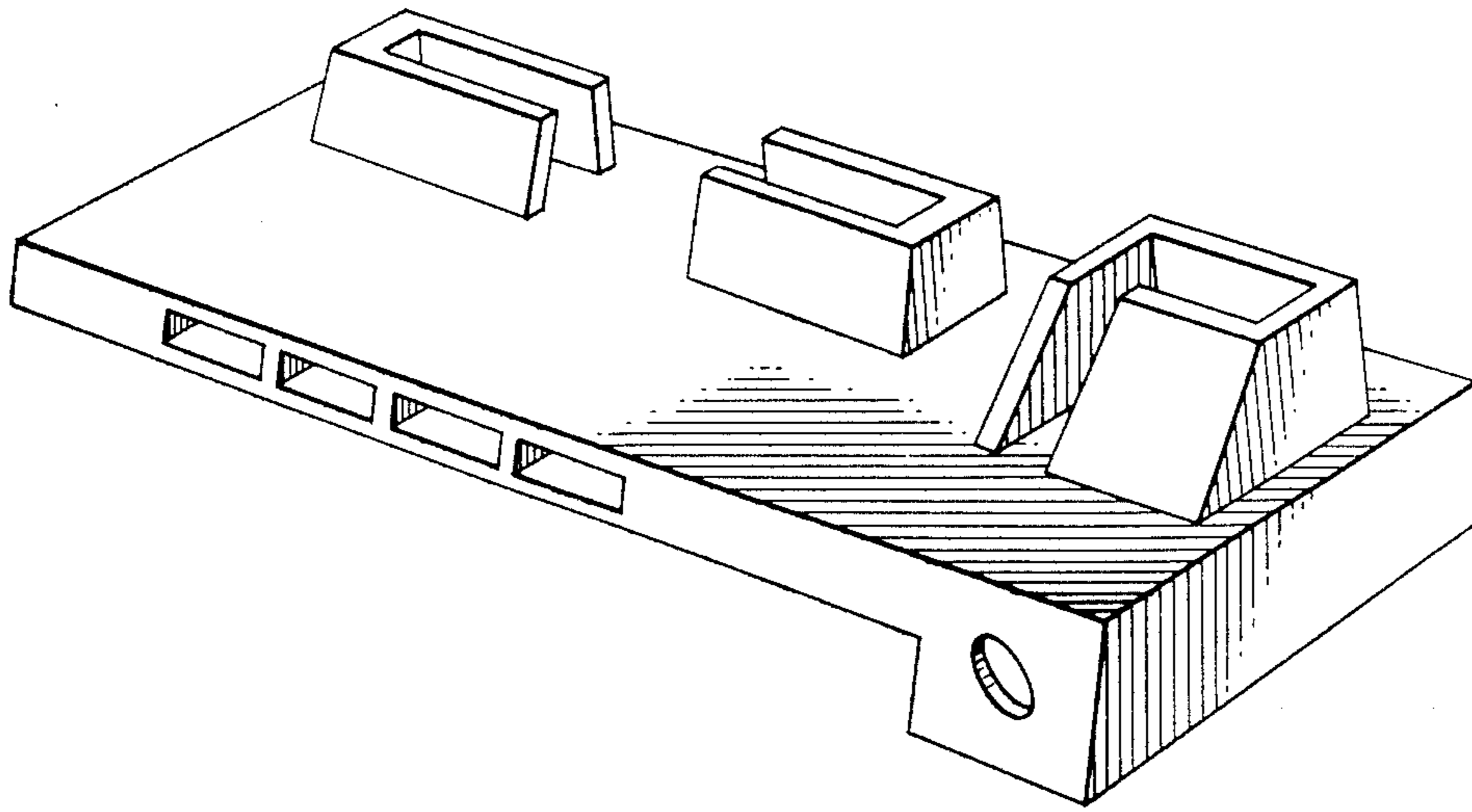


FIG. 2.

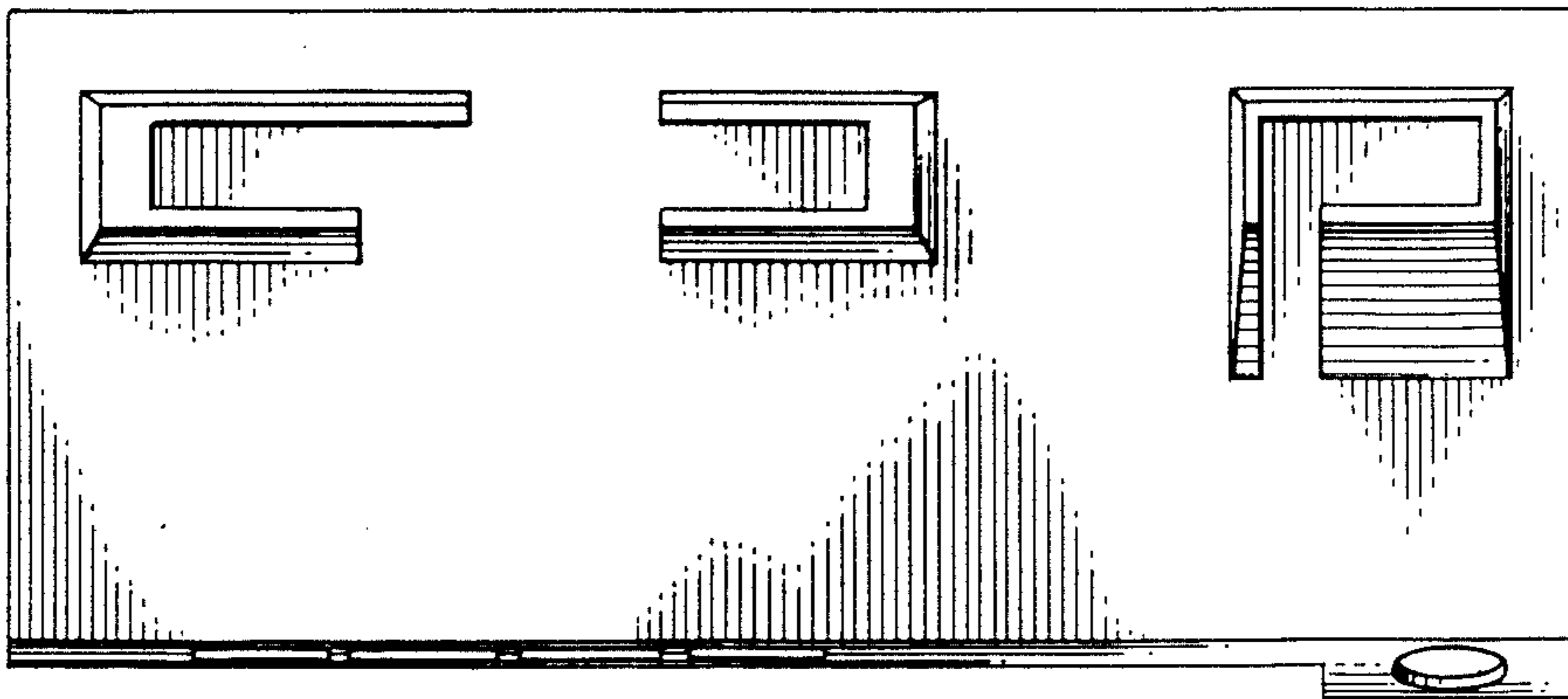


FIG. 3.

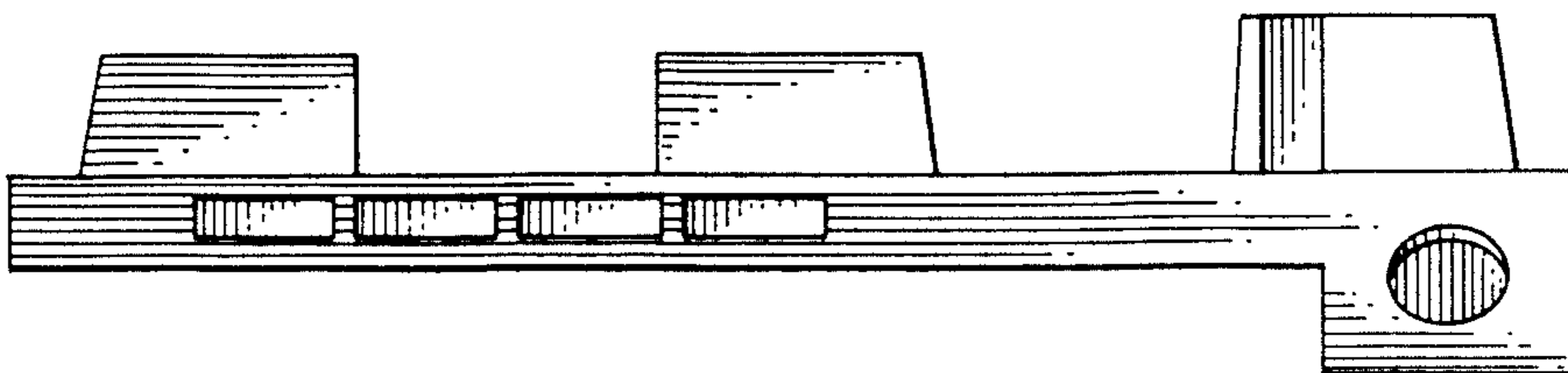


FIG. 4.

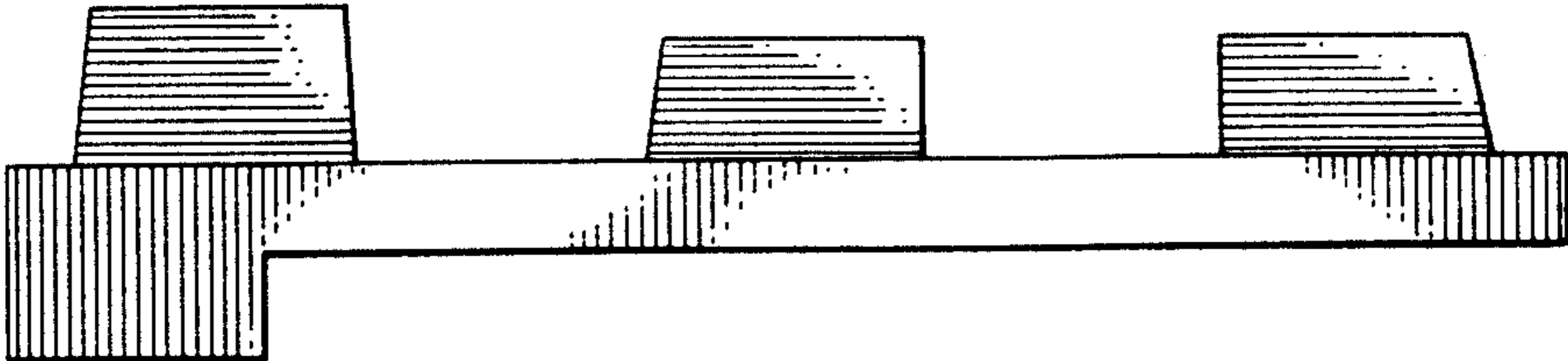


FIG. 5.

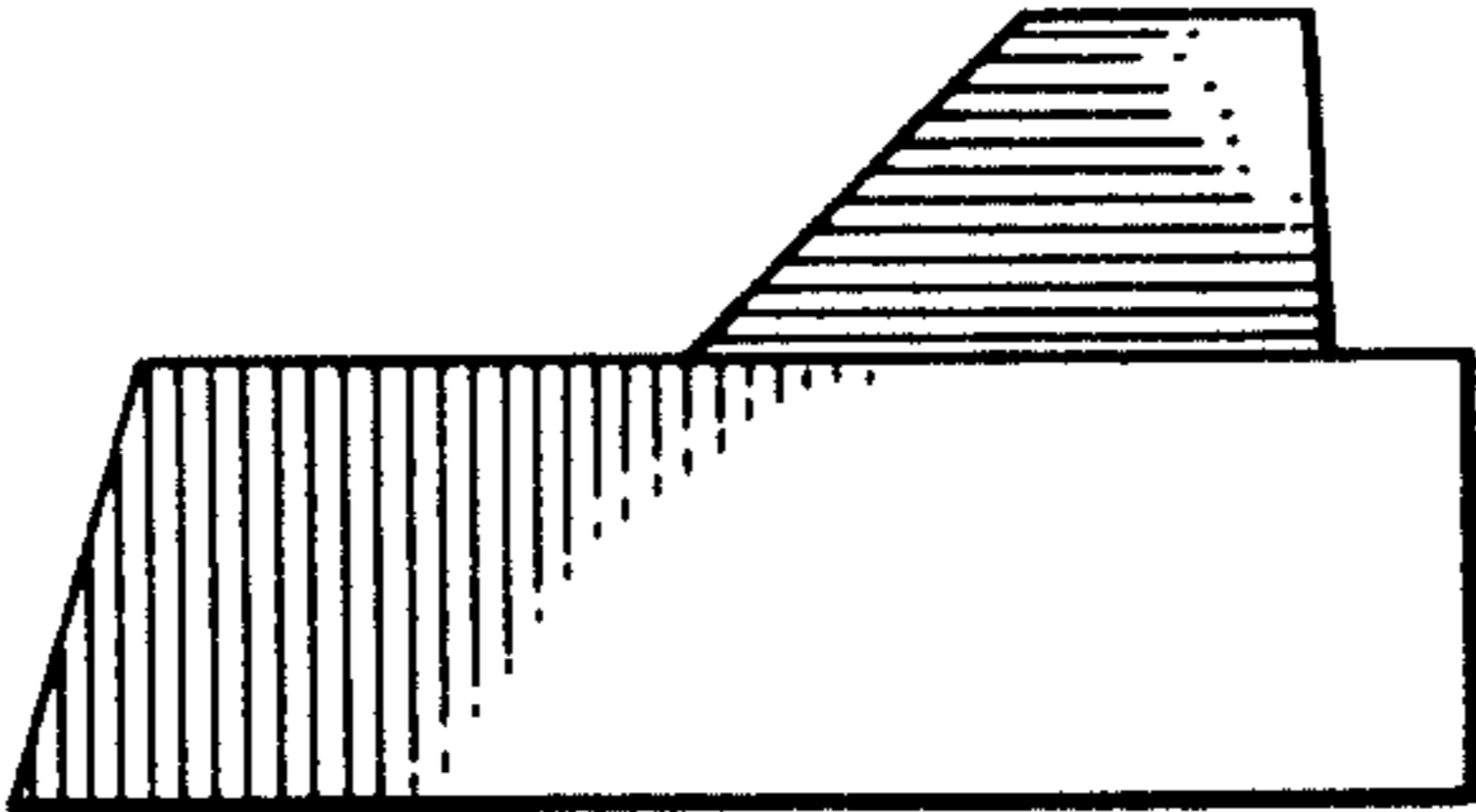


FIG. 6.

