

[54] SEAT
 [75] Inventor: Robert L. Wilson, Senatobia, Miss.
 [73] Assignee: Chromcraft Corporation,
 Amsterdam, N.Y.
 [**] Term: 14 Years
 [21] Appl. No.: 730,047
 [22] Filed: Oct. 6, 1976
 [51] Int. Cl. D6—01
 [52] U.S. Cl. D6/63; D6/73
 [58] Field of Search D6/20, 26, 30, 31, 37-39,
 D6/45, 46, 47, 59, 61-63, 67-78

D. 237,923 12/1975 Winrow D6/73
 D. 238,836 2/1976 Costabile D6/63
 D. 243,217 2/1977 Warsaw D6/63
 D. 244,109 4/1977 Zola D6/73

Primary Examiner—Bruce W. Dunkins
 Attorney, Agent, or Firm—Joseph P. Flanagan

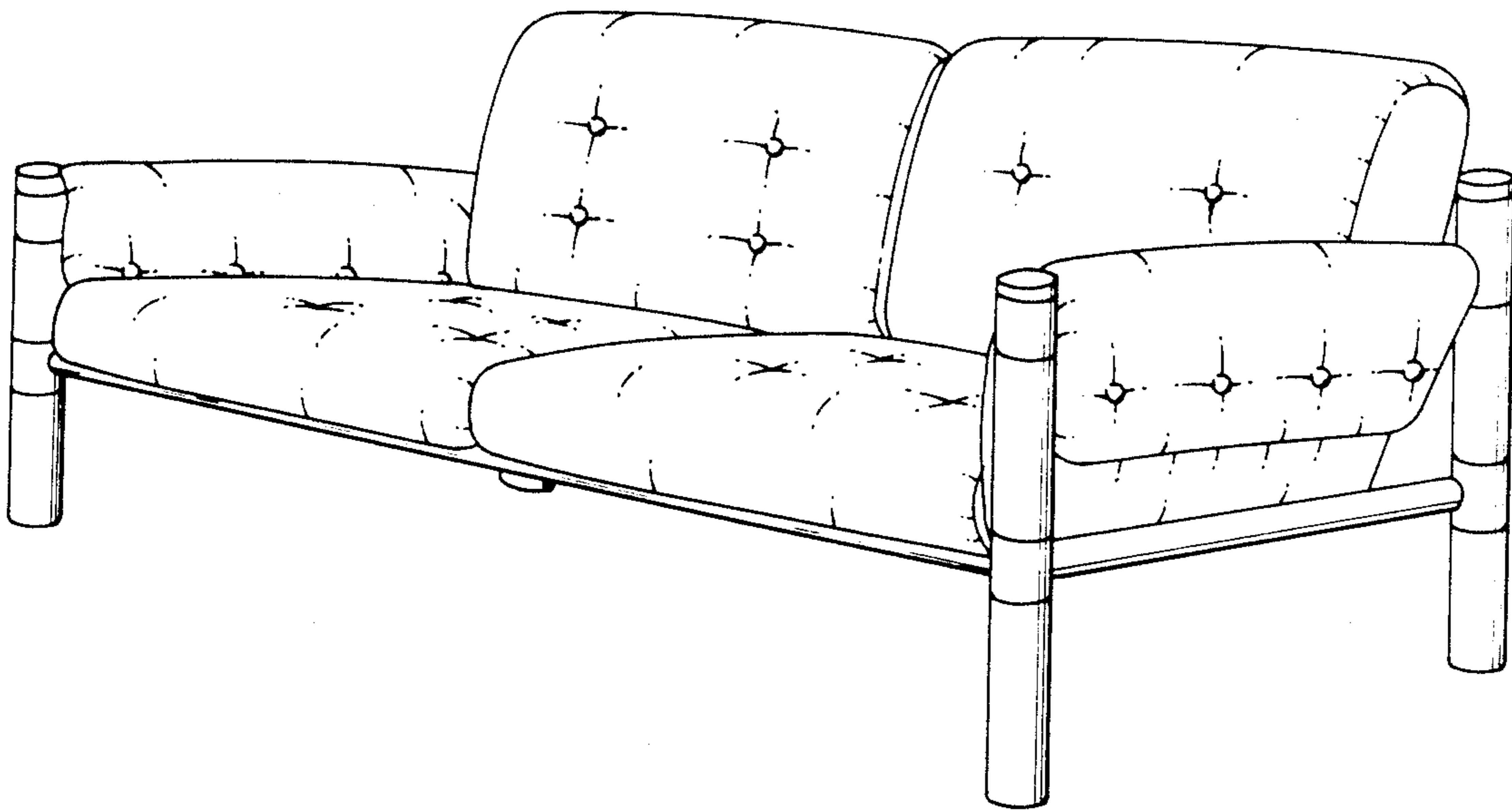
[57] CLAIM

The ornamental design for a seat, as shown and described.

DESCRIPTION

FIG. 1 is a perspective view of the design of the instant invention embodied in a loveseat.
 FIG. 2 is a perspective view of the design of the instant invention embodied in a loveseat.
 FIG. 3 is a perspective view of the design of the instant invention embodied in a chair.
 FIG. 4 is a perspective view of the design of the instant invention embodied in a chair.

[56] References Cited
 U.S. PATENT DOCUMENTS
 D. 229,135 11/1973 Ruoslahti D6/73 X
 D. 229,256 11/1973 Long D6/63



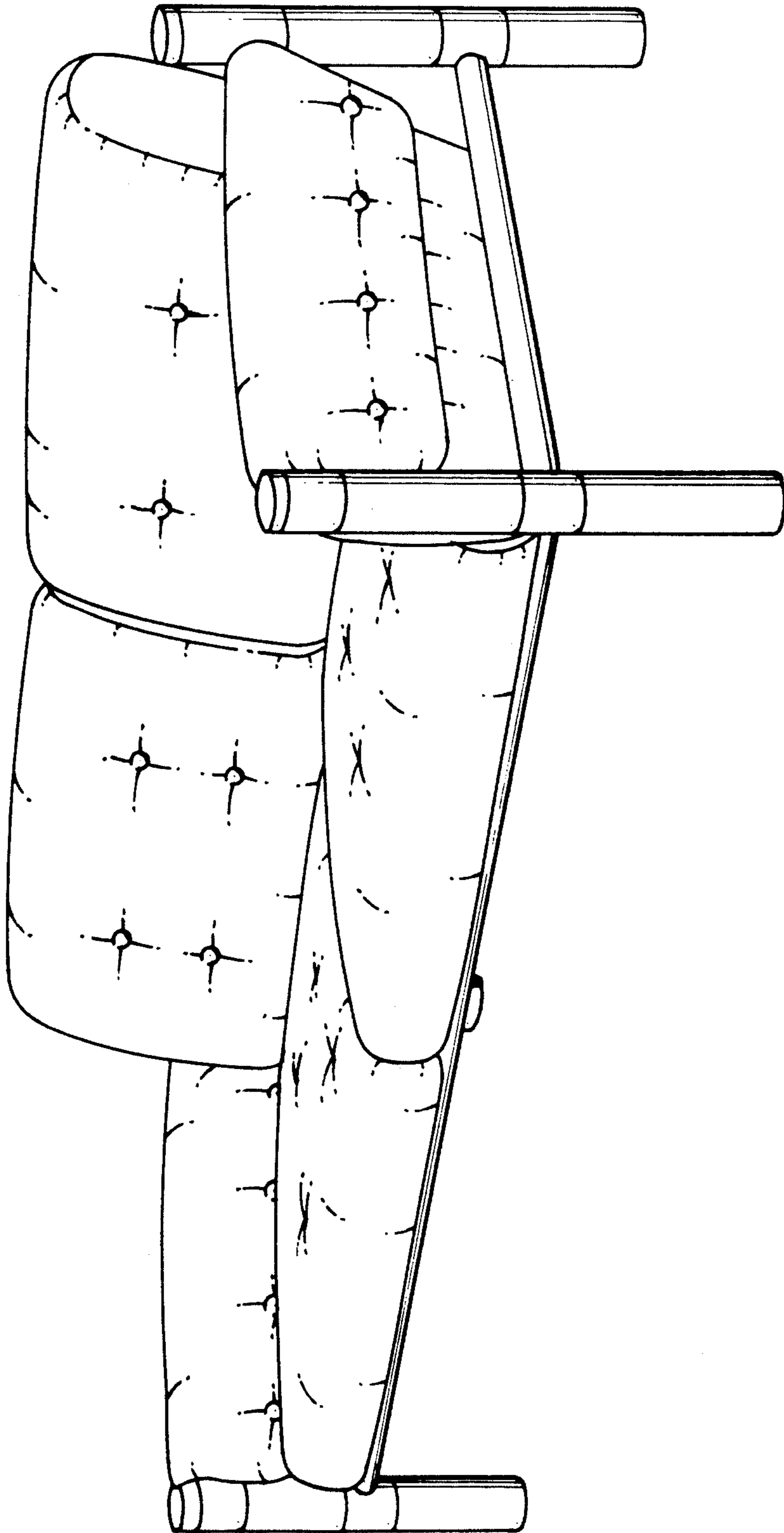


FIG. 1.

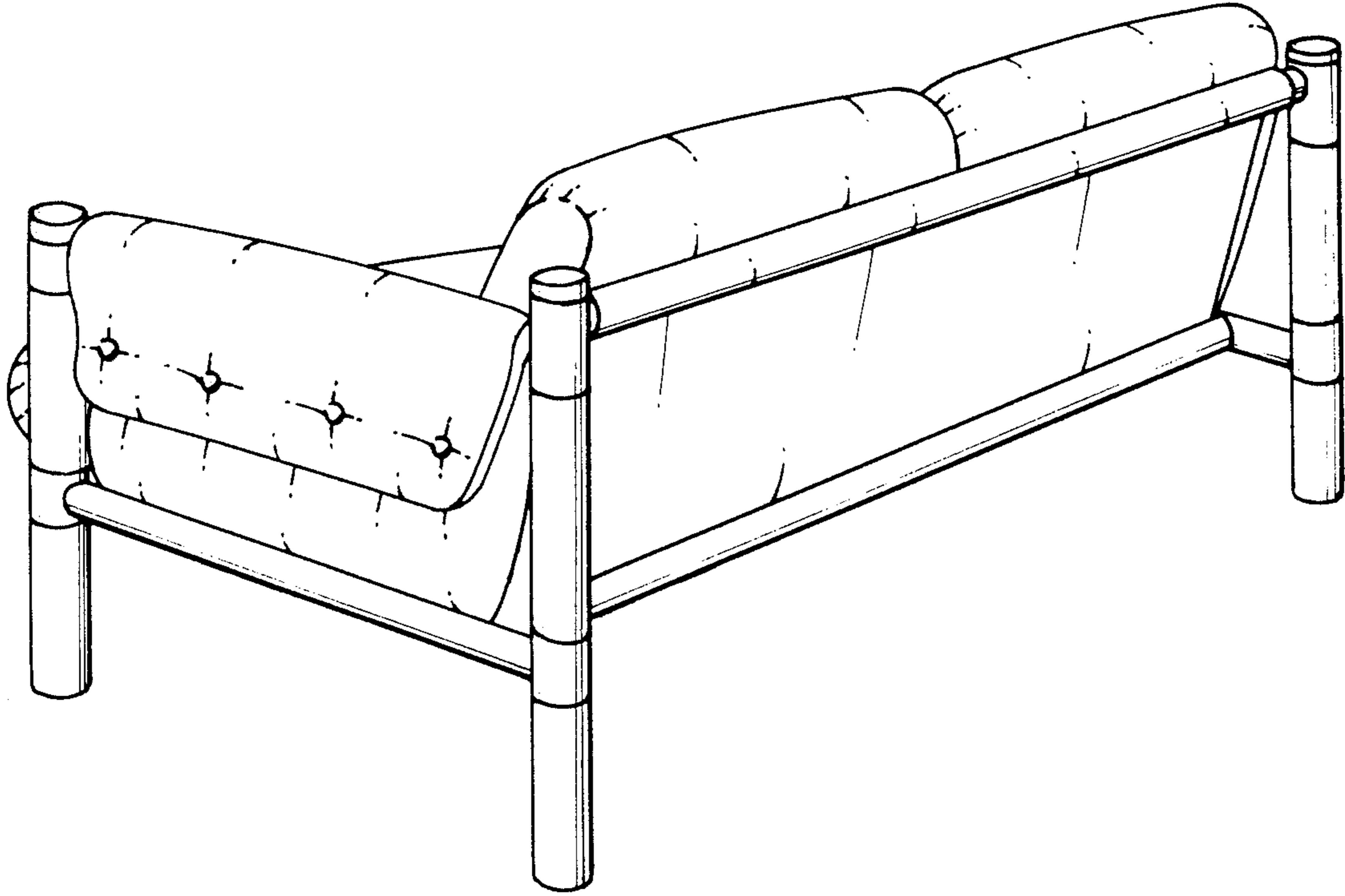


FIG. 2.

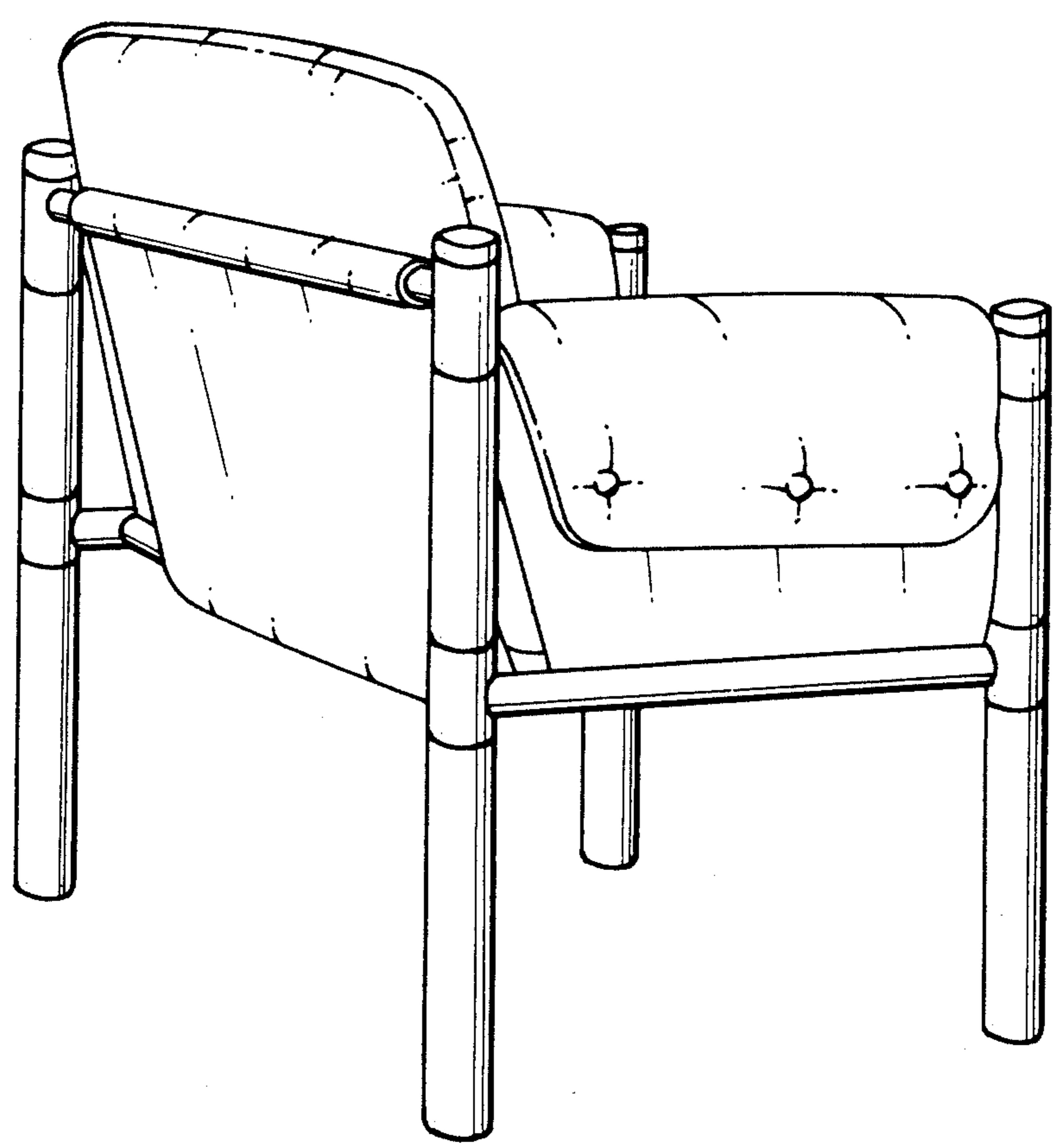


FIG. 3.

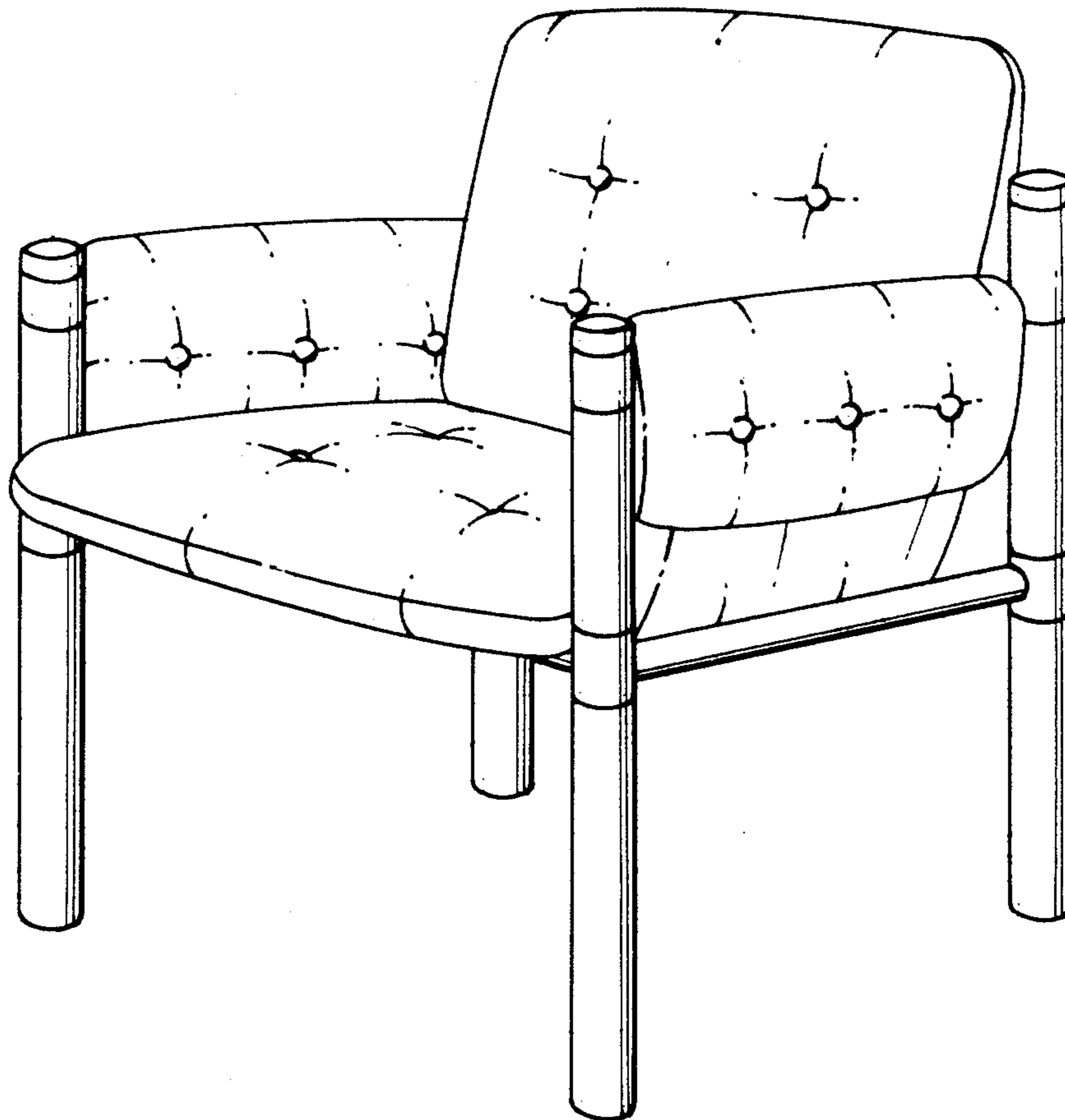


FIG. 4.