

[54] **SIDING BASE STARTER STRIP**

[76] Inventor: **Donald A. South**, 44538 State Rte. 14,
Columbiana, Ohio 44408

[**] Term: **14 Years**

[21] Appl. No.: **728,446**

[22] Filed: **Sep. 30, 1976**

[51] Int. Cl. **D25—01**

[52] U.S. Cl. **D25/74**

[58] Field of Search 52/471, 569, 513;
D25/56, 73, 74, 75, 76, 77, 78, 79

3,029,560 4/1962 Benson 52/471
3,060,641 10/1962 Lockwood 52/471

OTHER PUBLICATIONS

Sweet's Architectural Catalog File, 1976, section 7.6/A/c, p. 15, Item 1.2, Starter Strip.

Primary Examiner—A Hugo Word
Attorney, Agent, or Firm—Webster B. Harpman

[57] **CLAIM**

The ornamental design for a siding base starter strip, as shown.

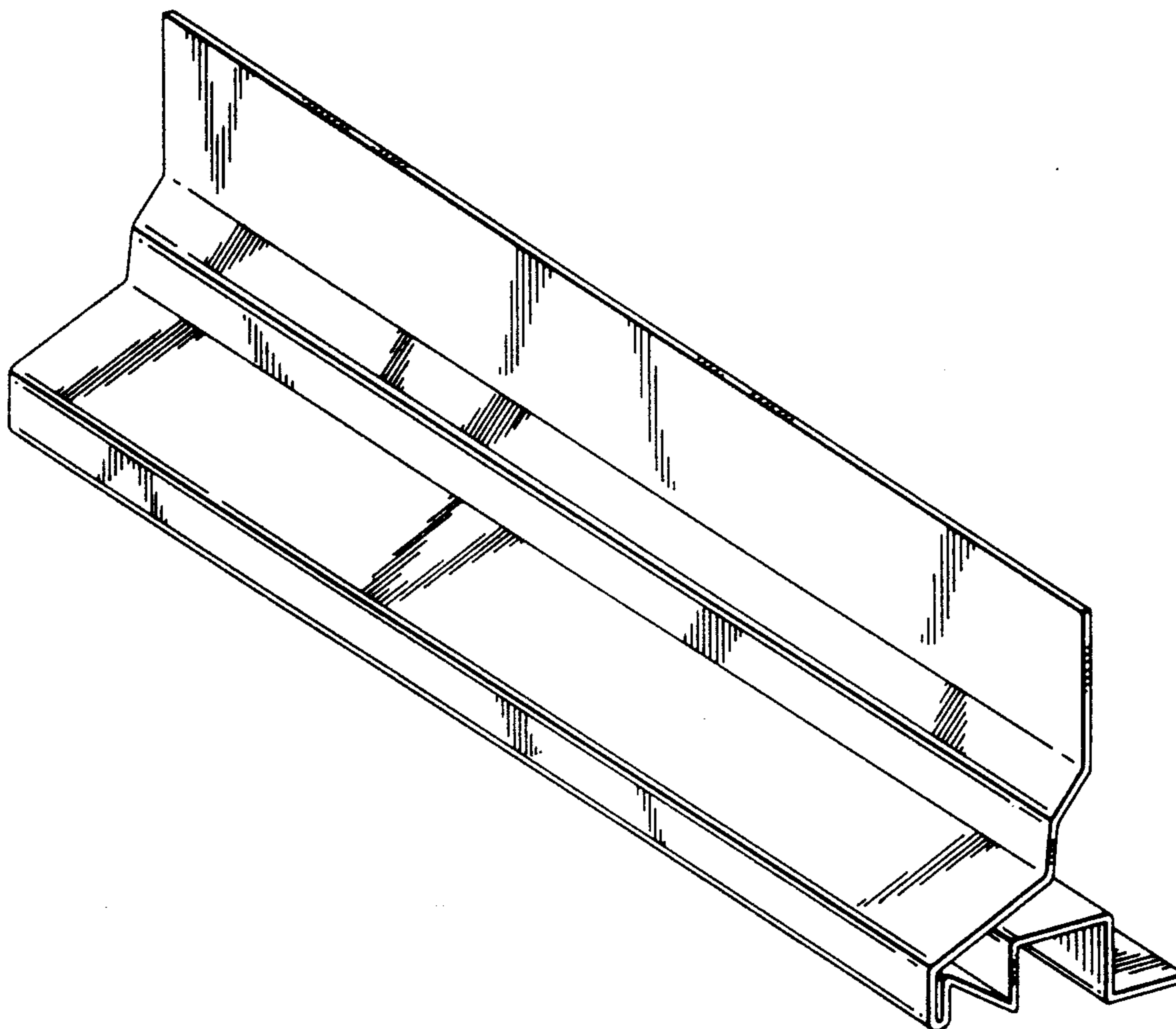
DESCRIPTION

FIG. 1 is a perspective elevation of a siding base starter strip showing my new design; FIG. 2 is an end elevation thereof; and FIG. 3 is a rear plan view thereof.

[56] **References Cited**

U.S. PATENT DOCUMENTS

D. 47,728 8/1915 Heulings, Jr. D25/74
D. 47,729 8/1915 Heulings, Jr. D25/74



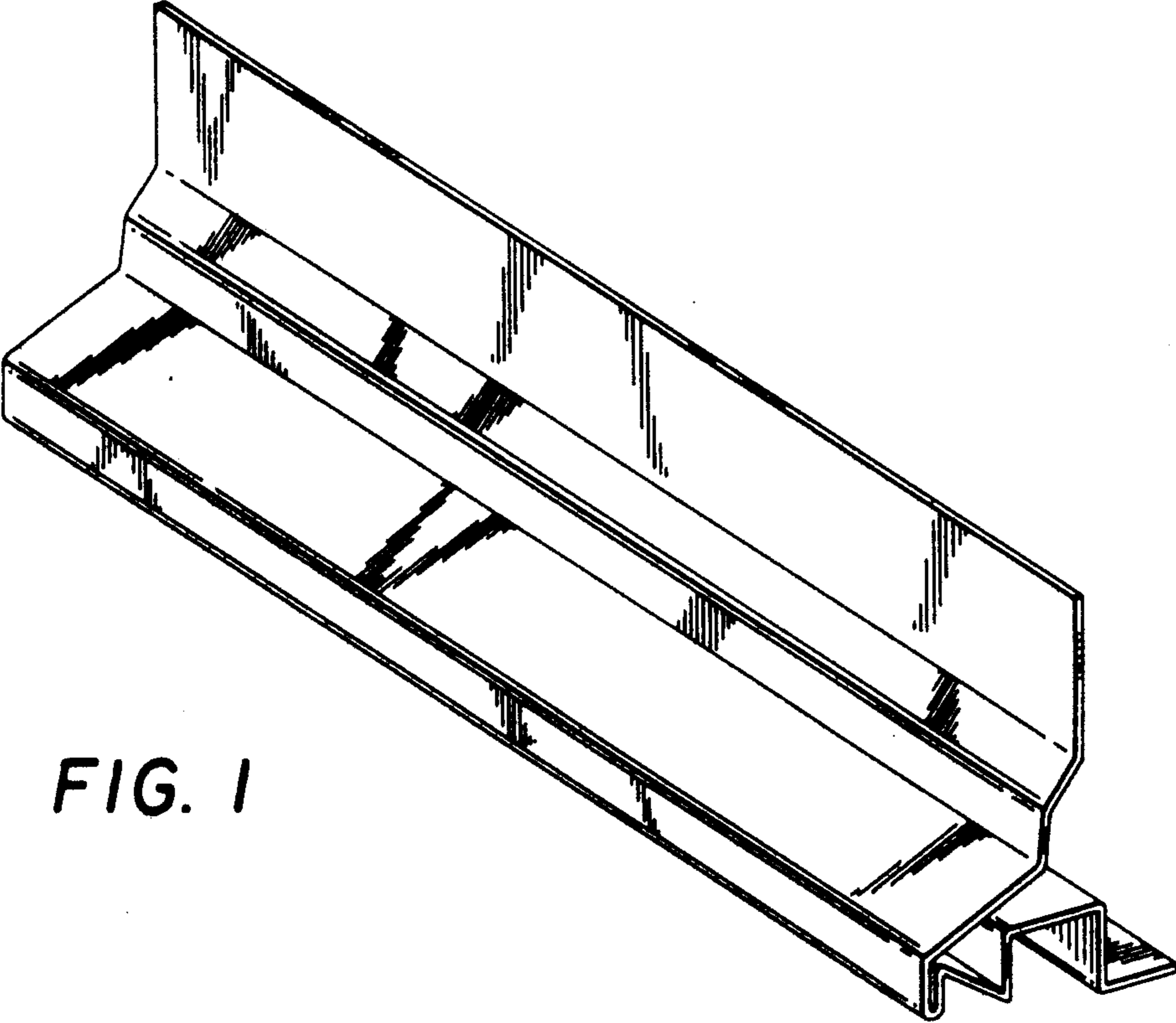


FIG. 1

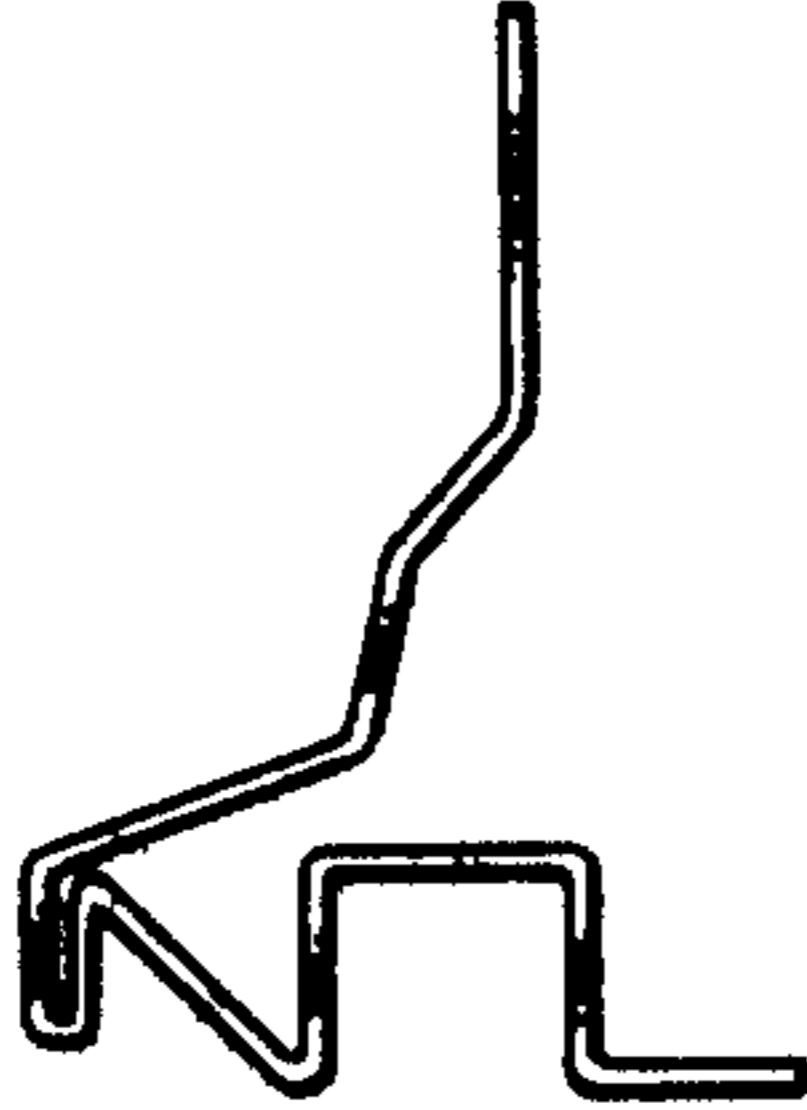


FIG. 2

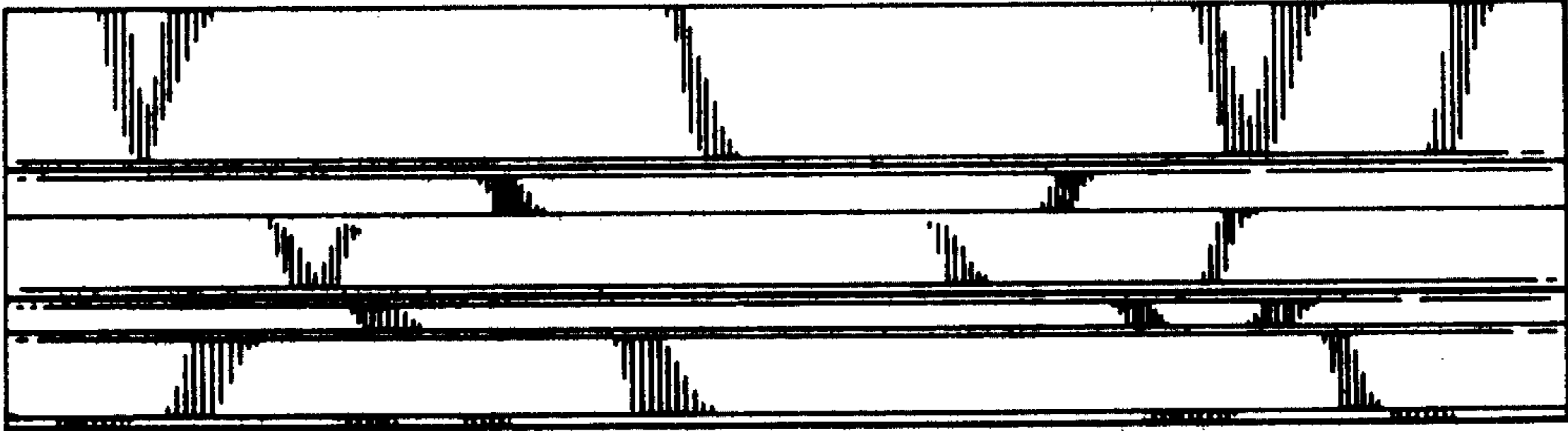


FIG. 3