

[54] **WINDOW FRAME**

[76] **Inventor:** **Alfred George Huelsekopf, R.R. #1,
Newmarket, Ontario, Canada**

[**] **Term:** **14 Years**

[21] **Appl. No.:** **738,082**

[22] **Filed:** **Nov. 2, 1976**

[51] **Int. Cl.** **D25—02**

[52] **U.S. Cl.** **D25/52; D25/48;
D25/74**

[58] **Field of Search** **D25/47, 48, 52, 53,
D25/60, 61, 74, 75; 52/473, 475, 476, 716, 212;
49/171, 505, 58, 62, 67, 75, 76, 70**

[56]

References Cited

U.S. PATENT DOCUMENTS

D. 201,672	7/1965	Damiani	D25/48
D. 201,873	8/1965	Damiani	D25/48
3,943,679	3/1976	Dissinger	52/473
3,968,738	7/1976	Matzke	52/473 X

Primary Examiner—A. Hugo Word
Attorney, Agent, or Firm—Gordon W. Hodson

[57]

CLAIM

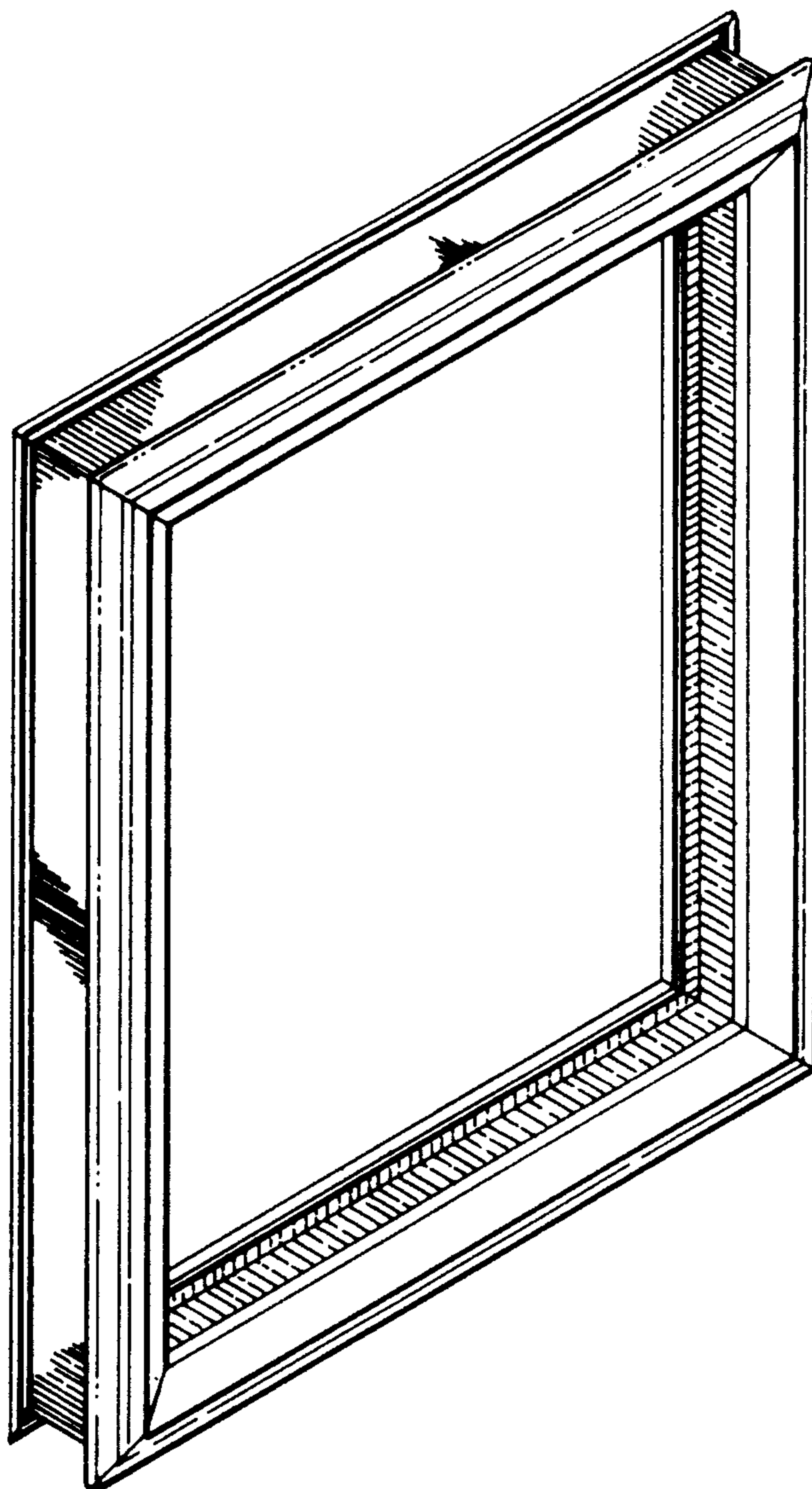
The ornamental design of a window frame, as shown and described.

DESCRIPTION

FIG. 1 is a perspective front view of a window frame showing my new design;

FIG. 2 is a perspective view of the outer face of the window frame;

FIG. 3 is a perspective view of the inner face of the window frame.



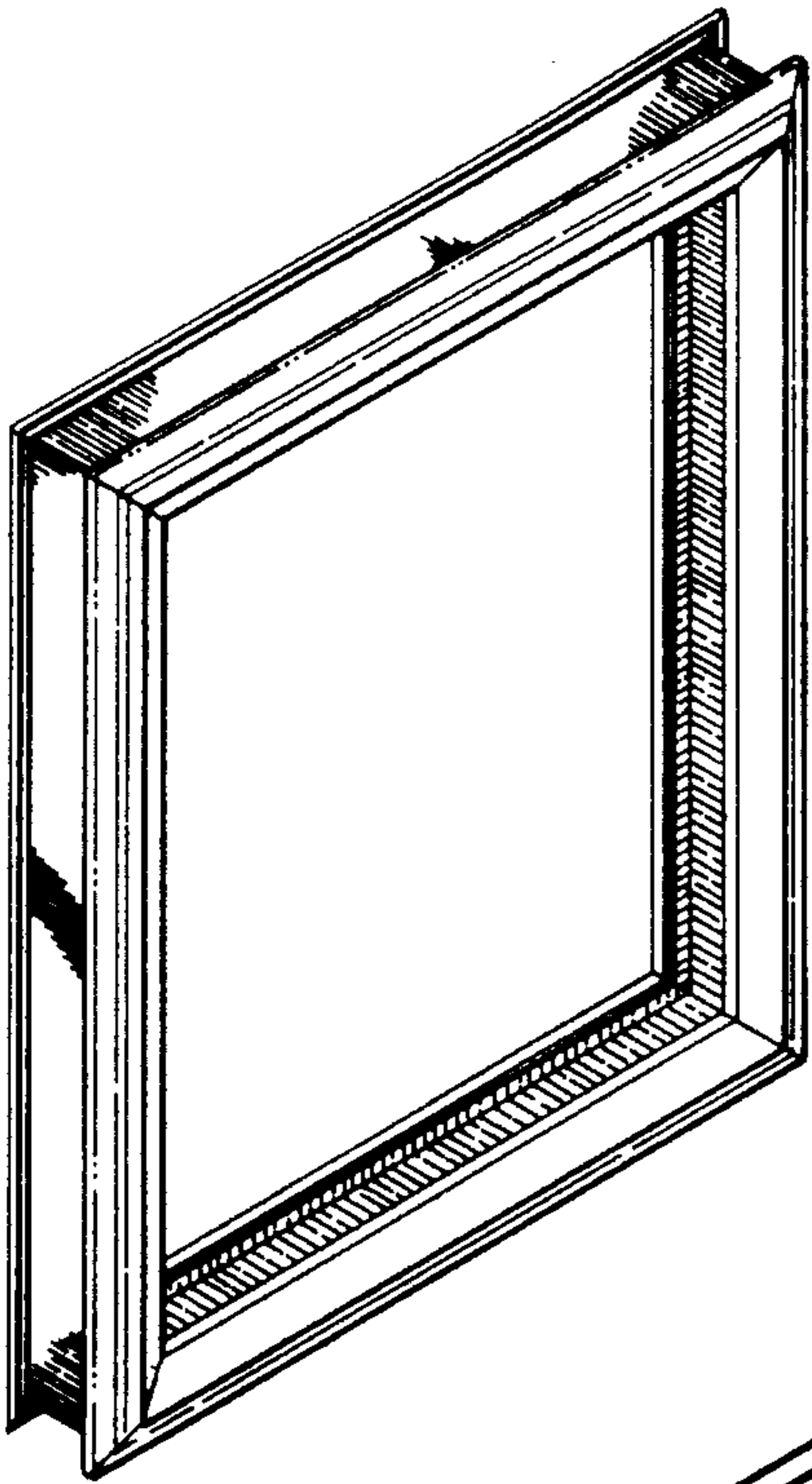


FIG. 1

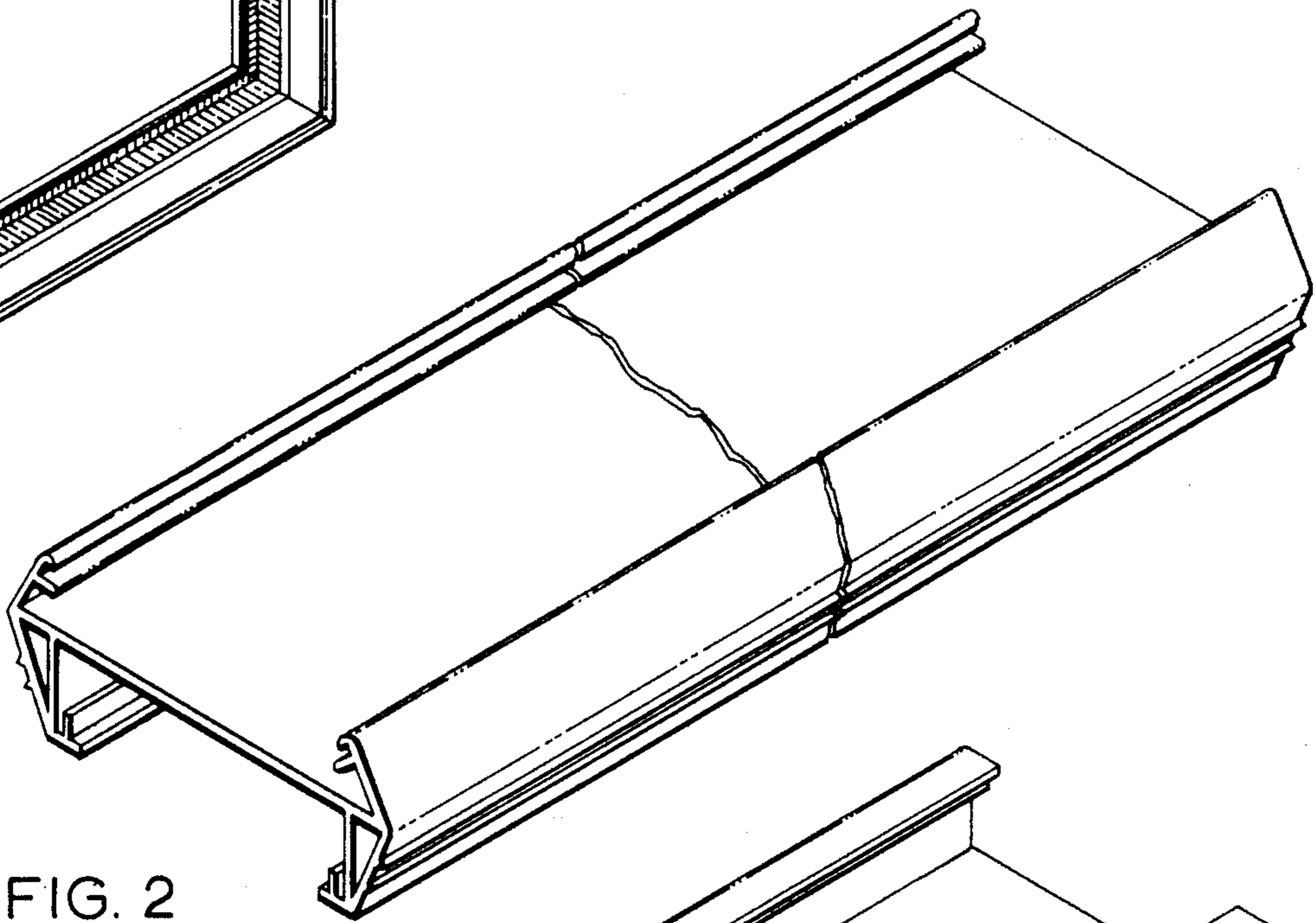


FIG. 2

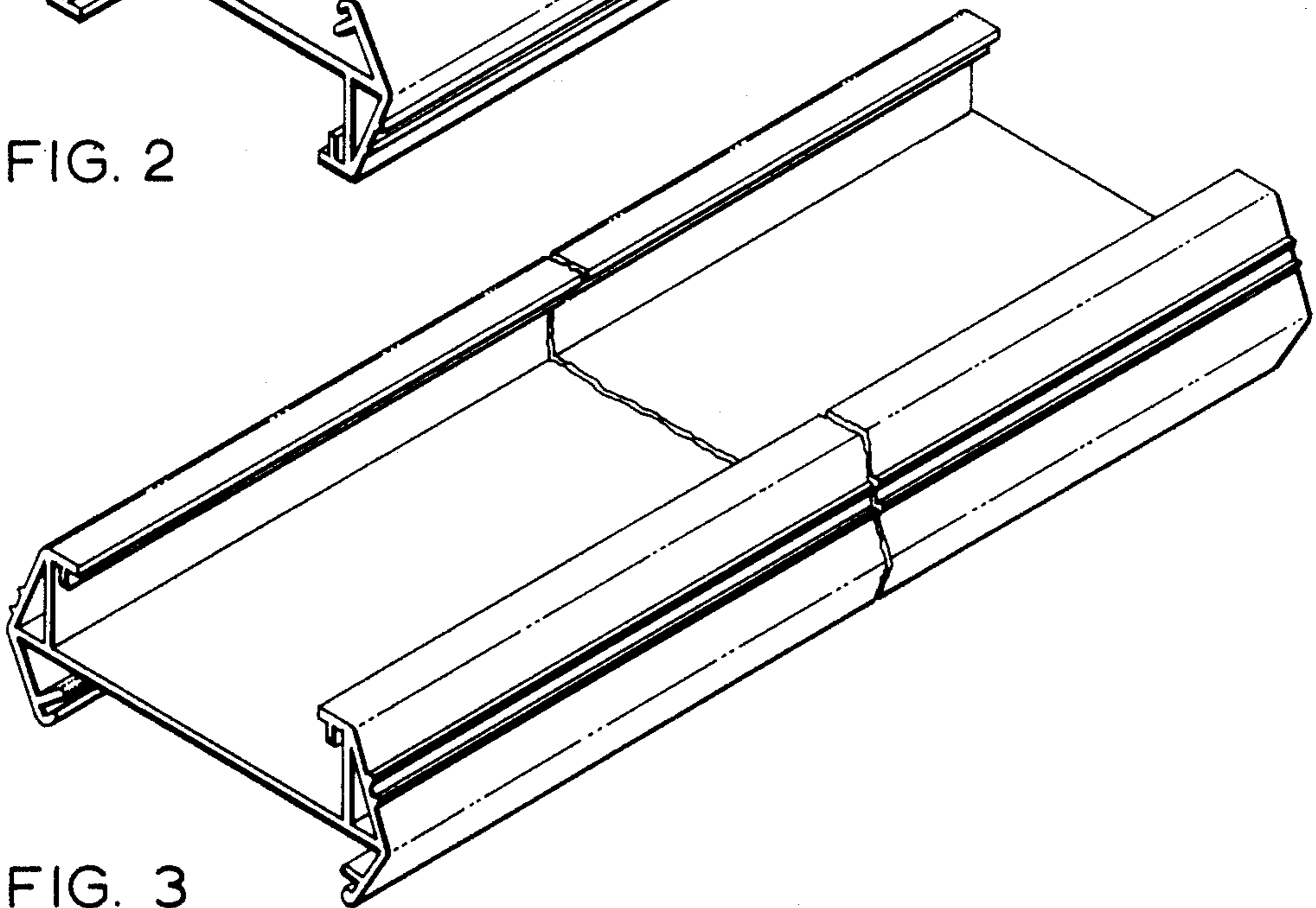


FIG. 3