

[54] CARGO SUPPORT FOR THE BED OF A TRUCK OR THE LIKE

[76] Inventor: Donald Keir Robertson, Corner Kew & Mars Sts., Welshpool, Western Australia, Australia

[**] Term: 14 Years

[21] Appl. No.: 720,343

[22] Filed: Sep. 3, 1976

[51] Int. Cl. D12-16

[52] U.S. Cl. D12/155

[58] Field of Search D12/155, 157; 280/179 B, 179 R, 179 A; 248/499, 503, 500; 105/464, 473, 497, 499, 502

[56] References Cited

U.S. PATENT DOCUMENTS

2,973,934 3/1961 Foster 280/179 B
3,836,174 9/1974 Holman, Jr. 280/179 R

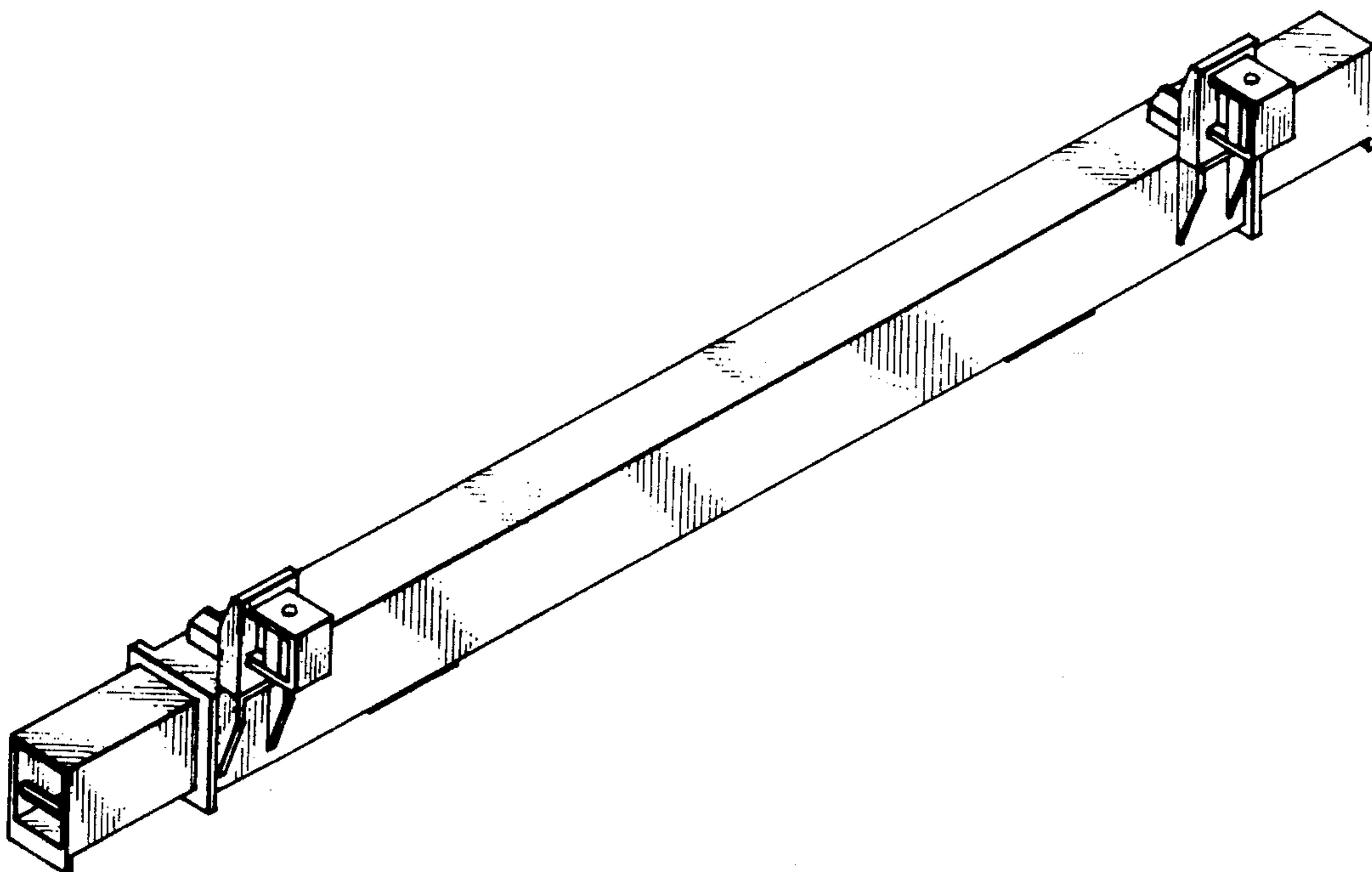
Primary Examiner—Wallace R. Burke
Assistant Examiner—James M. Gandy
Attorney, Agent, or Firm—Linton & Linton

[57] CLAIM

The ornamental design for a cargo support for the bed of a truck or the like, as shown.

DESCRIPTION

FIG. 1 is perspective view of a cargo support for the bed of a truck or the like showing my new design; FIG. 2 is a bottom perspective view thereof; FIG. 3 is an end elevational view thereof; and, FIG. 4 is a perspective view thereof taken from the opposite side and end to FIG. 1.



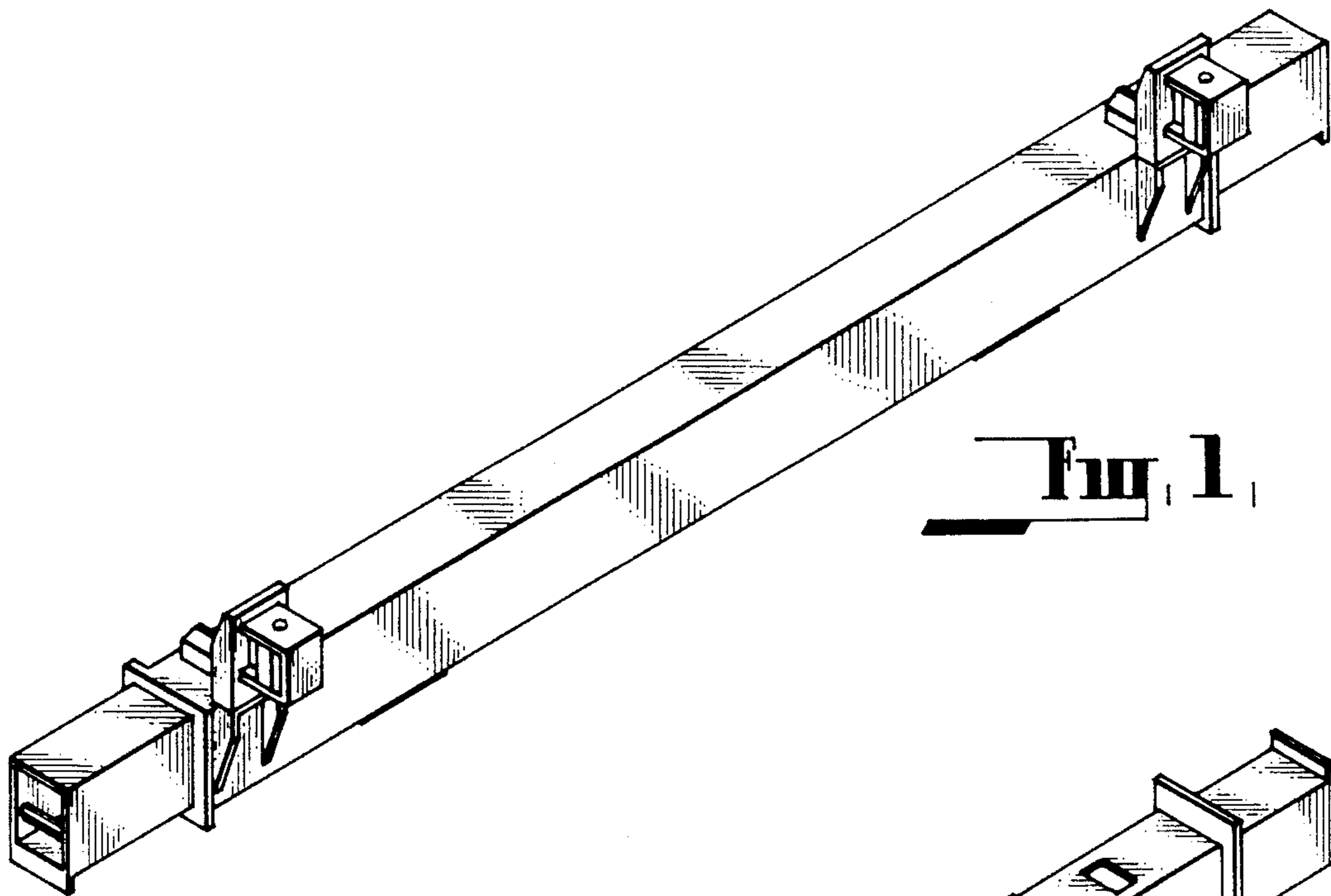


Fig. 1,

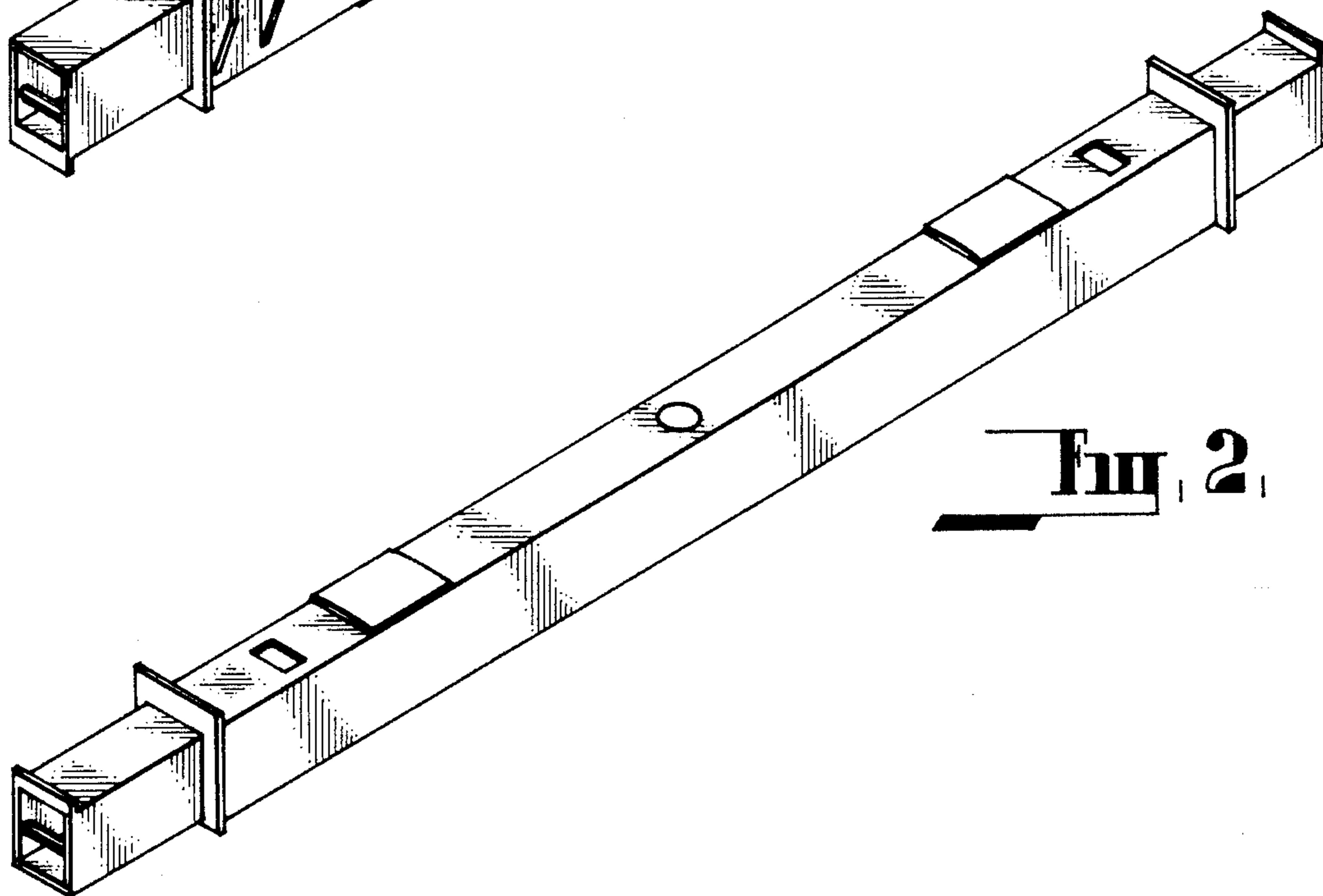


Fig. 2,

FIG. 3.

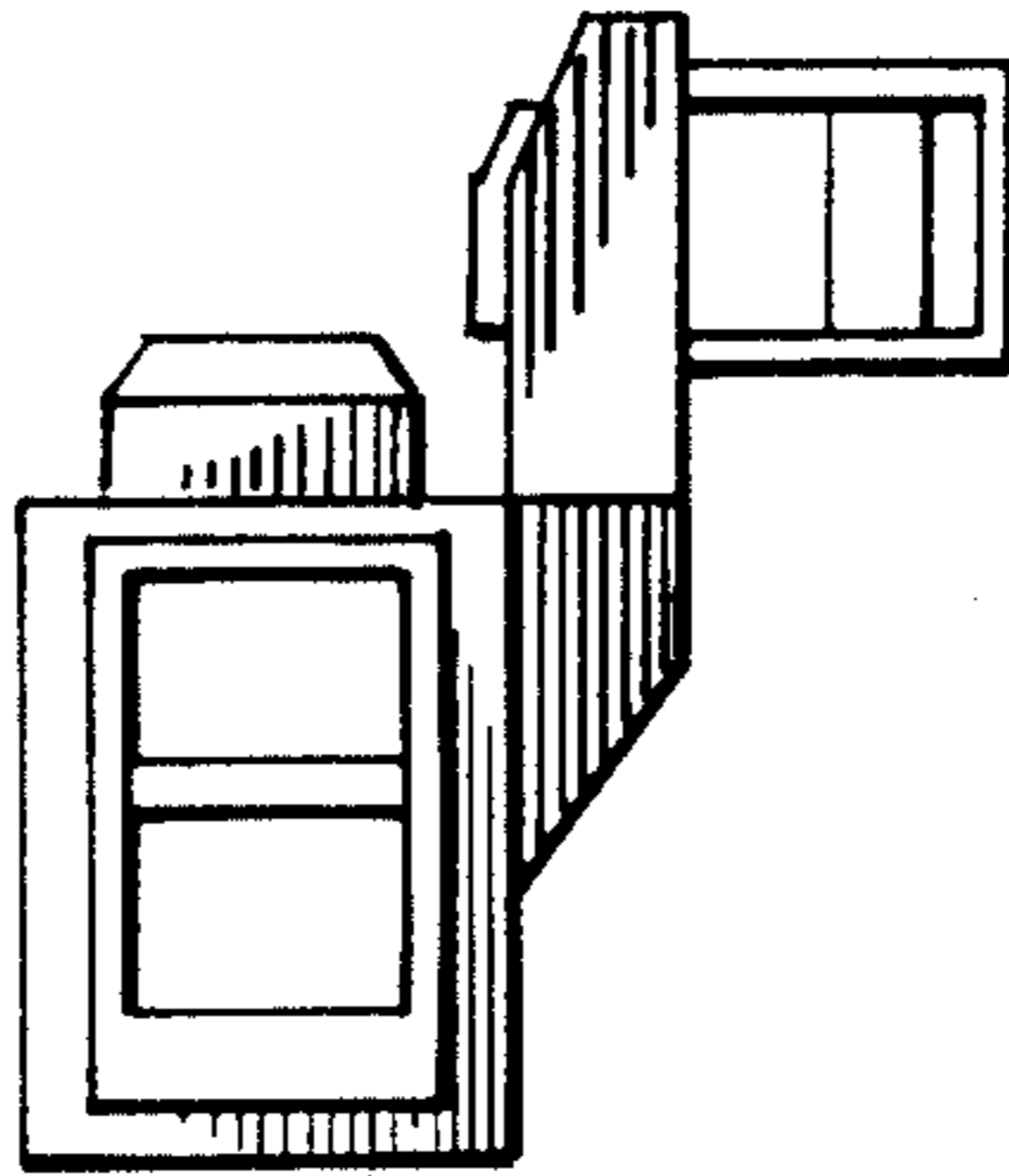


FIG. 4.

