

[54] EXTENSION CONVEYOR

[76] Inventor: Joseph M. Casteel, 255 Lython Rd., Coraopolis, Pa. 15108

[\*\*] Term: 14 Years

[21] Appl. No.: 696,683

[22] Filed: Jun. 16, 1976

[51] Int. Cl. .... D12-05

[52] U.S. Cl. .... D12/58

[58] Field of Search ..... D12/58, 53; 109/607, 109/601

[56] References Cited

U.S. PATENT DOCUMENTS

2,591,971 4/1952 Skillman ..... 198/601 X

OTHER PUBLICATIONS

Sage Conveyor Equipment Catalog, p. 29, Belt Conveyor on page.

Primary Examiner—Alan P. Douglas  
Attorney, Agent, or Firm—Robert D. Yeager

[57] CLAIM

The ornamental design for an extension conveyor, substantially as shown and described.

DESCRIPTION

FIG. 1 is an isometric view of an extension conveyor embodying my new design with the conveyor end being to the right and the tray end being to the left;

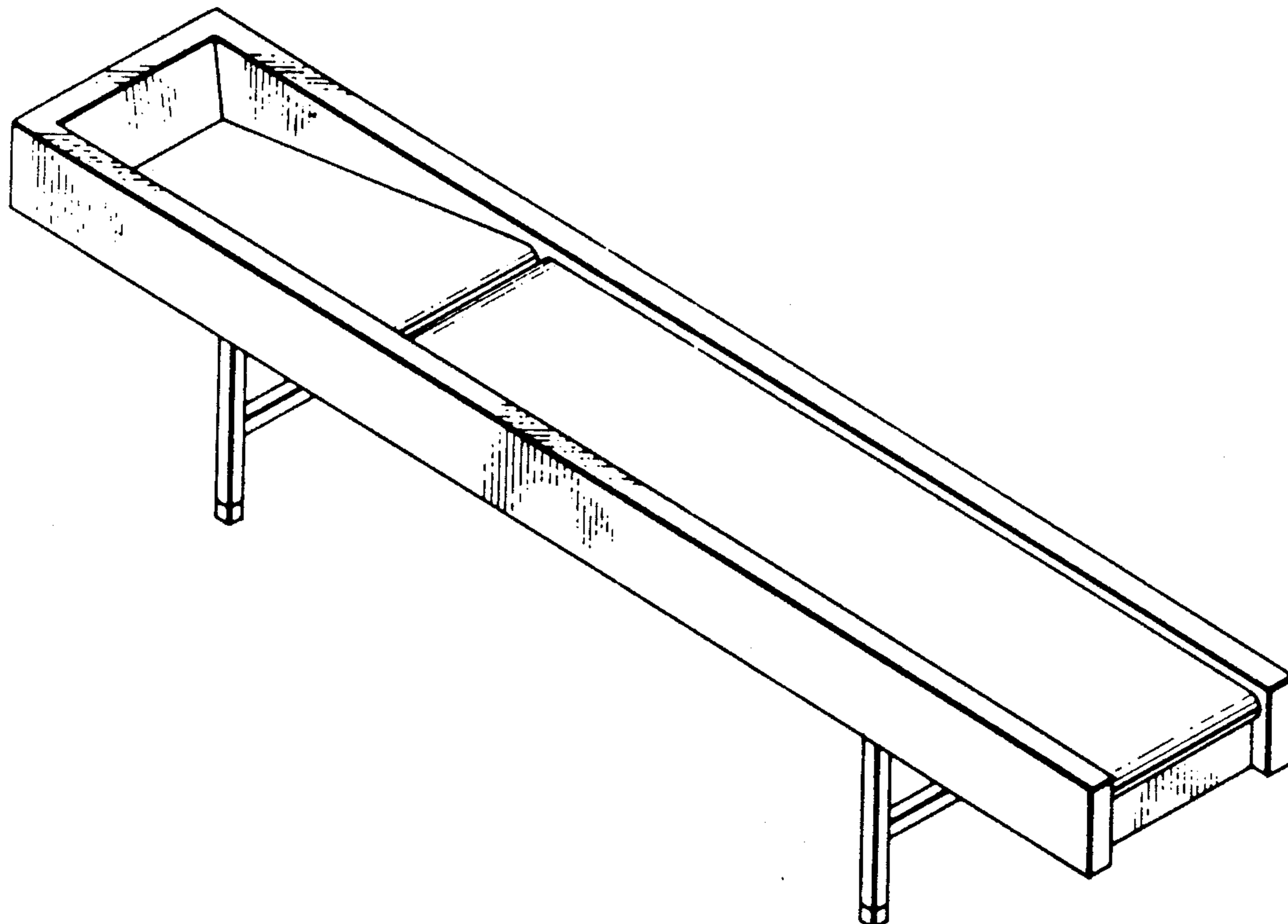
FIG. 2 is a top plan view of the extension conveyor shown in FIG. 1;

FIG. 3 is an end view, from the conveyor end, of the extension conveyor shown in FIG. 1;

FIG. 4 is an end view, from the tray end, of the extension conveyor shown in FIG. 1;

FIG. 5 is a side view, of the control side, of the extension conveyor shown in FIG. 1; and,

FIG. 6 is a side view, of the plain side, of the extension conveyor shown in FIG. 1.



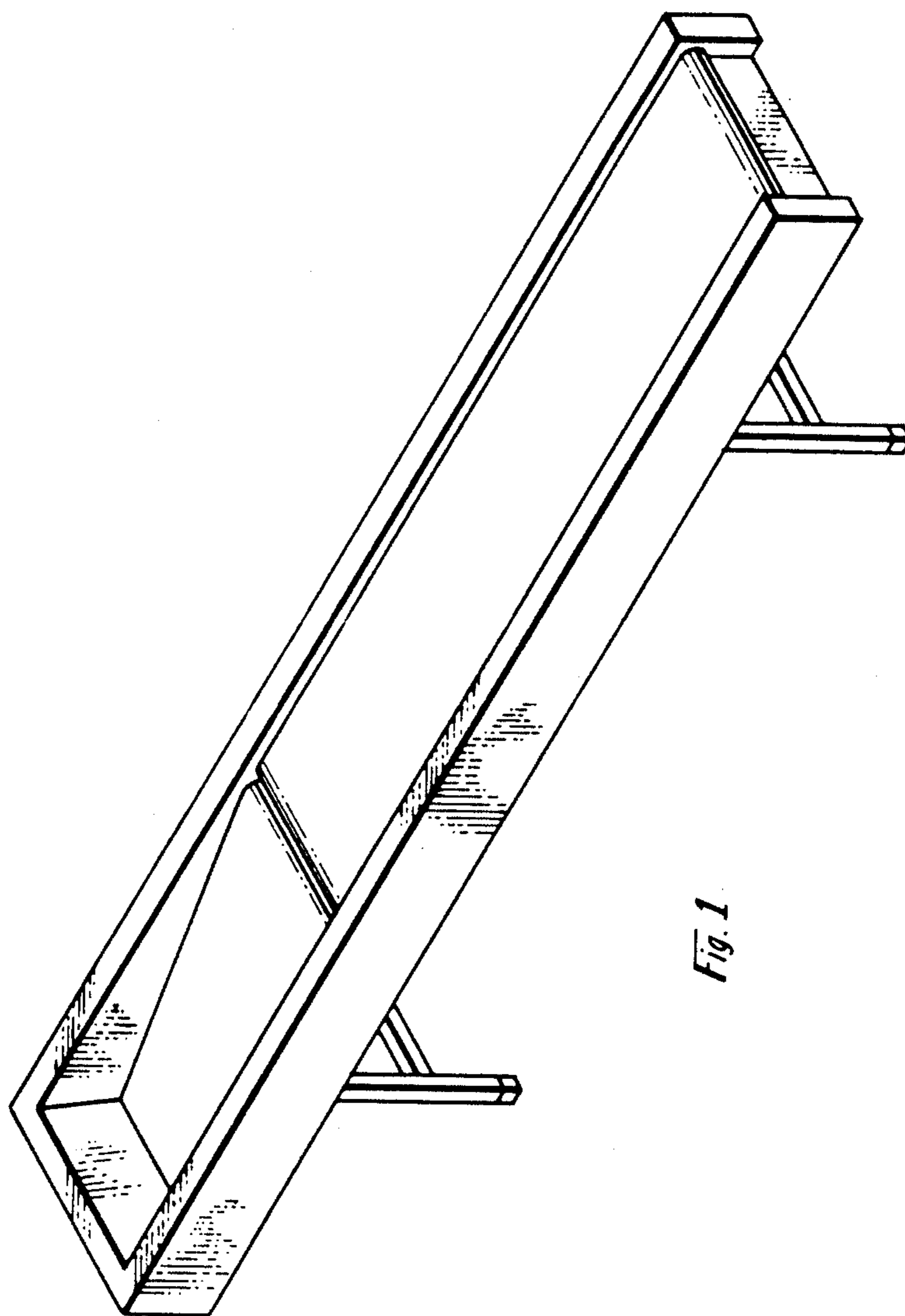
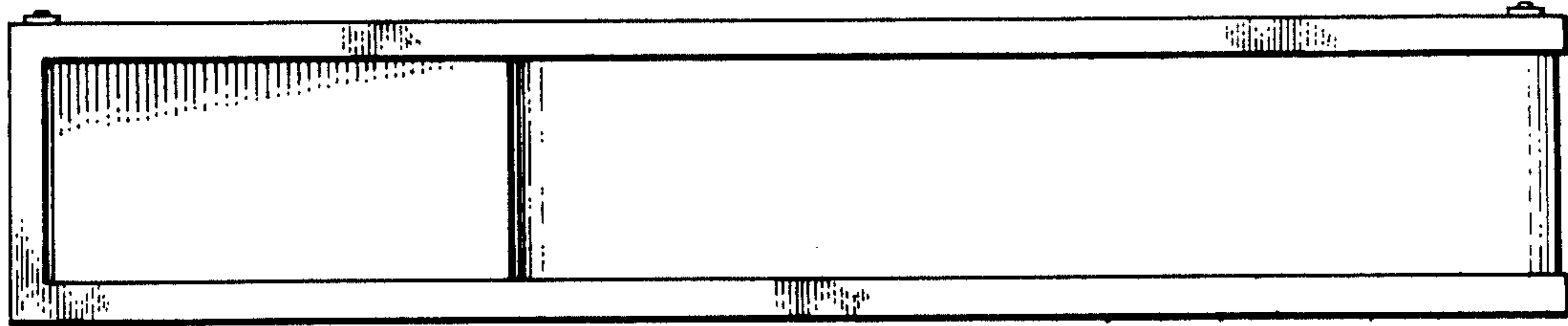
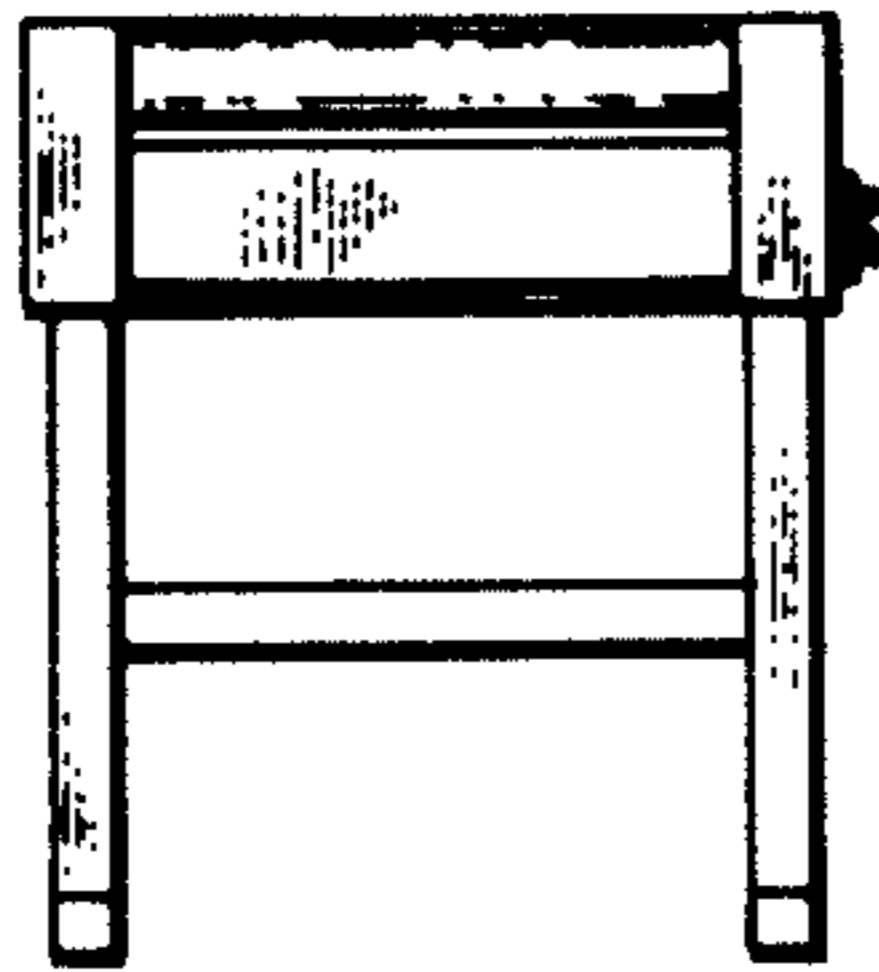


Fig. 1

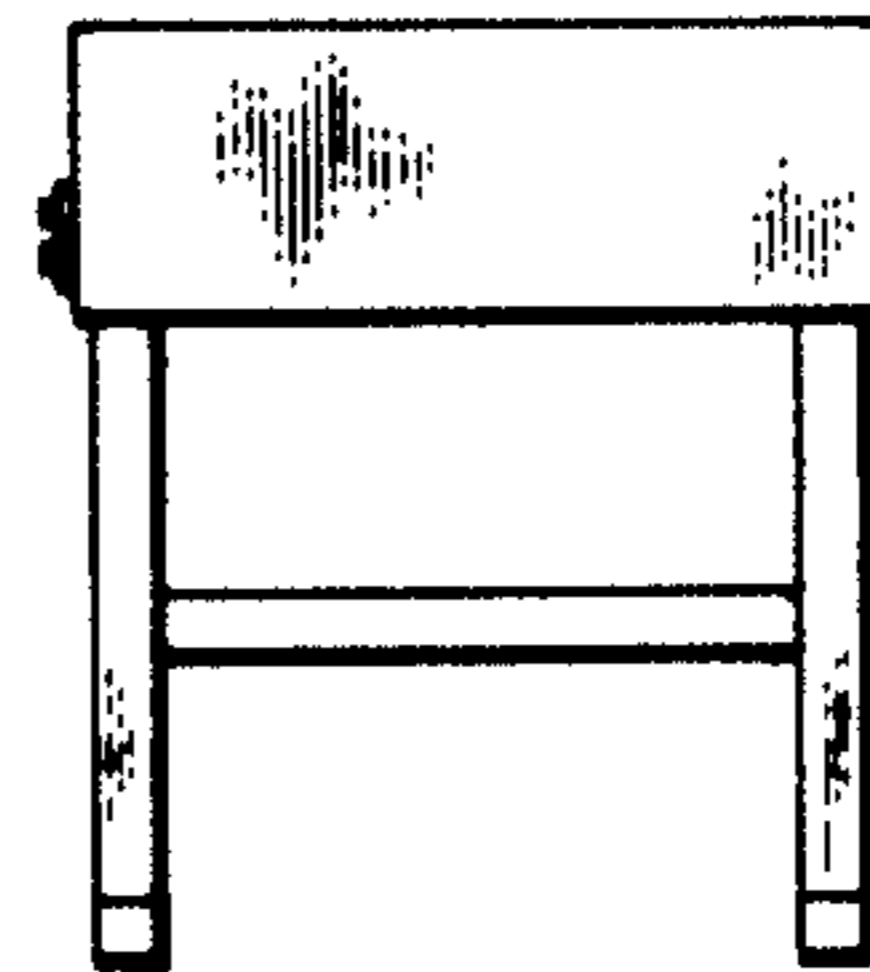
*Fig. 2*



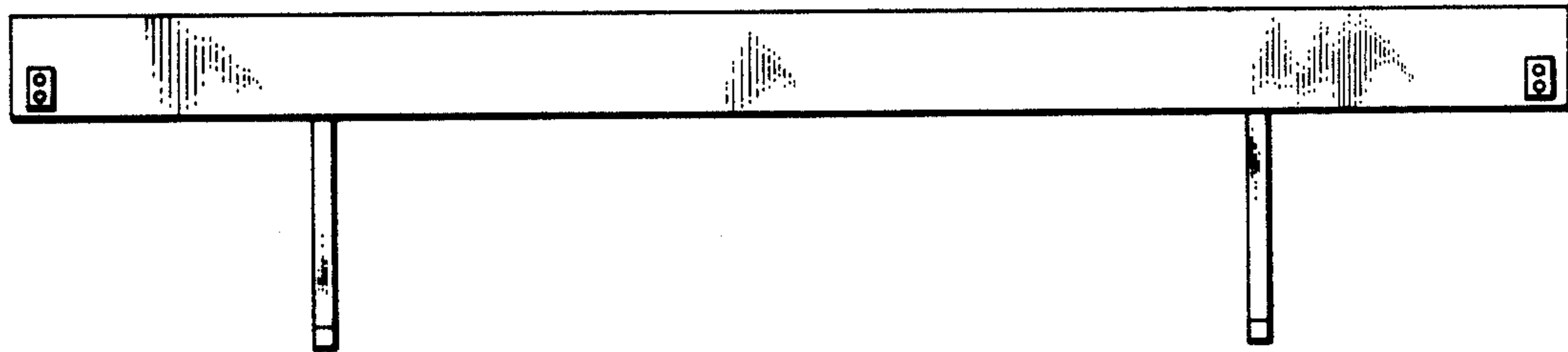
*Fig. 3*



*Fig. 4*



*Fig. 5*



*Fig. 6*

