

[54] CONTAINER CLOSURE

[75] Inventors: David O. Allen; Harry A. E. Wombold, both of Wilmington, Ohio

[73] Assignee: Buckeye Molding Company

[\*\*] Term: 14 Years

[21] Appl. No.: 667,389

[22] Filed: Mar. 16, 1976

[51] Int. Cl. .... D9-07

[52] U.S. Cl. .... D9/255

[58] Field of Search ..... D9/254, 255, 287, 280, D9/255; 215/256

3,142,402 7/1964 Fox ..... 215/256

3,515,306 6/1970 Roper et al. .... D9/267 X

3,913,772 10/1975 Ochs ..... 215/256

Primary Examiner—Robert C. Spangler  
 Attorney, Agent, or Firm—Roger S. Dybvig

[57] CLAIM

The ornamental design for a container closure, substantially as shown.

DESCRIPTION

FIG. 1 is a top perspective view of a container closure showing our new design;

FIG. 2 is a bottom perspective view;

FIG. 3 is a top plan view;

FIG. 4 is a bottom plan view;

FIG. 5 is a side elevational view;

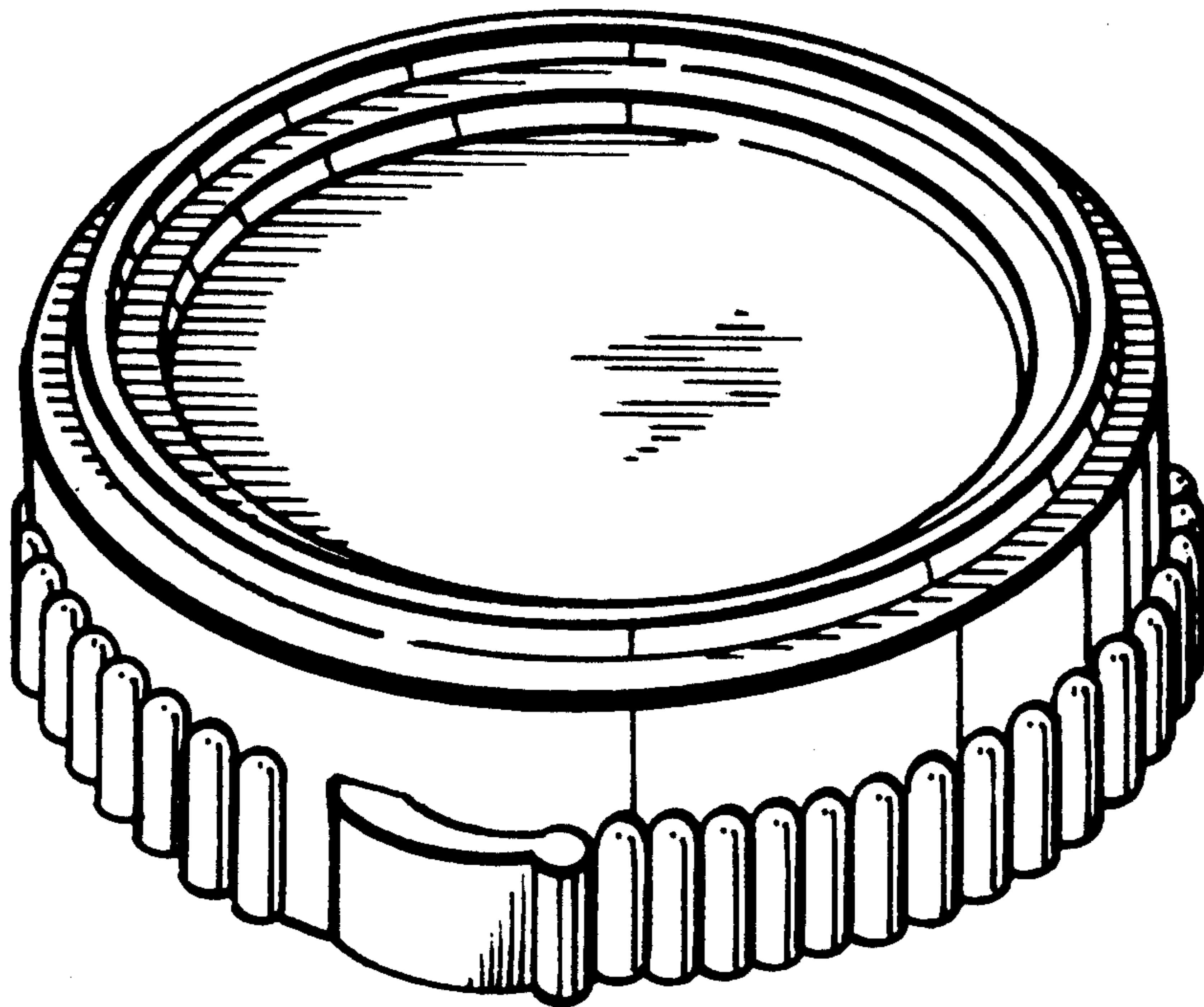
FIG. 6 is a side elevational view showing the side opposite that seen in FIG. 5; and

FIG. 7 is a side elevational view looking from the left of FIG. 5.

[56] References Cited

U.S. PATENT DOCUMENTS

D. 121,952	8/1940	Elser	.....	D9/255
D. 223,812	6/1972	Long	.....	D9/287
1,881,529	10/1932	Hammer	.....	215/256



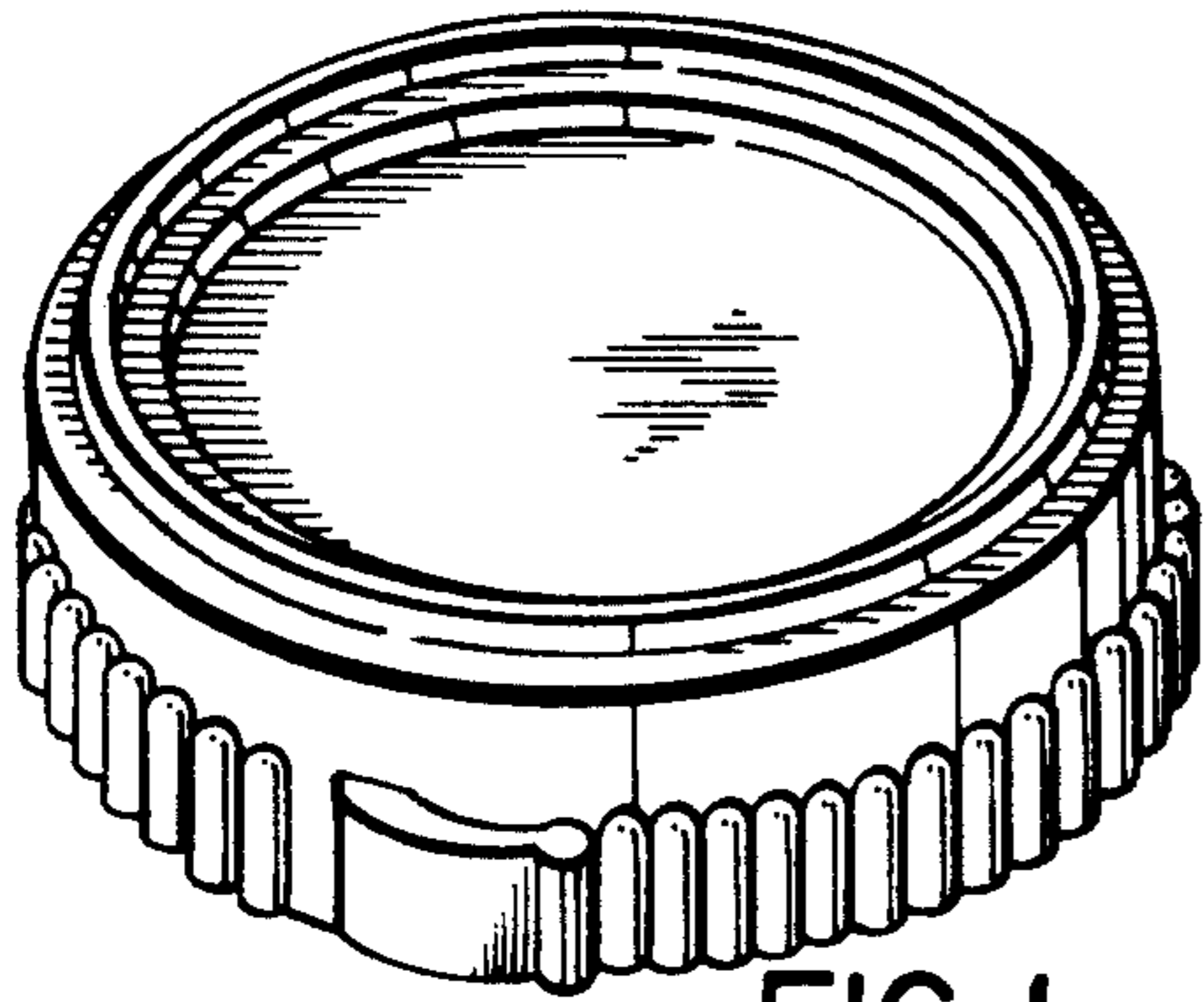


FIG-1

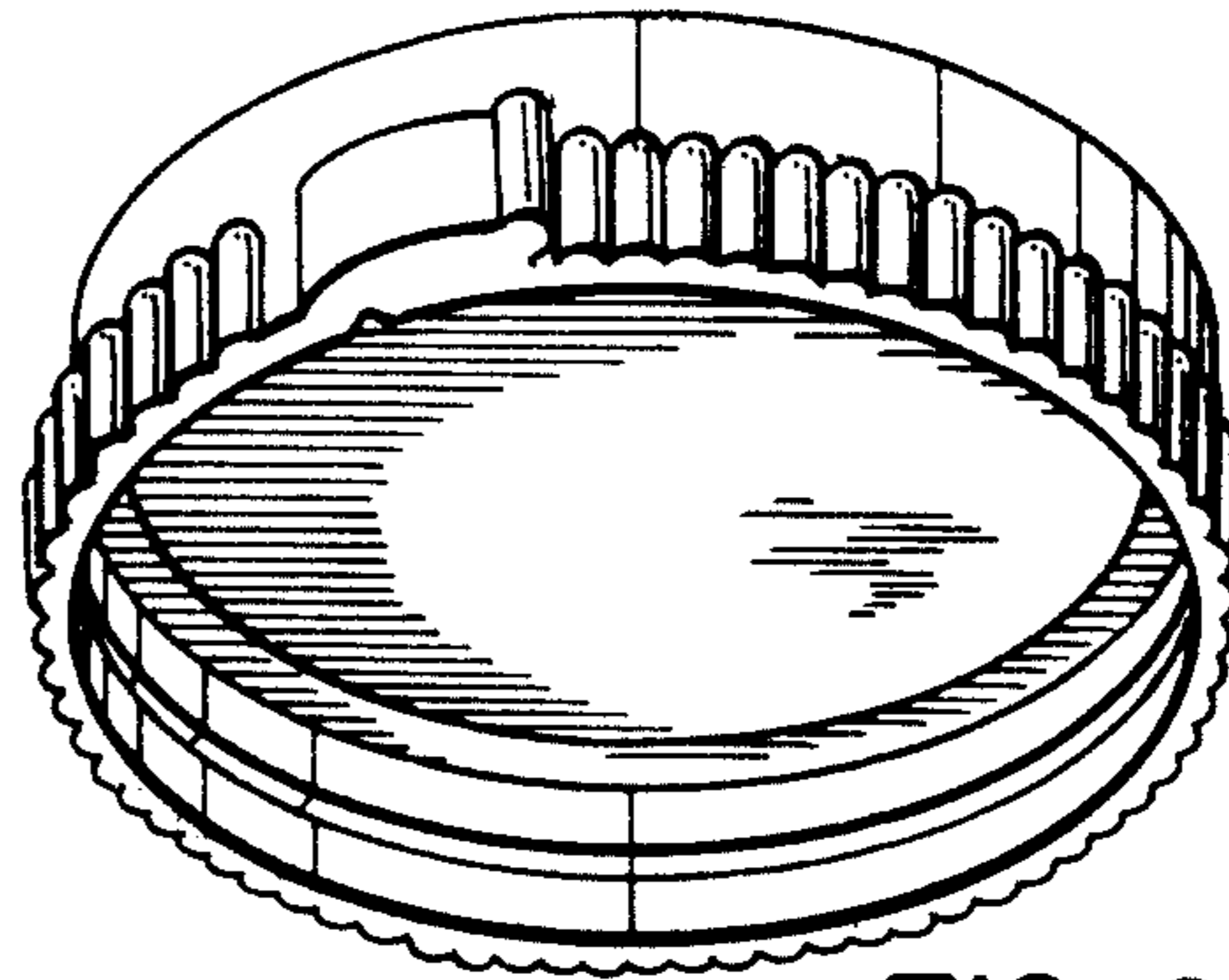


FIG-2

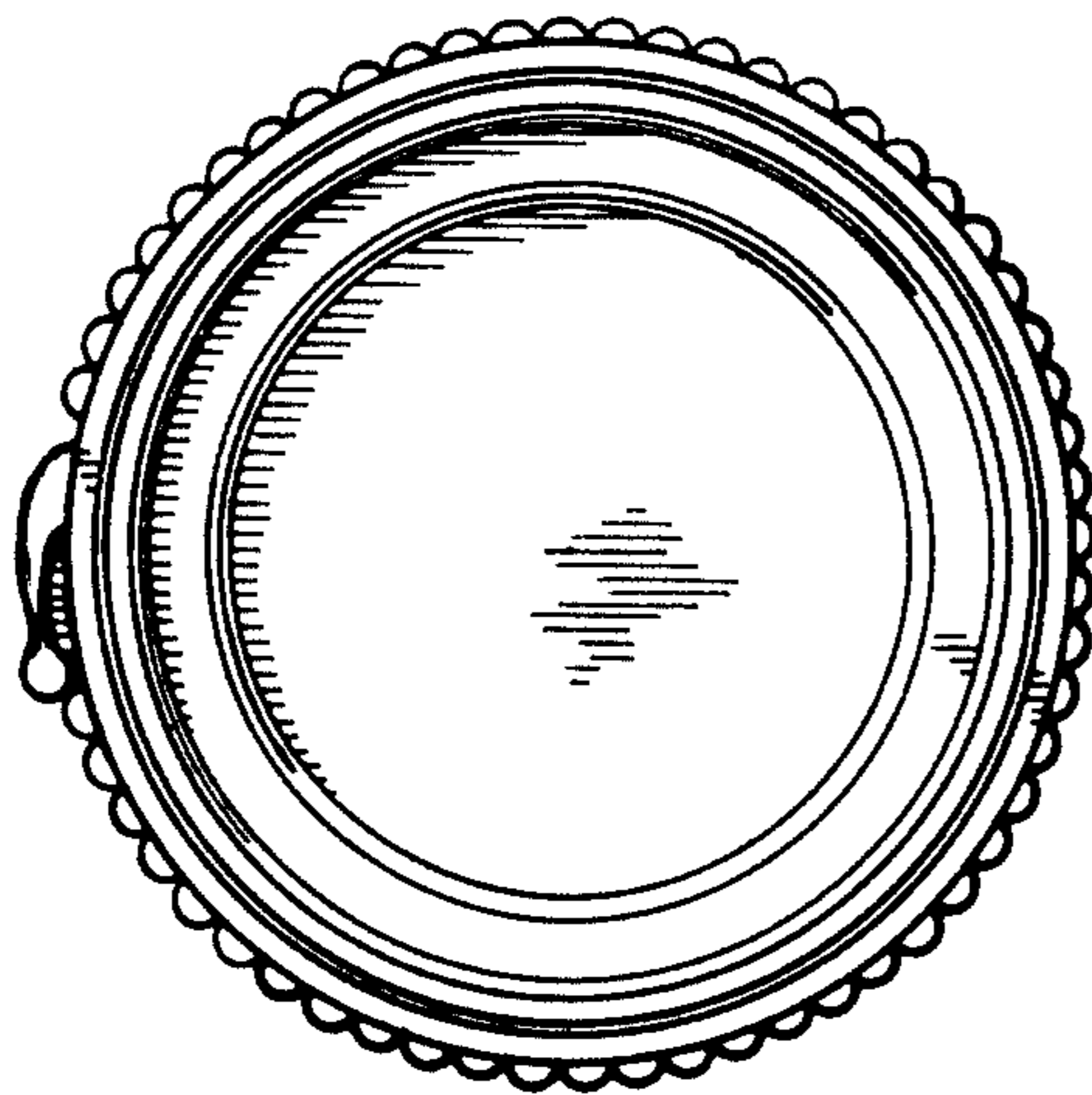


FIG-3

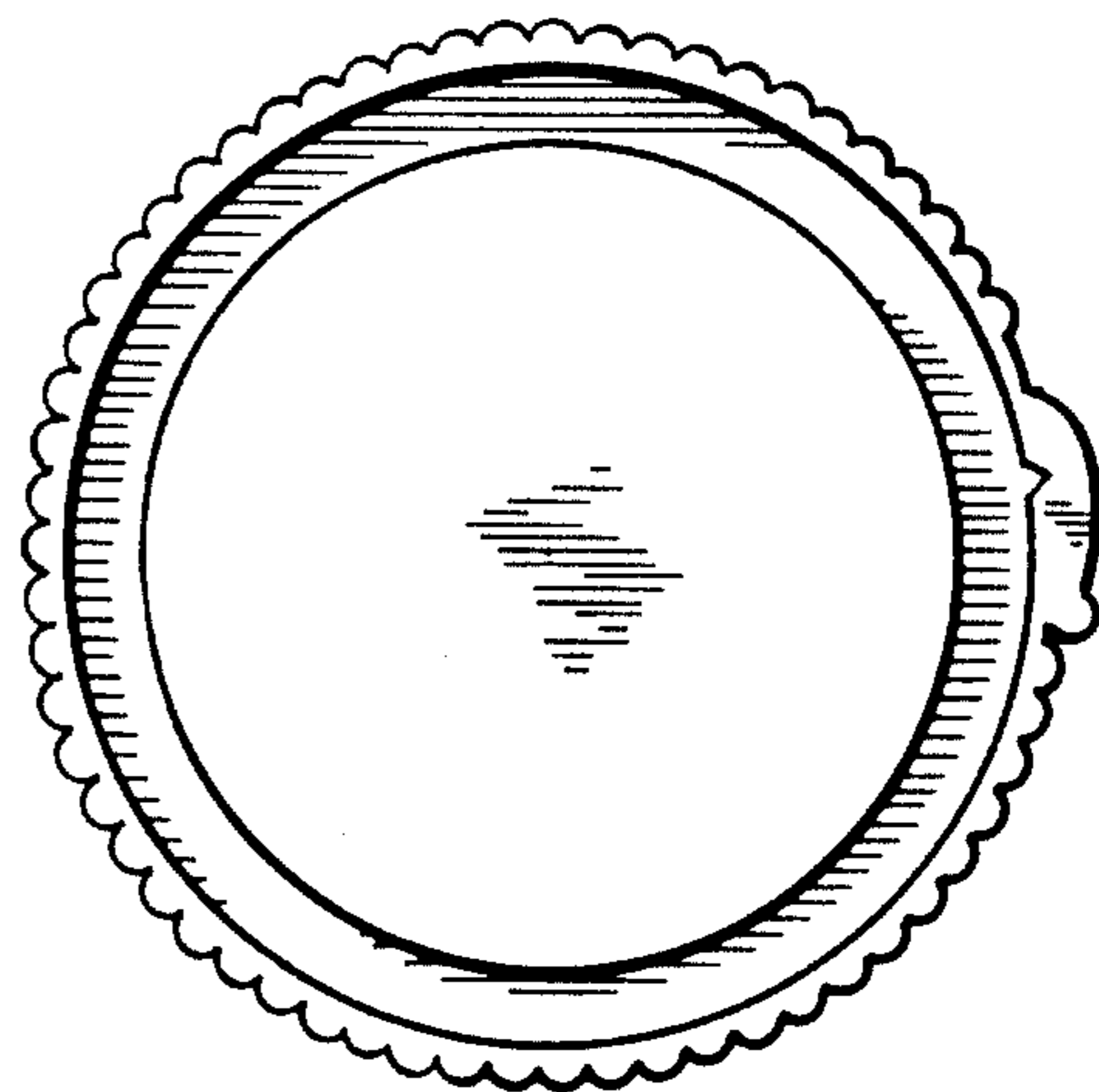


FIG-4

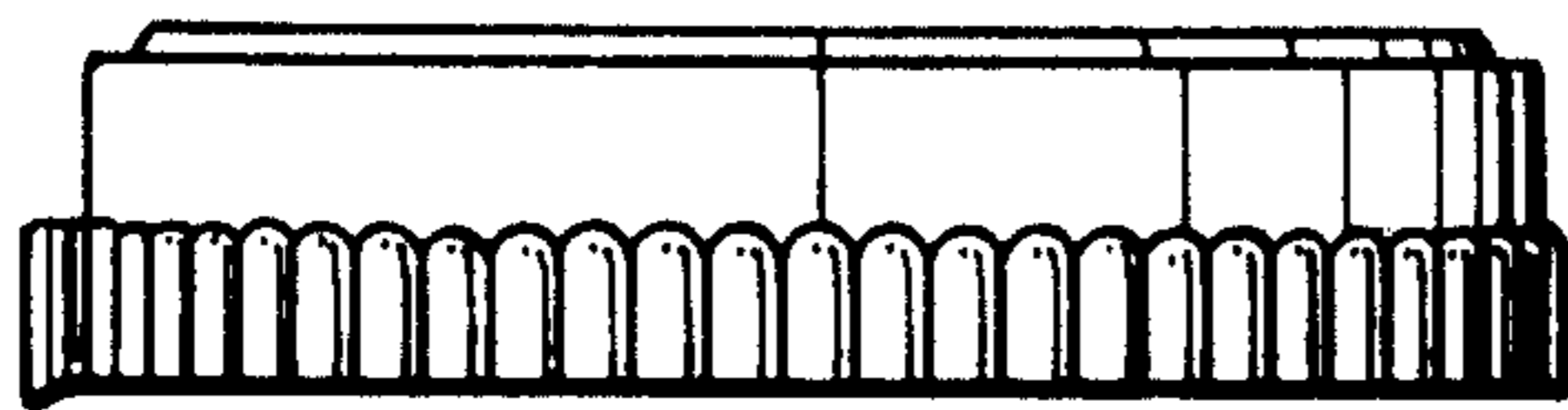


FIG-5

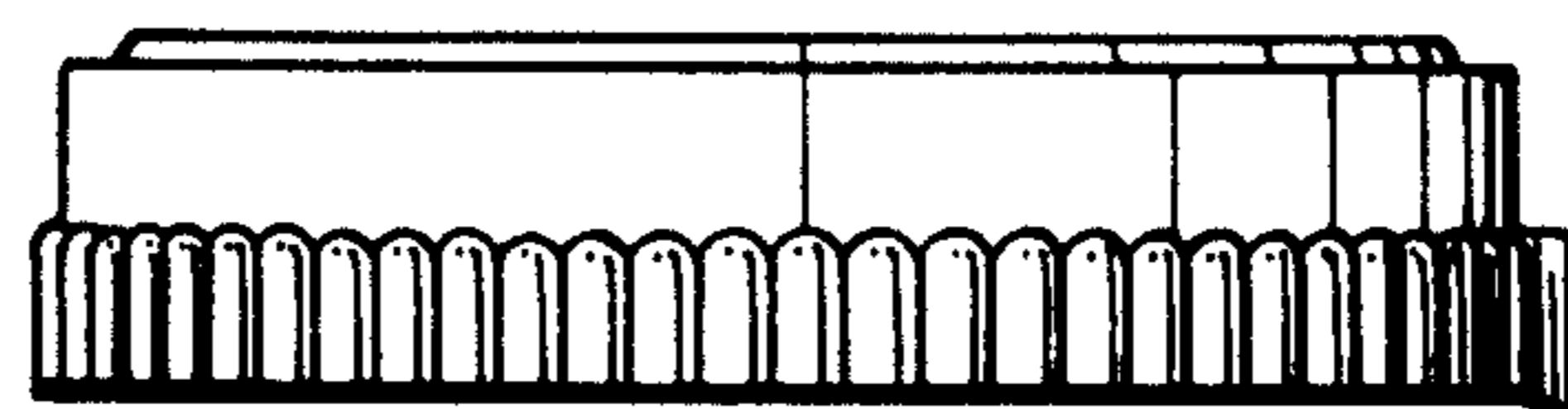


FIG-6

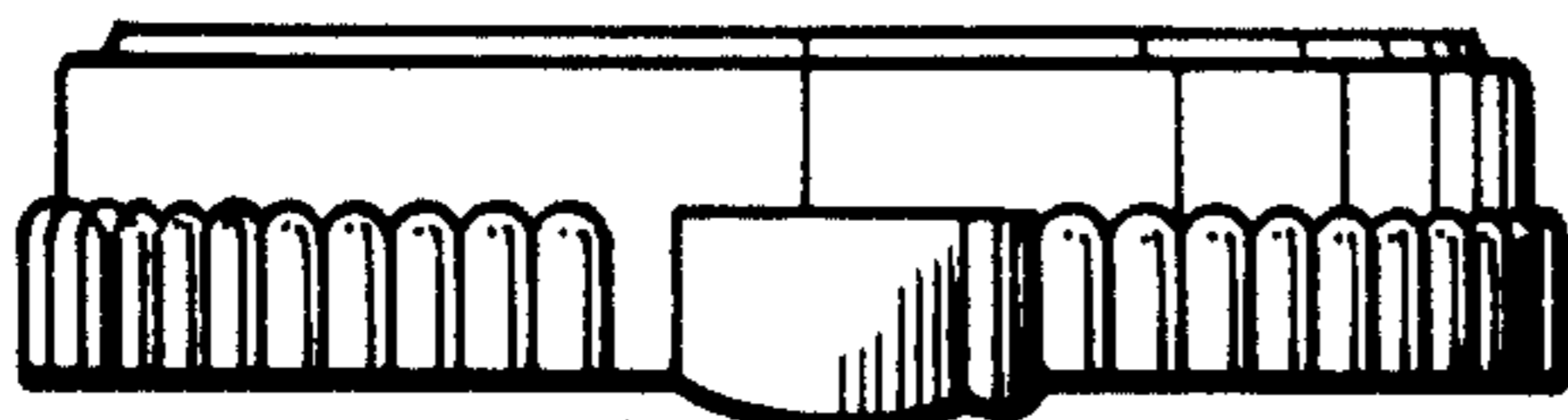


FIG-7