

[54] **COMBINED PACKAGING CONTAINER AND CLOSURE**

[75] Inventors: **David O. Allen; Harry A. E. Wombold**, both of Wilmington, Ohio

[73] Assignee: **Buckeye Molding Company**

[**] Term: **14 Years**

[21] Appl. No.: **670,234**

[22] Filed: **Mar. 25, 1976**

[51] Int. Cl. **D9—03**

[52] U.S. Cl. **D9/220; D9/255; D9/280**

[58] Field of Search **D7/16, 17, 76, 40, 131; D9/220, 267, 216, 255, 280; 220/266, 276, 306; 215/32, 224, 256, 316, 320**

[56] **References Cited**

U.S. PATENT DOCUMENTS

D. 183,276 7/1958 Colarusso D9/220
 D. 212,843 12/1968 Hart et al. D9/267

D. 239,818 5/1976 Vatne D9/267 X
 3,515,306 6/1970 Roper et al. D9/267 X
 3,860,137 1/1975 Wilson 215/256 X
 3,913,772 10/1975 Ochs 215/256
 4,024,976 5/1977 Acton 215/316 X

Primary Examiner—Robert C. Spangler
Attorney, Agent, or Firm—Roger S. Dybvig

[57] **CLAIM**

The ornamental design for a combined packaging container and closure, substantially as shown.

DESCRIPTION

FIG. 1 is a perspective view of a combined packaging container and closure showing our new design;
 FIG. 2 is a top plan view;
 FIG. 3 is a side elevational view as viewed from the right side of FIG. 2;
 FIG. 4 is a side elevational view as viewed from the left side of FIG. 2;
 FIG. 5 is a side elevational view as viewed from the left side of FIG. 3; and
 FIG. 6 is a bottom plan view as viewed from underneath FIG. 5.

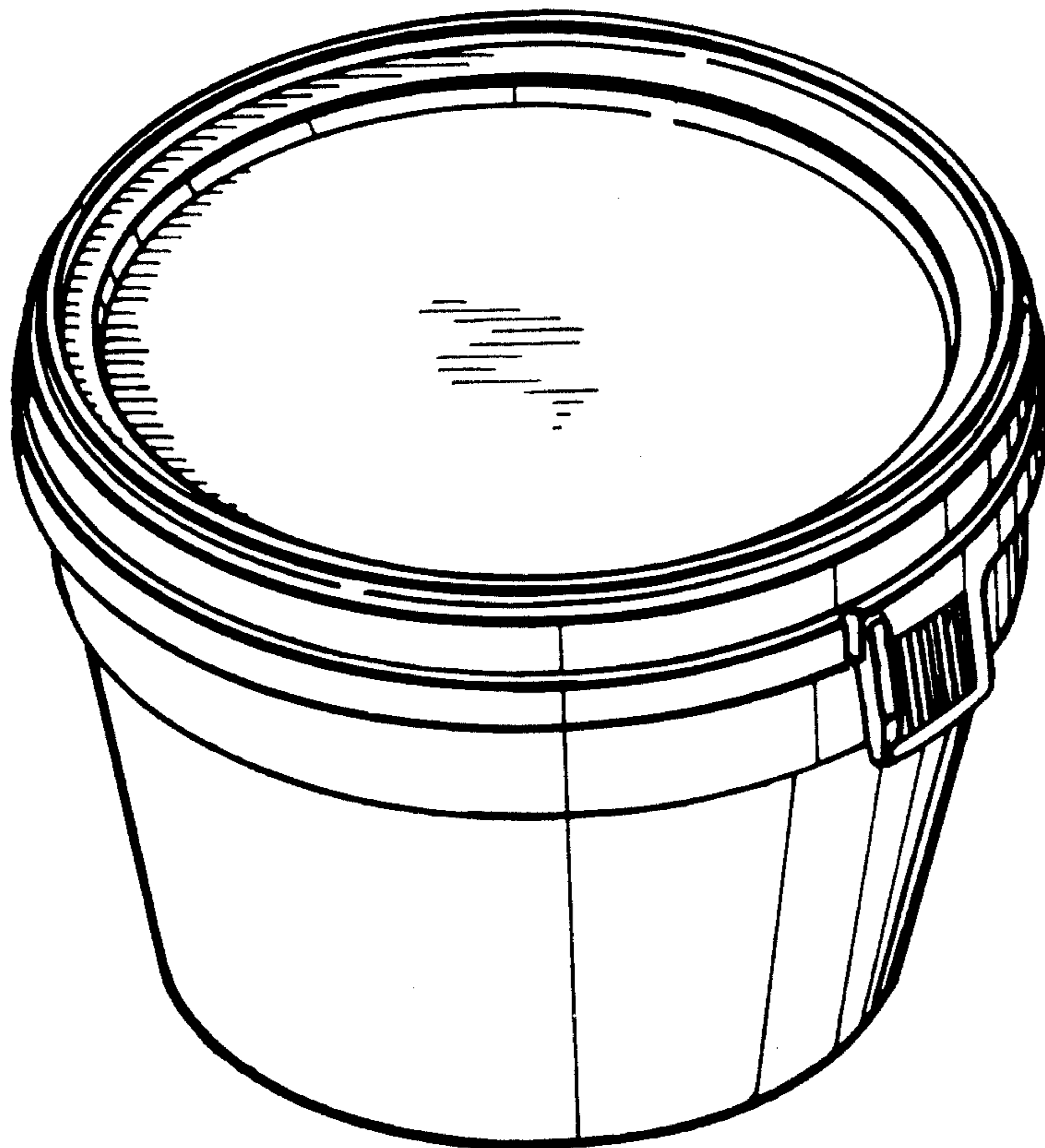


FIG-1

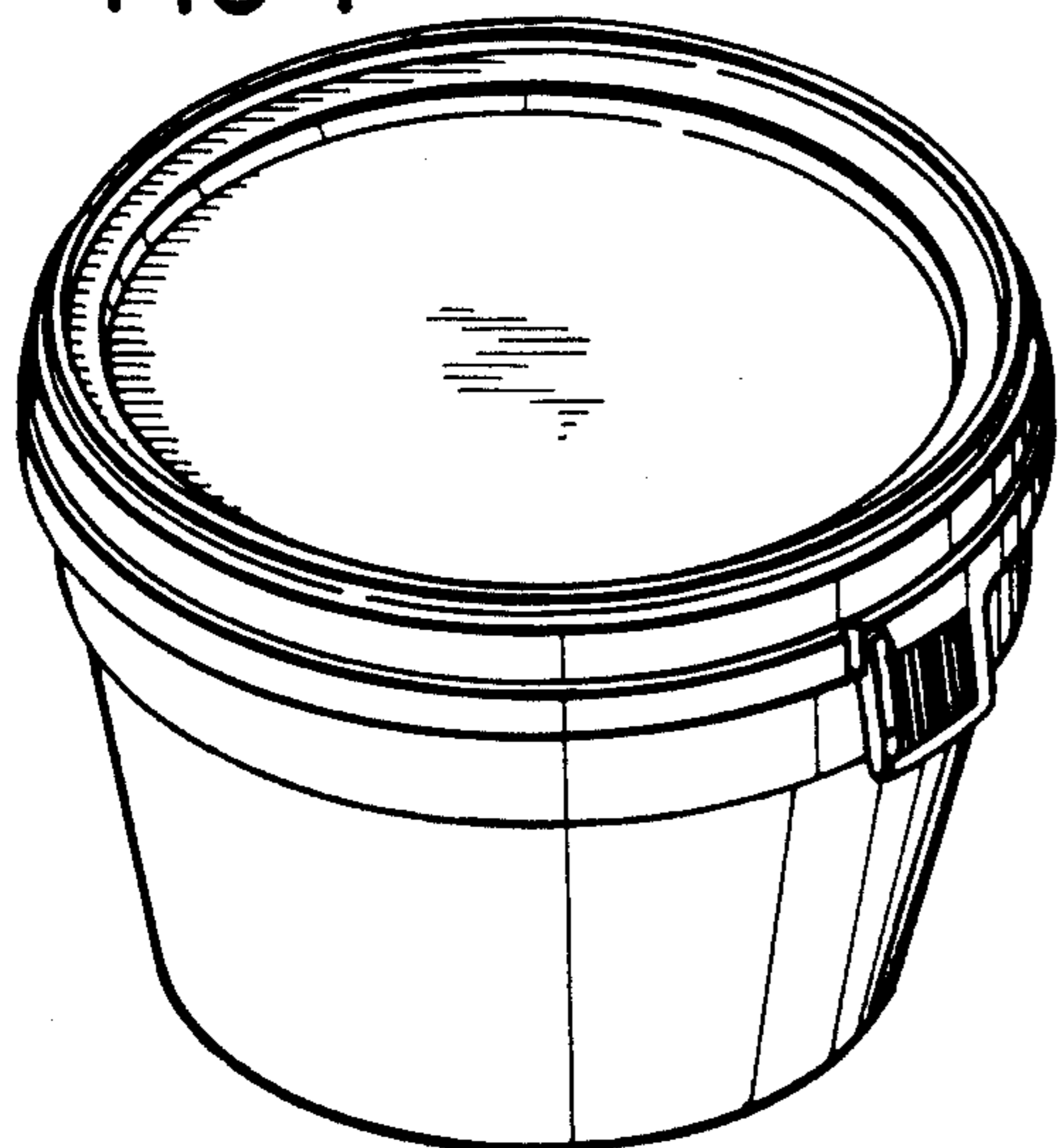


FIG-2

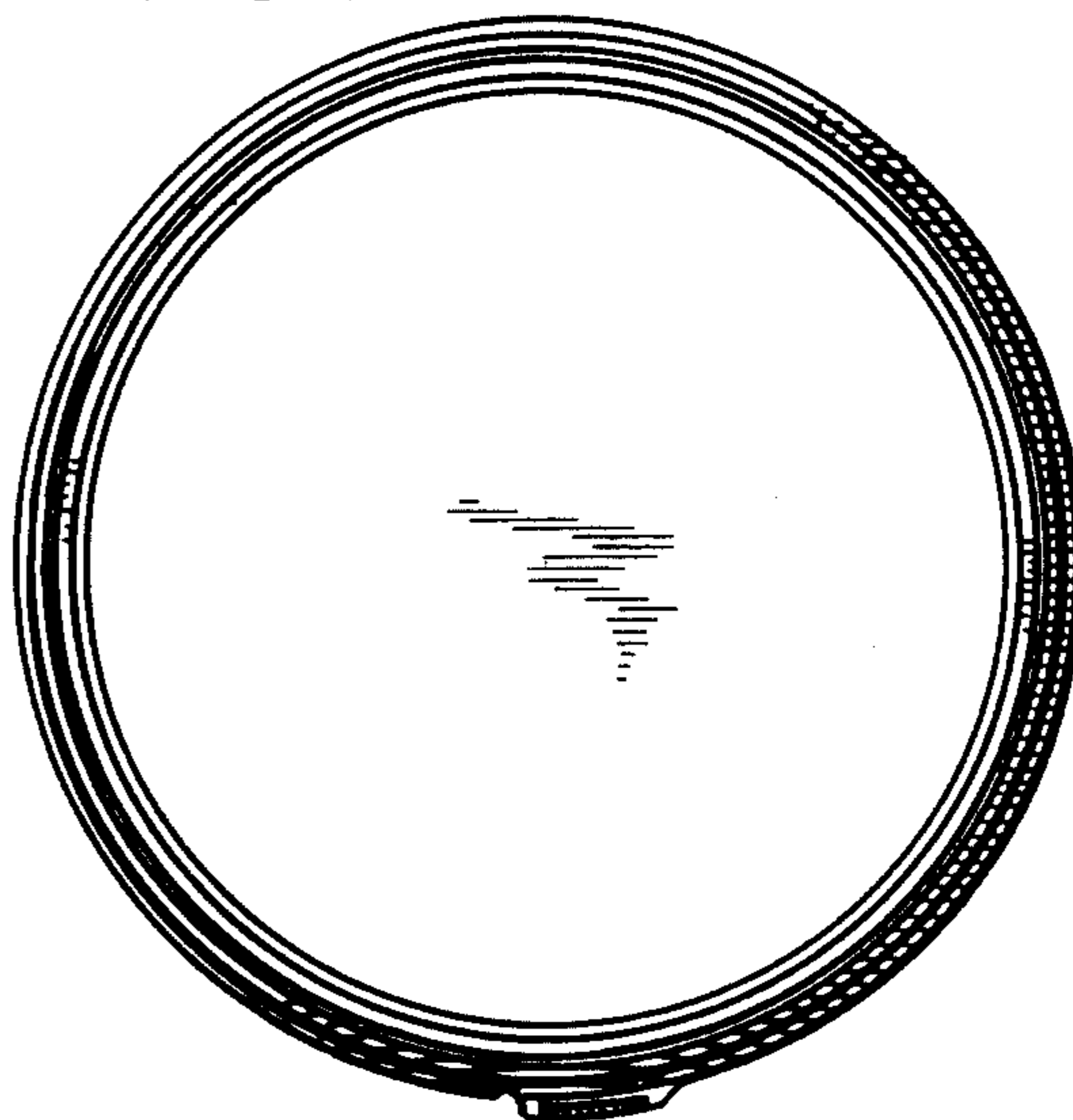


FIG-3

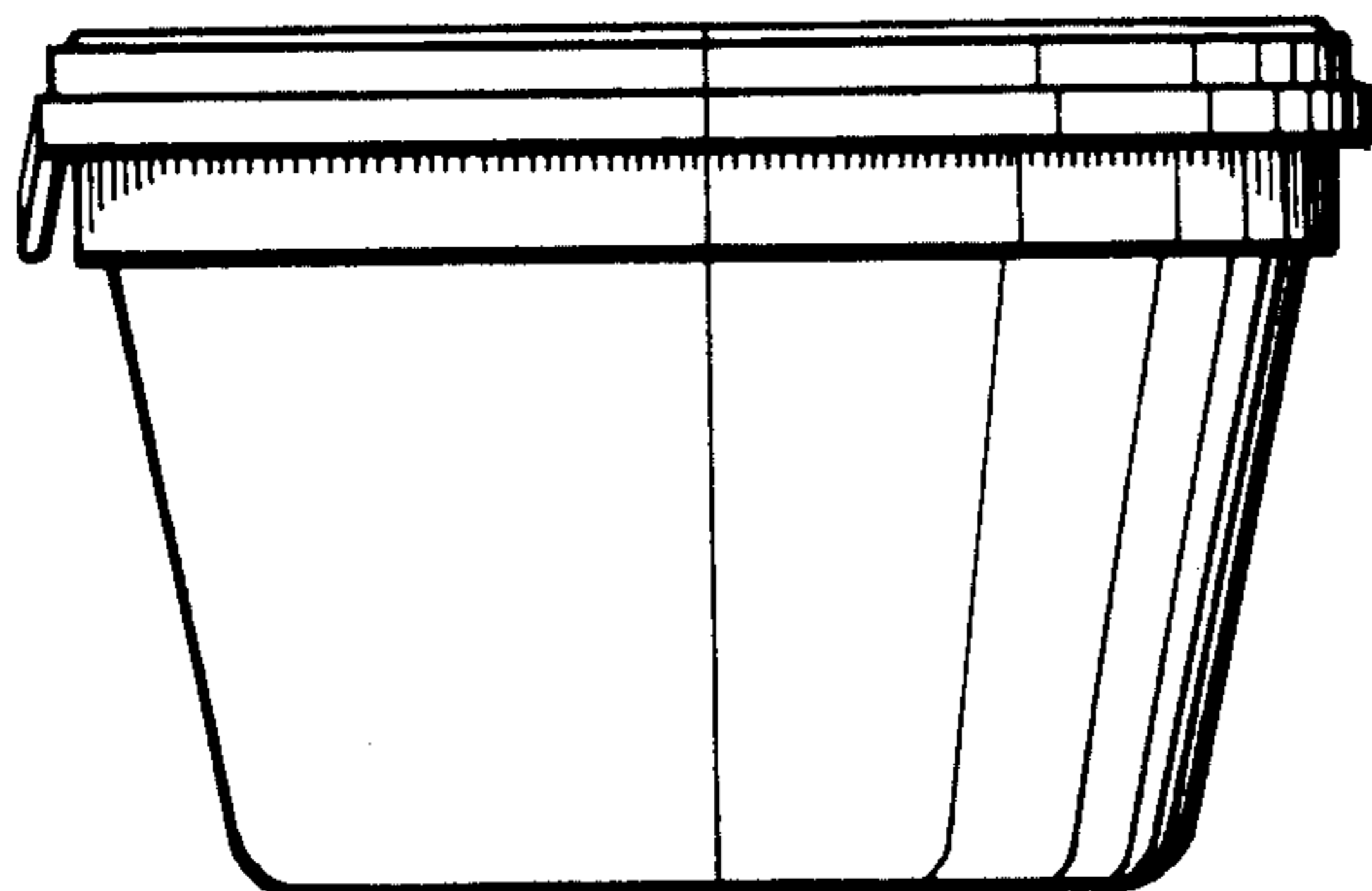


FIG-4

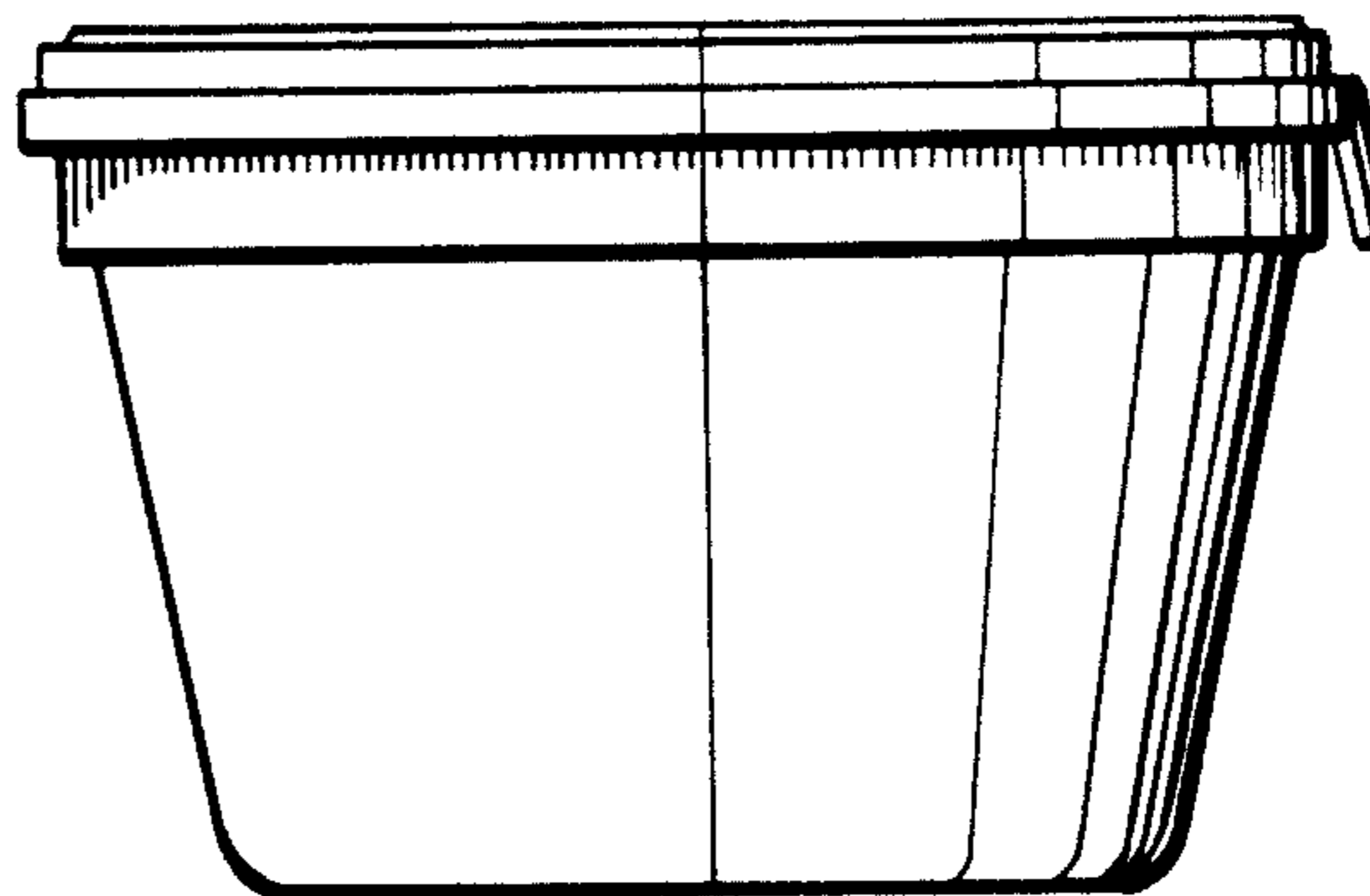


FIG-5

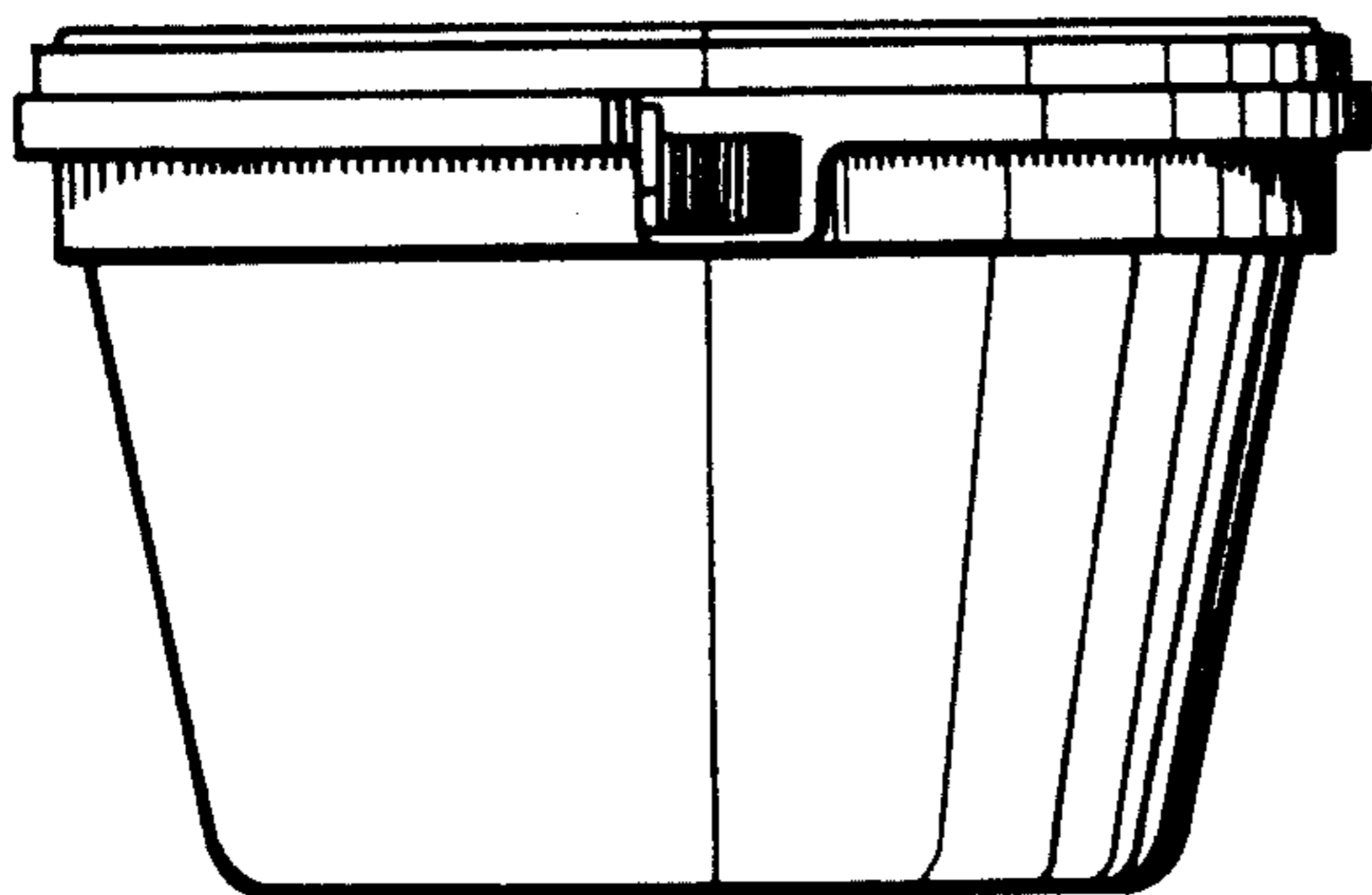


FIG-6

