

[54] COMBINED PACKAGING CONTAINER AND LID

[75] Inventor: Richard Sutton Cherry, Toronto, Canada

[73] Assignee: Phillips Plastics of North America, Inc., Toronto, Canada

[**] Term: 14 Years

[21] Appl. No.: 628,340

[22] Filed: Nov. 3, 1975

[51] Int. Cl. D9-03

[52] U.S. Cl. D9/219; D9/237

[58] Field of Search 279/1.5, 2.5, 3.5, 4.5, 279/43; 220/306; D7/16, 76, 77; D9/219, 237-240, 242-243; 150/0.5

[56] References Cited

U.S. PATENT DOCUMENTS

D. 189,594	1/1961	Robinson	D9/237
2,767,878	10/1956	Brown	D9/219 X
3,295,711	1/1967	Abrams	220/306 X
3,338,468	8/1967	Wilson	D7/76 X
3,377,017	4/1968	Rosenfield	229/43
3,399,803	9/1968	Oglevee et al.	220/306

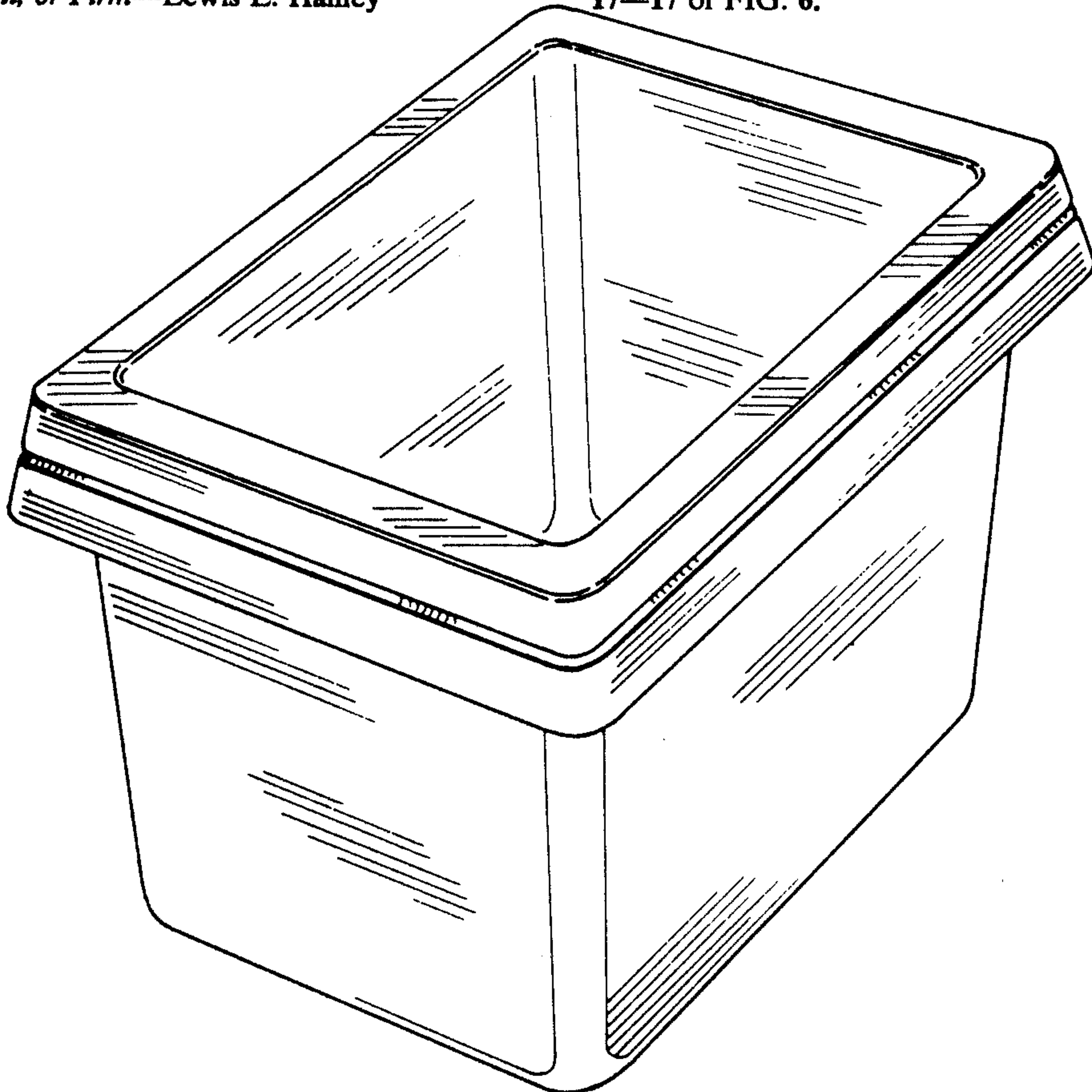
Primary Examiner—Robert C. Spangler
Attorney, Agent, or Firm—Lewis E. Hanley

[57] CLAIM

The ornamental design for a combined packaging container and lid, as shown.

DESCRIPTION

FIG. 1 is a top perspective view of a combined packaging container and lid showing my new design; FIG. 2 is a bottom perspective view thereof; FIG. 3 is a top perspective view thereof without the lid; FIG. 4 is a bottom perspective view thereof without the lid; FIG. 5 is a top perspective view of the lid thereof; FIG. 6 is a bottom perspective view of the lid thereof; FIG. 7 is a top perspective view of a modified form of the container of my new design; FIG. 8 is a bottom perspective view thereof; FIG. 9 is a top perspective view of a modified form of the lid of my new design, for use with the container of FIGS. 7 and 8; FIG. 10 is a bottom perspective view thereof; FIG. 11 is a side view in elevation of the container of FIG. 7; FIG. 12 is an end view in elevation of the container of FIG. 7; FIG. 13 is a side view in elevation of the container of FIG. 3; FIG. 14 is an end view in elevation of the container of FIG. 3; FIG. 15 is a side view in elevation of the lids of FIG. 5 and FIG. 9; FIG. 16 is an end view of the lids of FIG. 5 and FIG. 9; and FIG. 17 is a cross-sectional view taken along line 17-17 of FIG. 6.



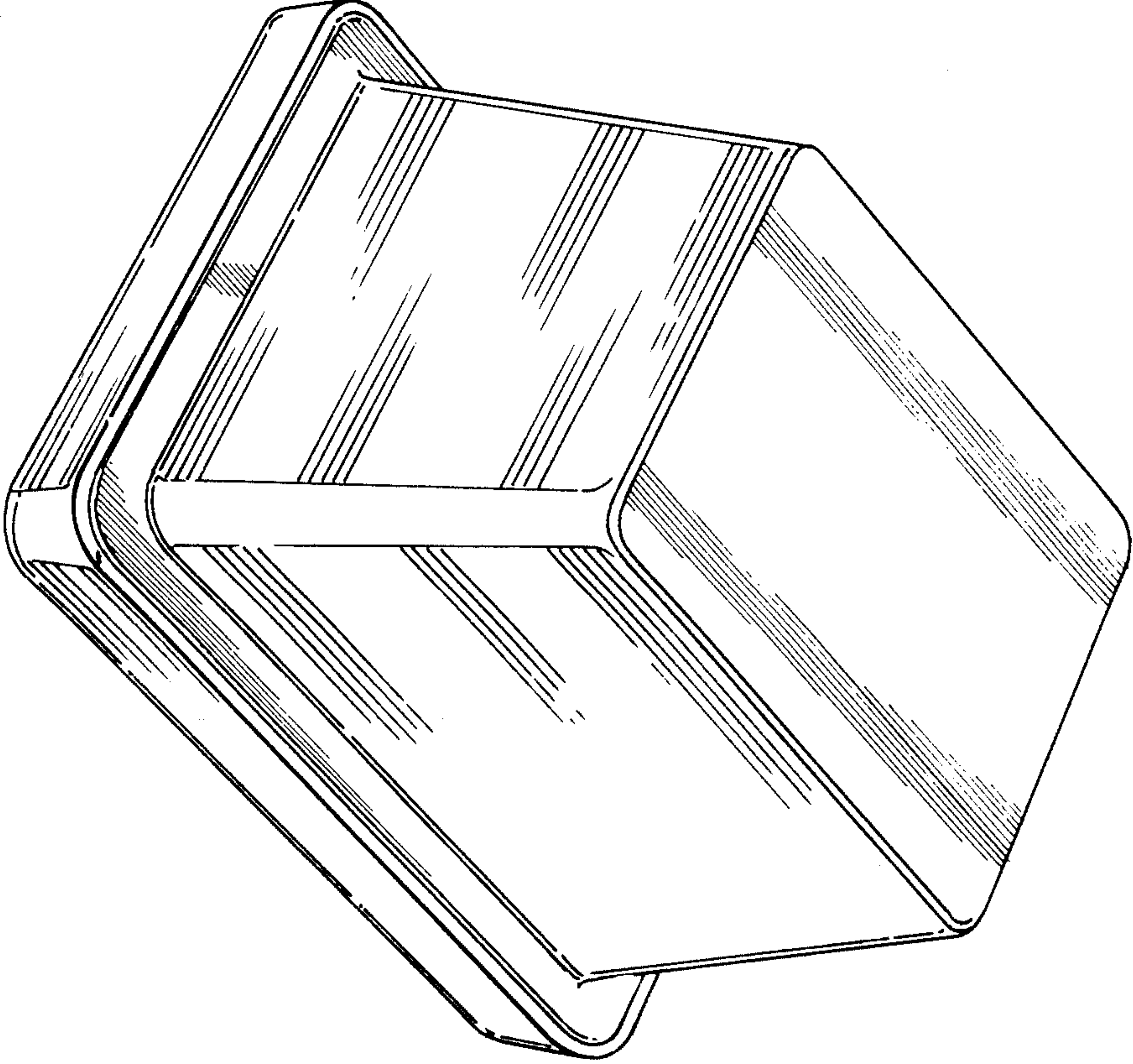


FIG. 2

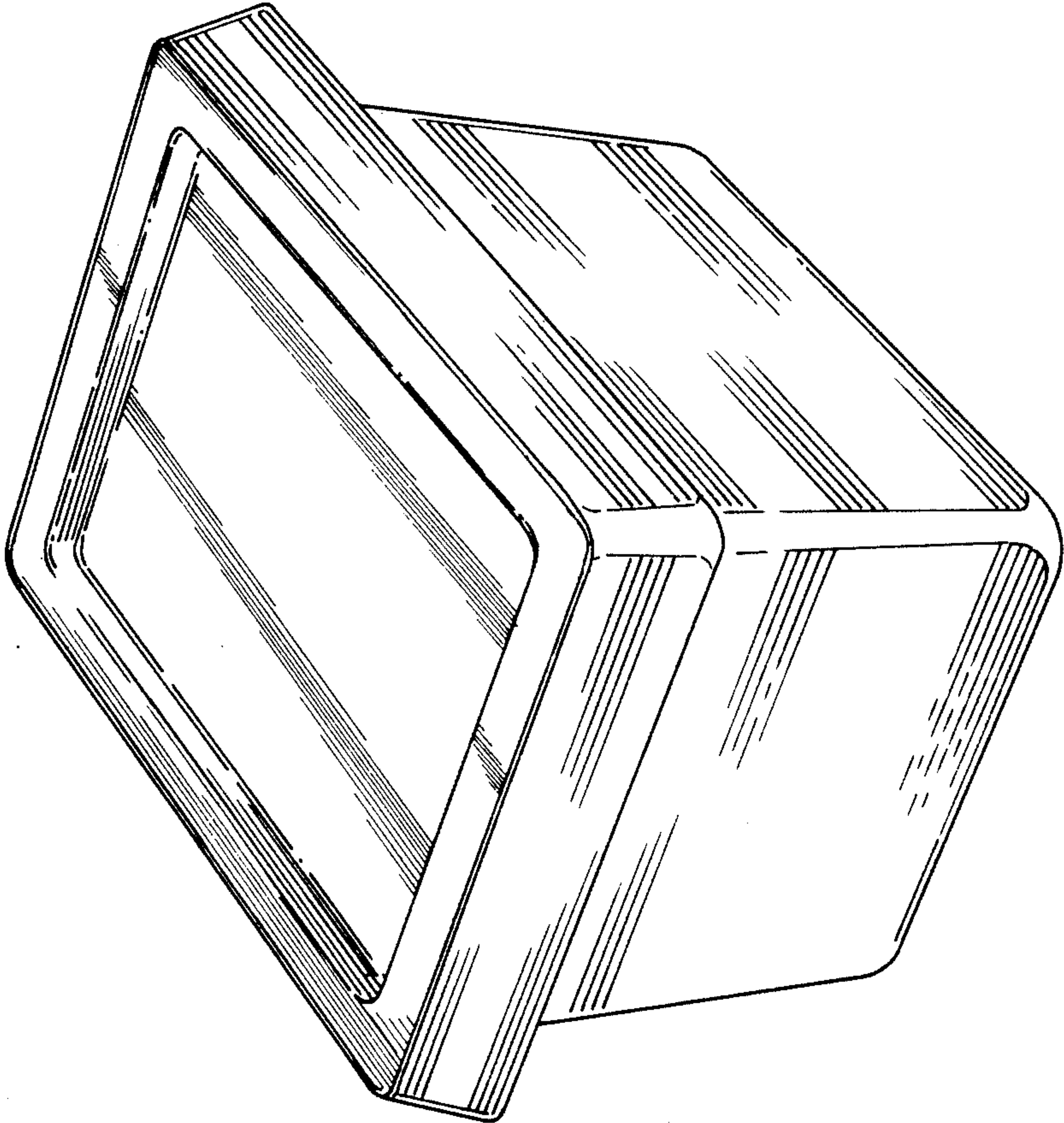


FIG. 1

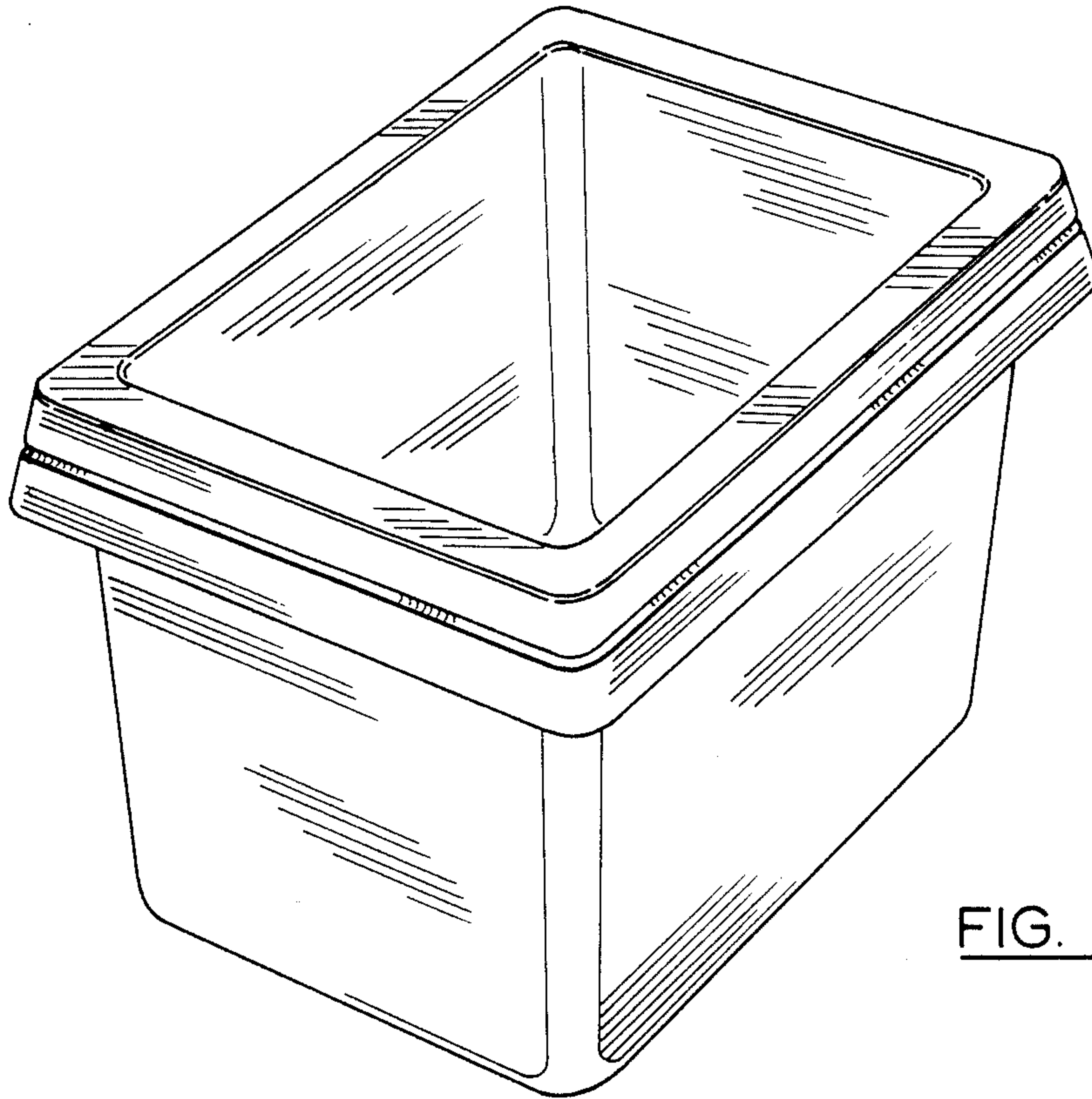


FIG. 3

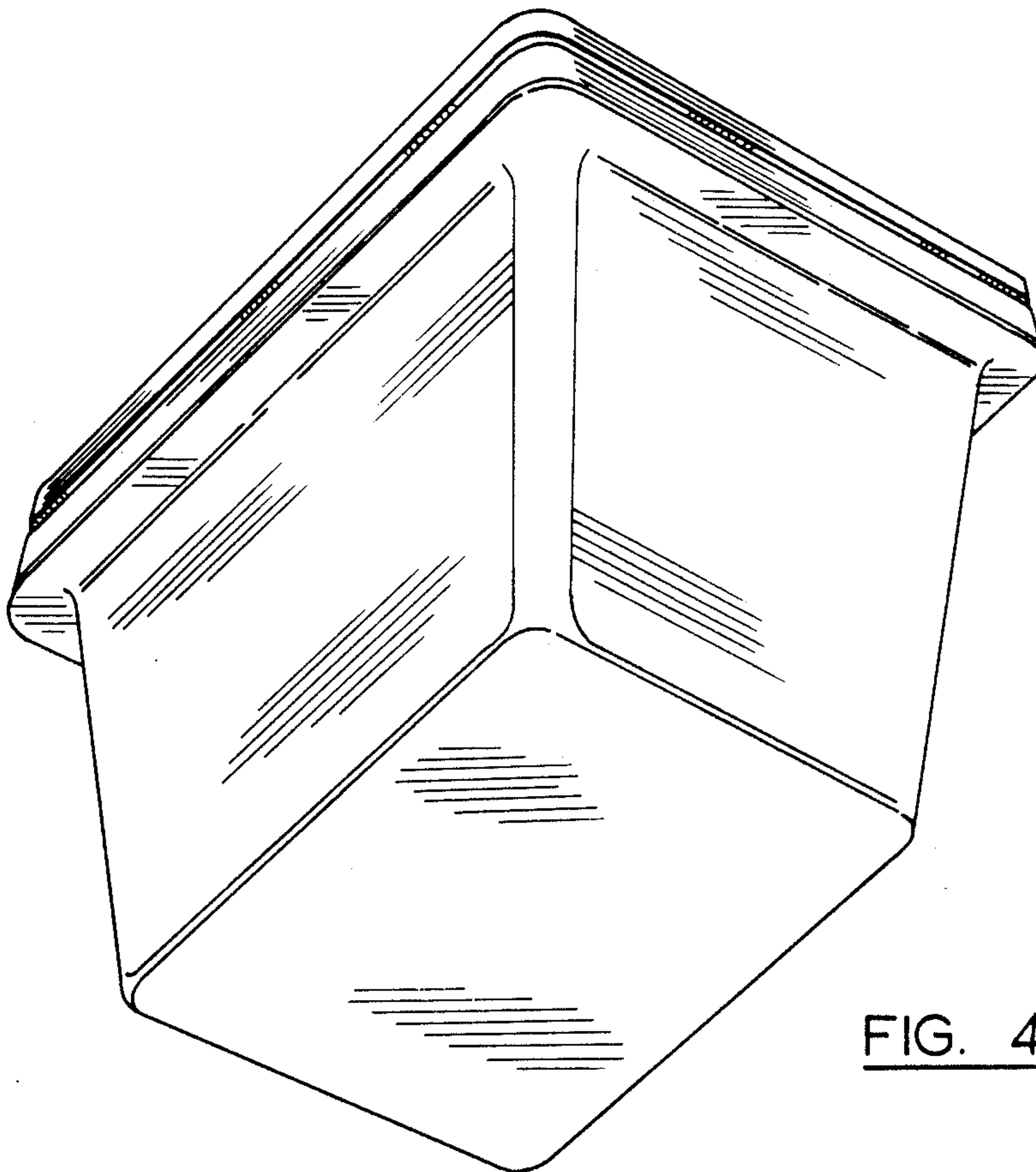


FIG. 4

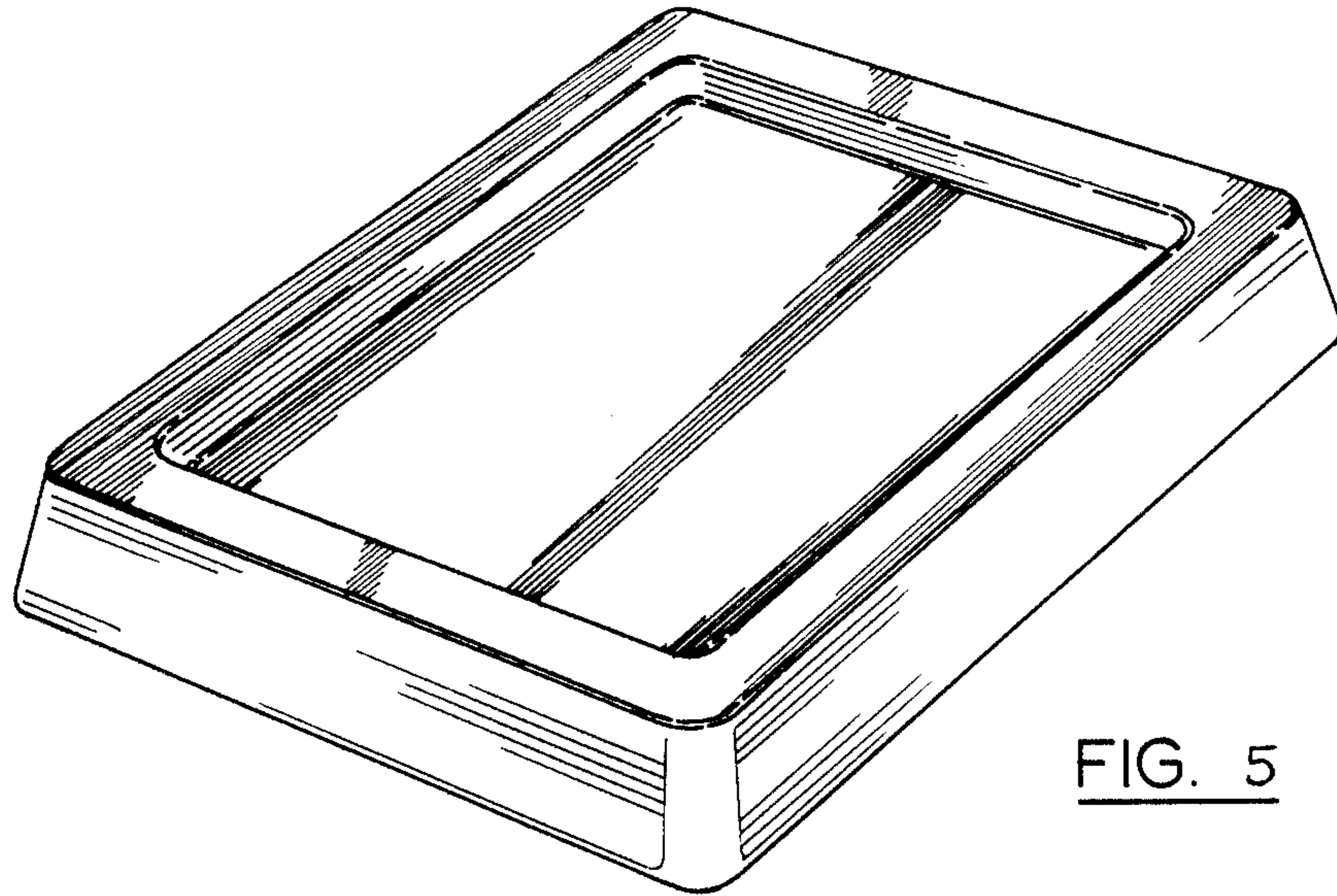


FIG. 5

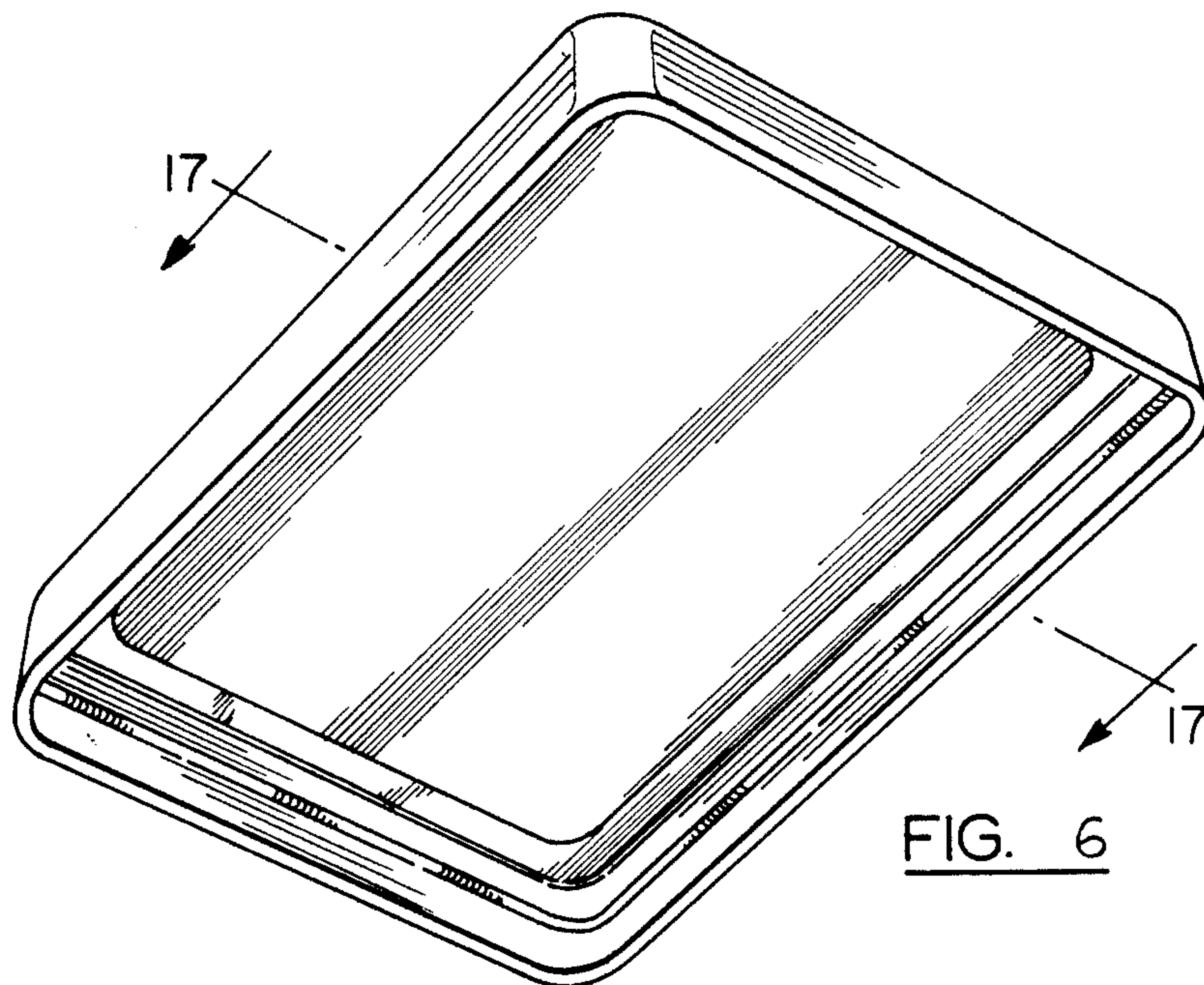


FIG. 6

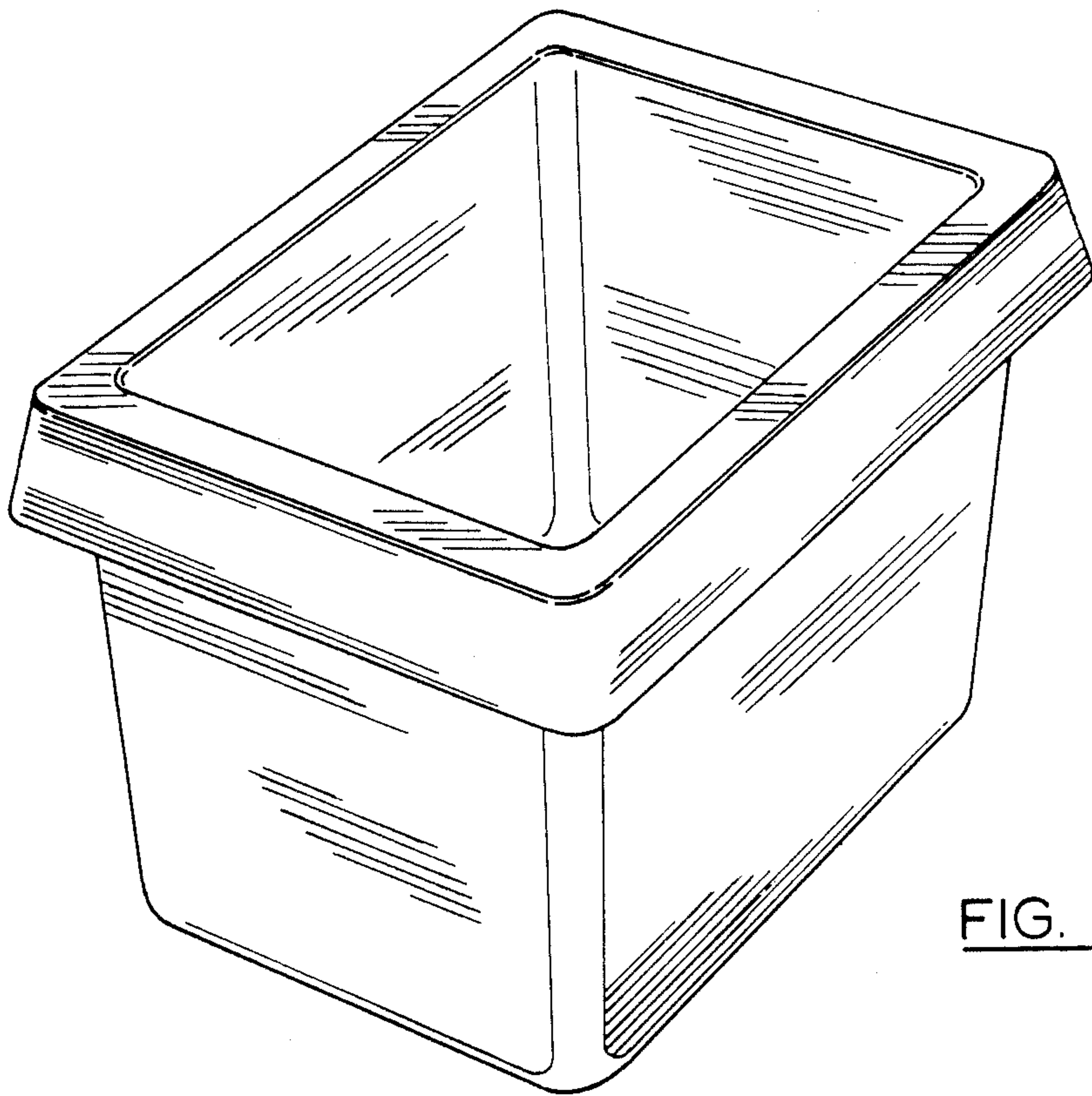


FIG. 7

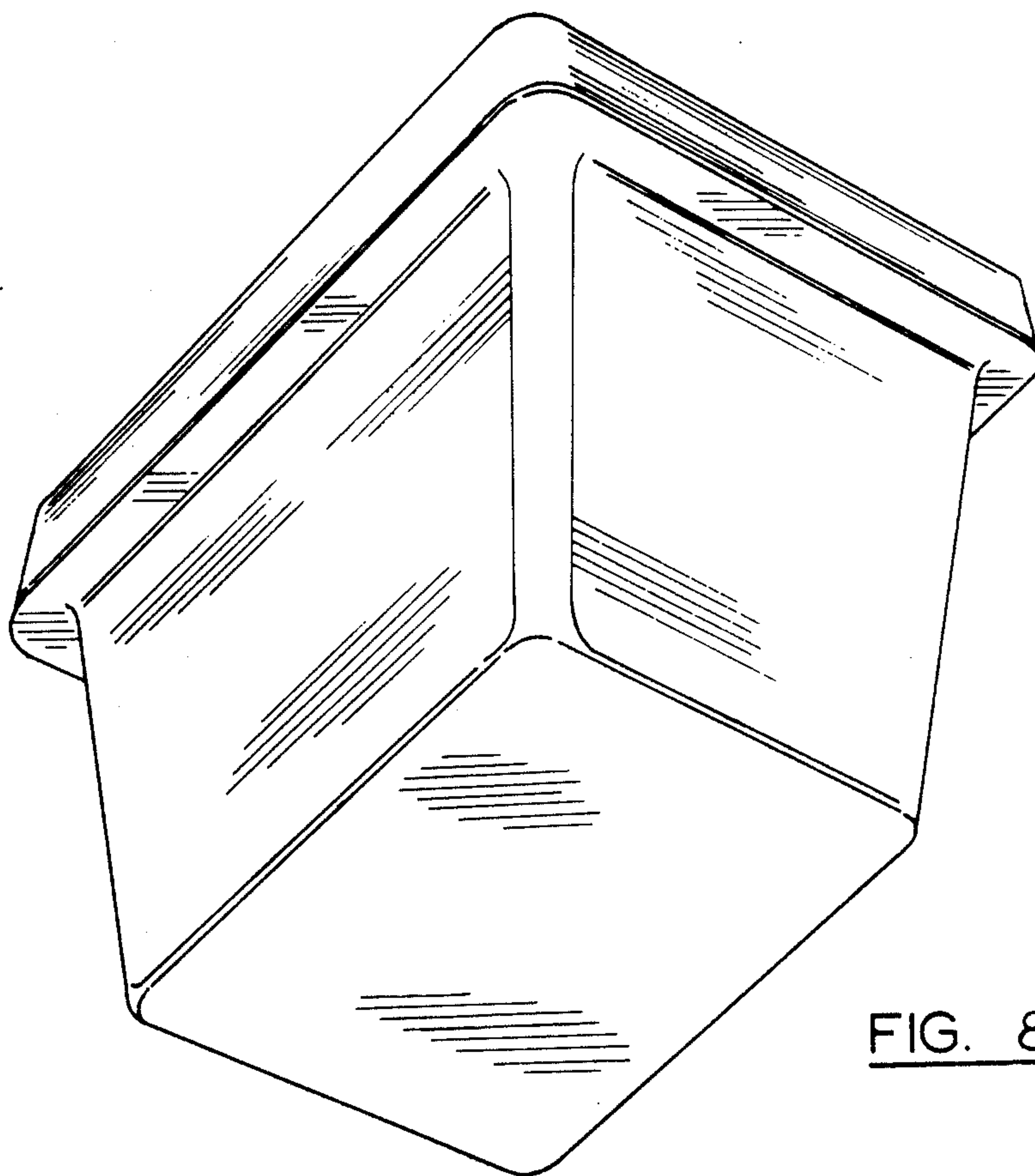


FIG. 8

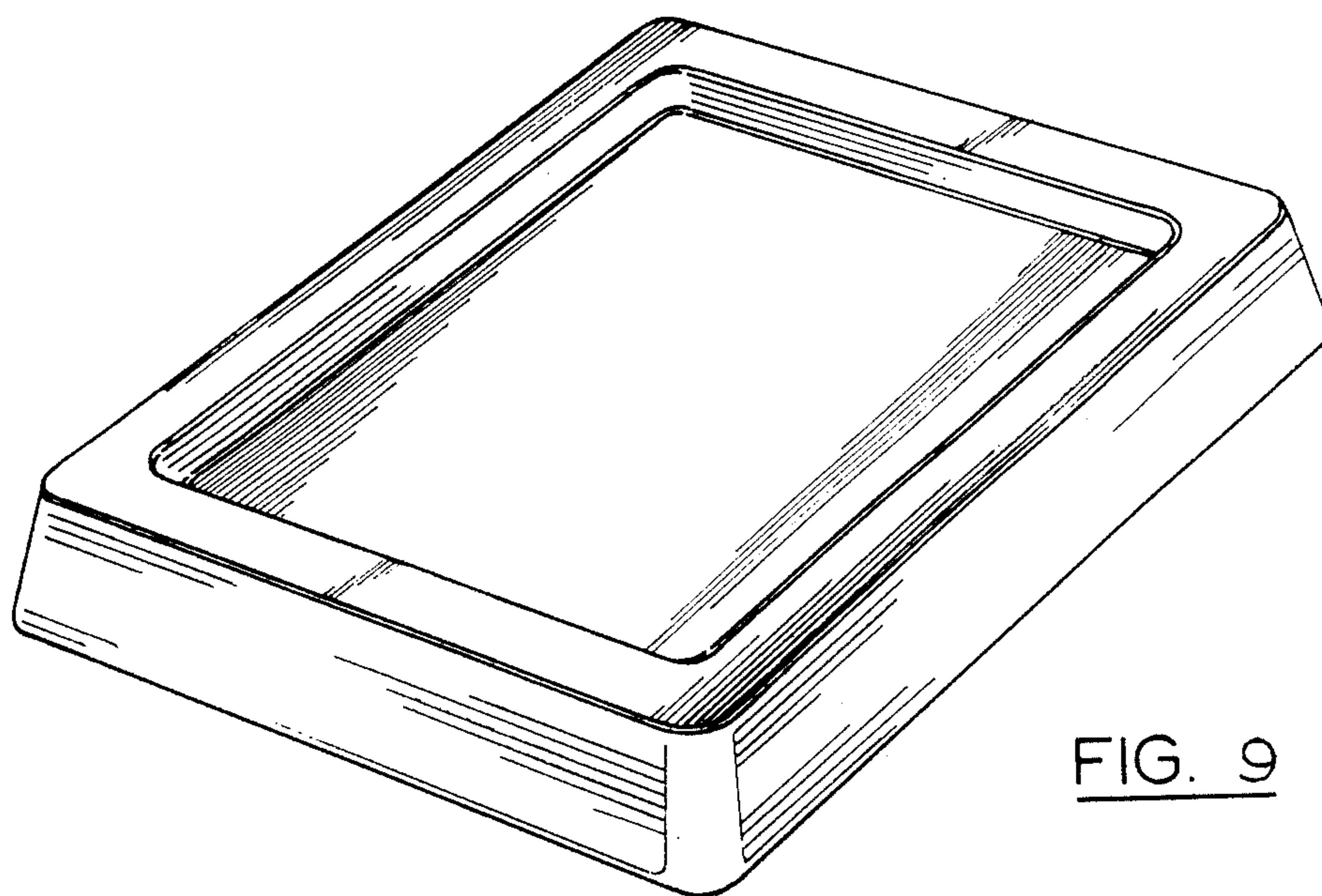


FIG. 9

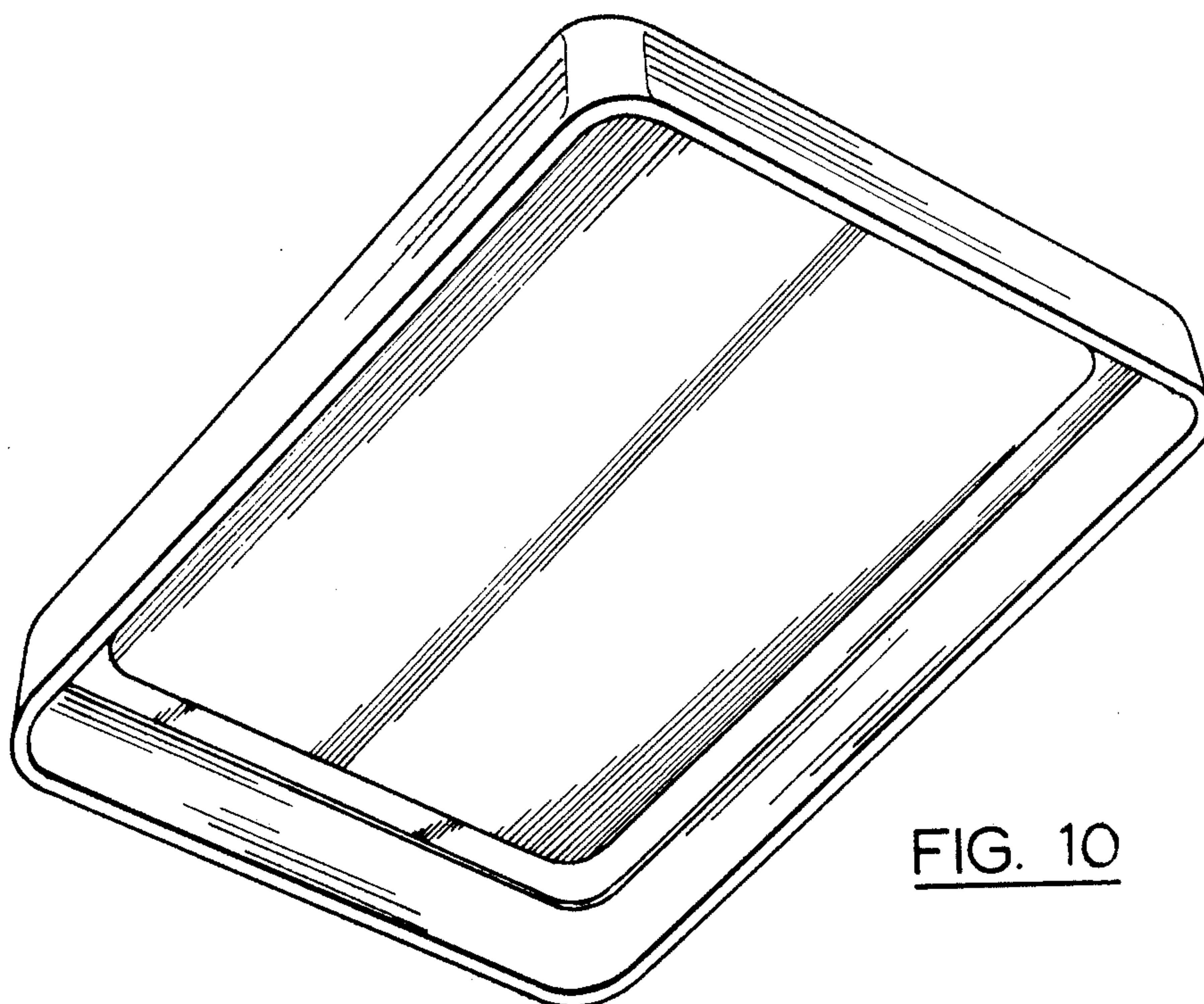


FIG. 10

FIG.11

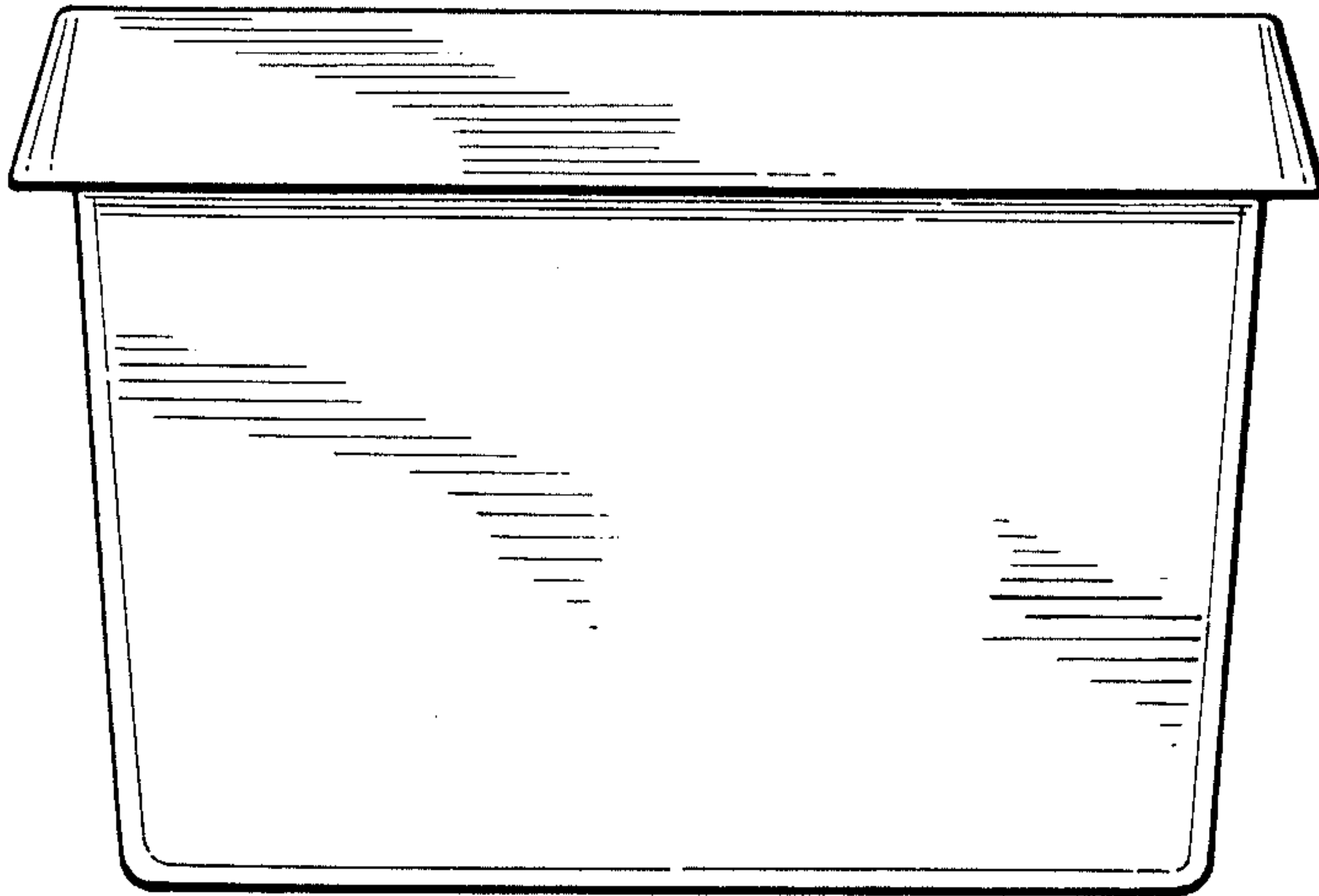


FIG.12

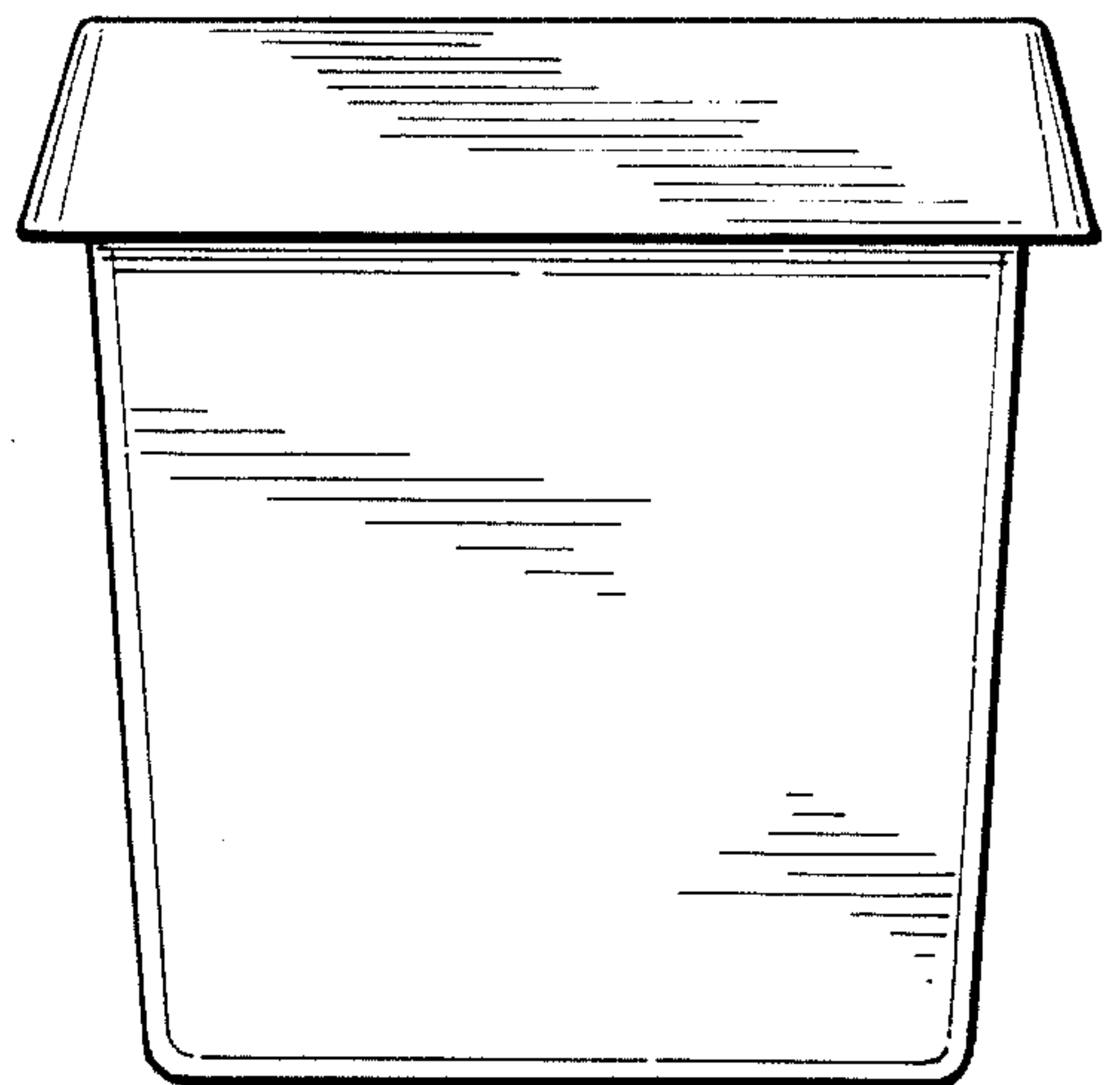


FIG.13

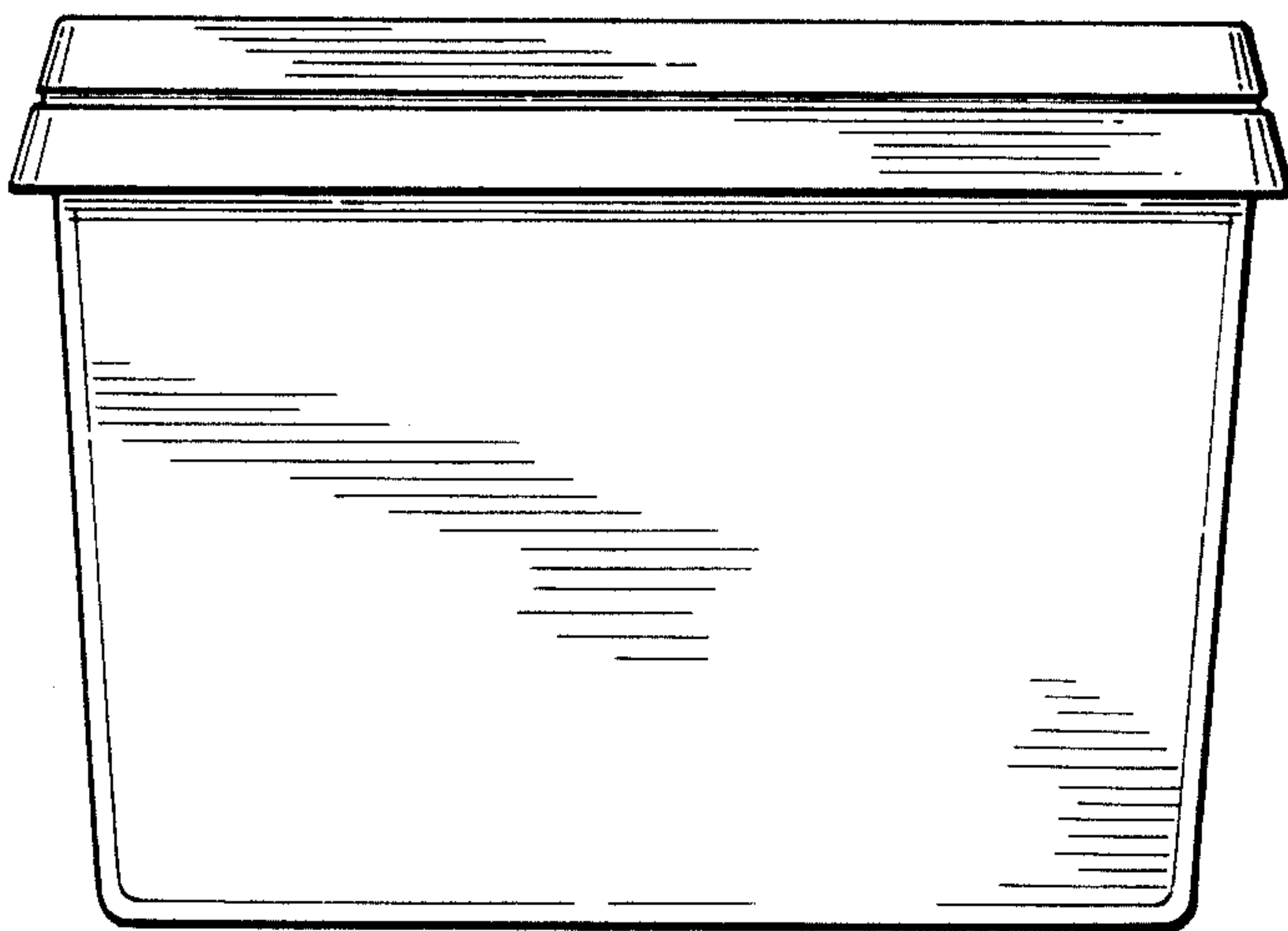


FIG.14

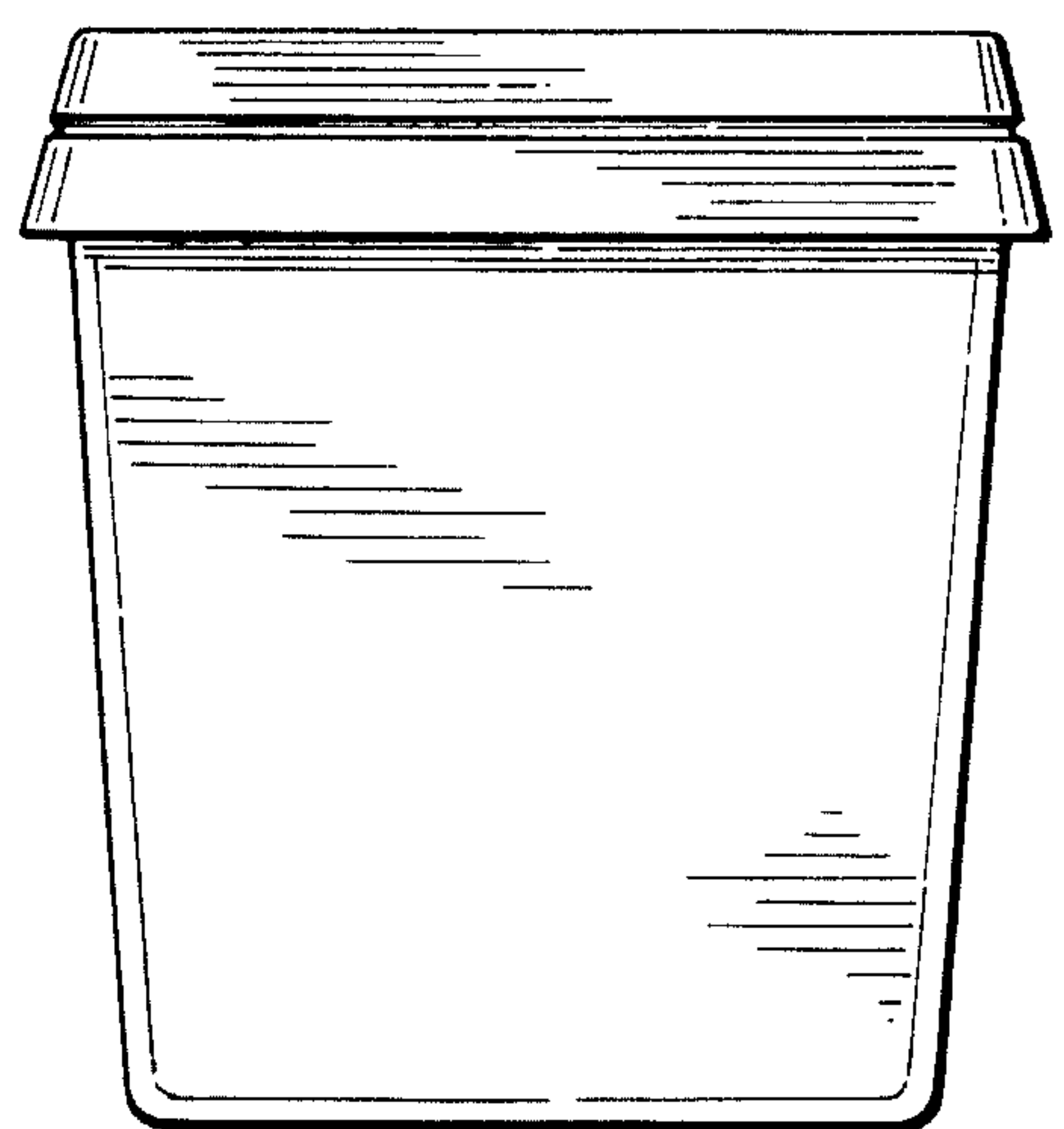


FIG.17

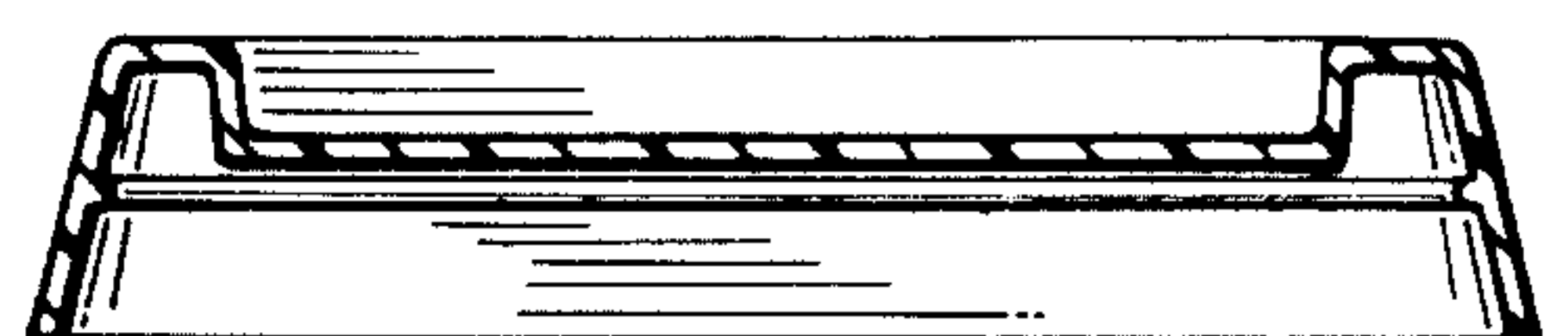


FIG.15

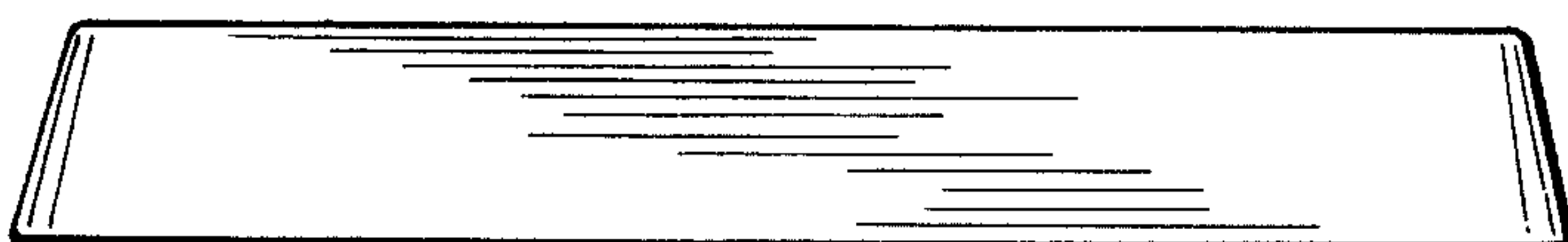


FIG.16

