

[54] DOOR STOP OR SIMILAR ARTICLE

[75] Inventor: Robert E. Miller, Jr., Bronxville, N.Y.

[73] Assignee: Robert E. Miller & Co., Inc., Newark, N.J.

[\*\*] Term: 14 Years

[21] Appl. No.: 696,041

[22] Filed: Jun. 14, 1976

[51] Int. Cl. .... D8-09

[52] U.S. Cl. .... D8/402

[58] Field of Search ..... D8/402; 292/DIG. 15; 16/86 R, 86 A

[56]

References Cited

U.S. PATENT DOCUMENTS

D. 86,677	4/1932	Johnson .....	D8/402
2,311,278	2/1943	Johnson .....	16/86 A
2,715,242	8/1955	Smith .....	16/86 A

Primary Examiner—Alan P. Douglas  
Attorney, Agent, or Firm—Albert H. Kirchner

[57]

CLAIM

The ornamental design for a door stop or similar article, as shown.

DESCRIPTION

FIG. 1 is a front perspective view of a door stop or similar article, showing my new design; FIG. 2 is a front elevational view thereof; FIG. 3 is a side elevational view thereof; FIG. 4 is a top plan view thereof; FIG. 5 is a rear elevational view thereof; and FIG. 6 is a bottom plan view thereof.

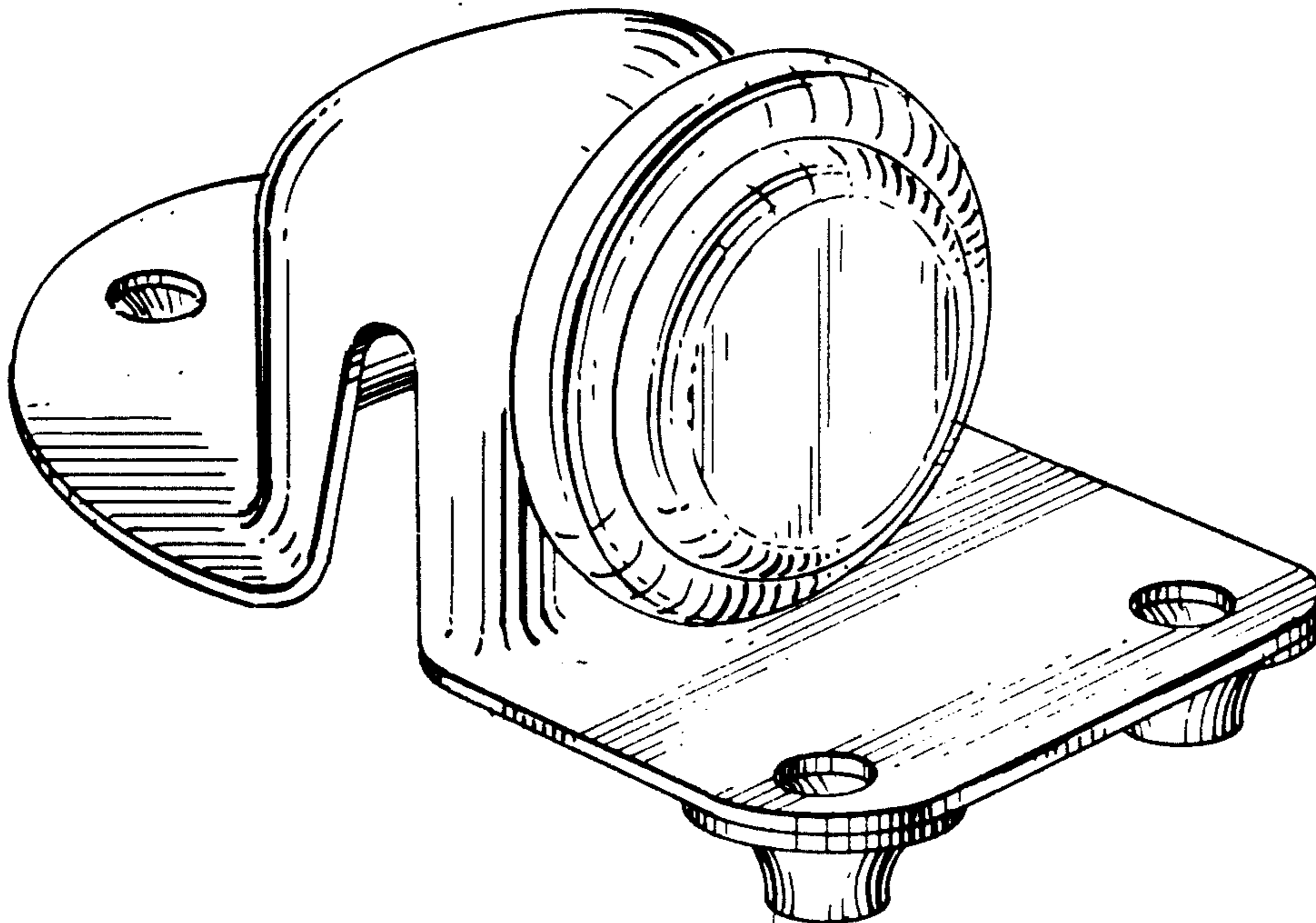


FIG. 1

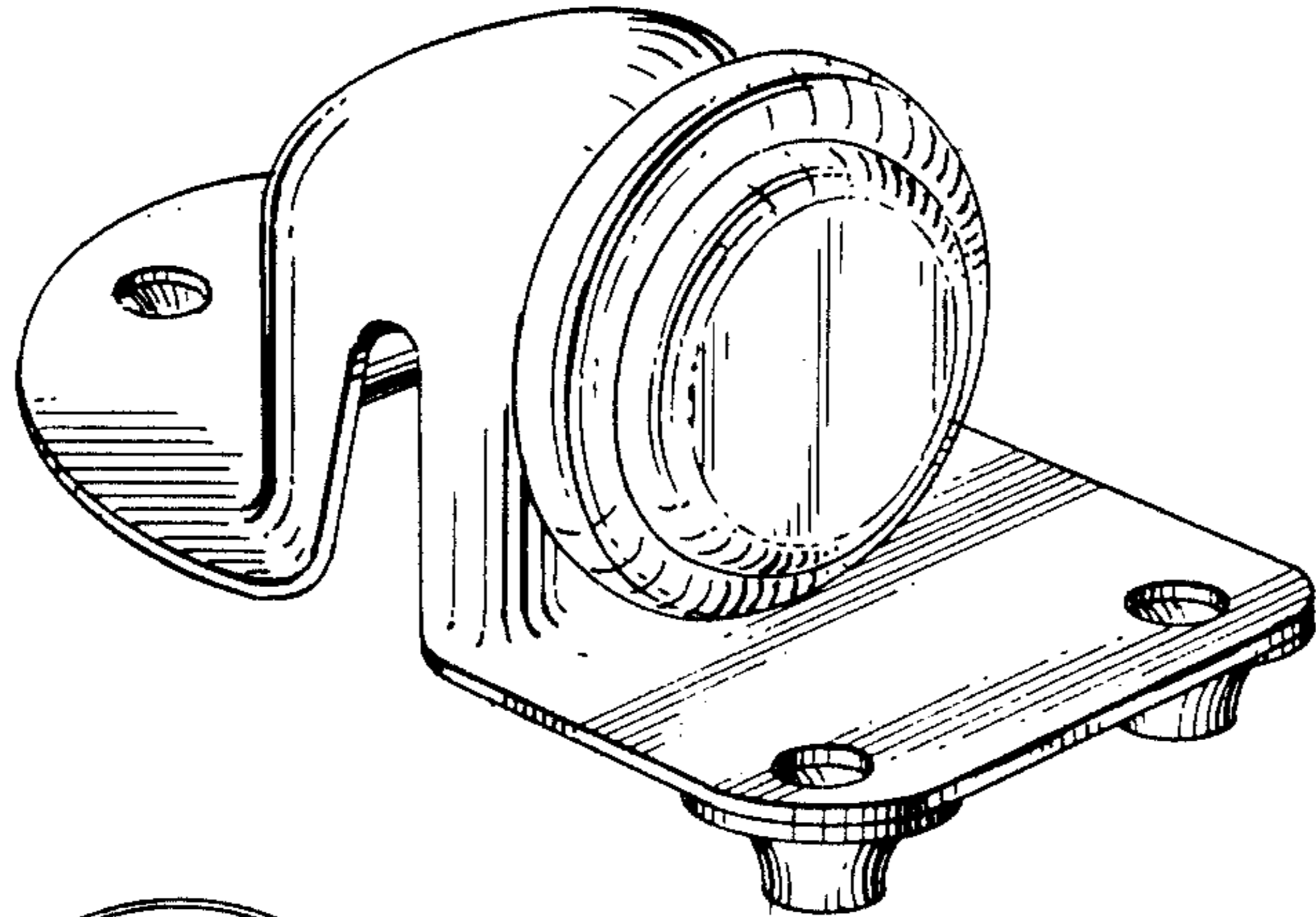


FIG. 2

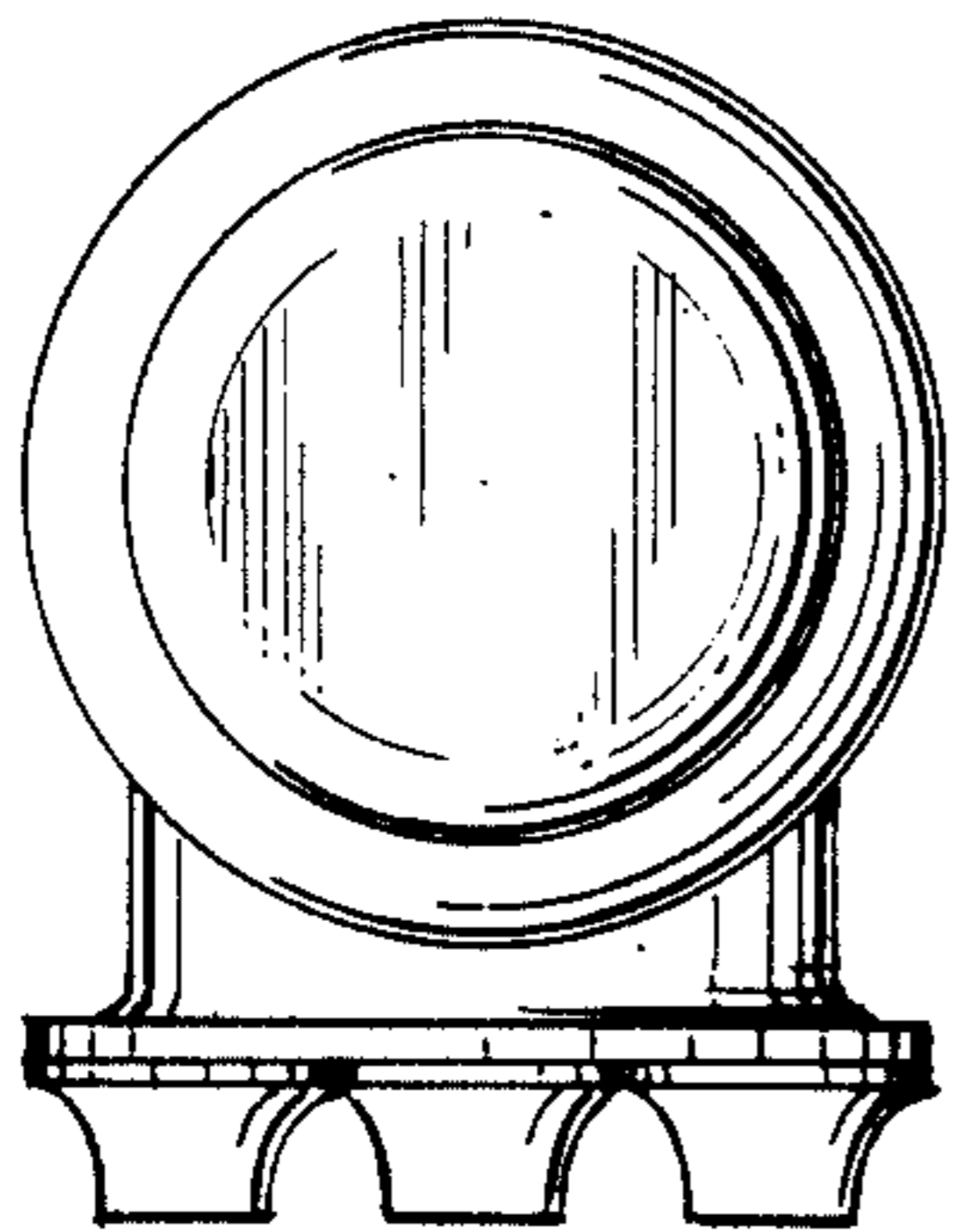


FIG. 4

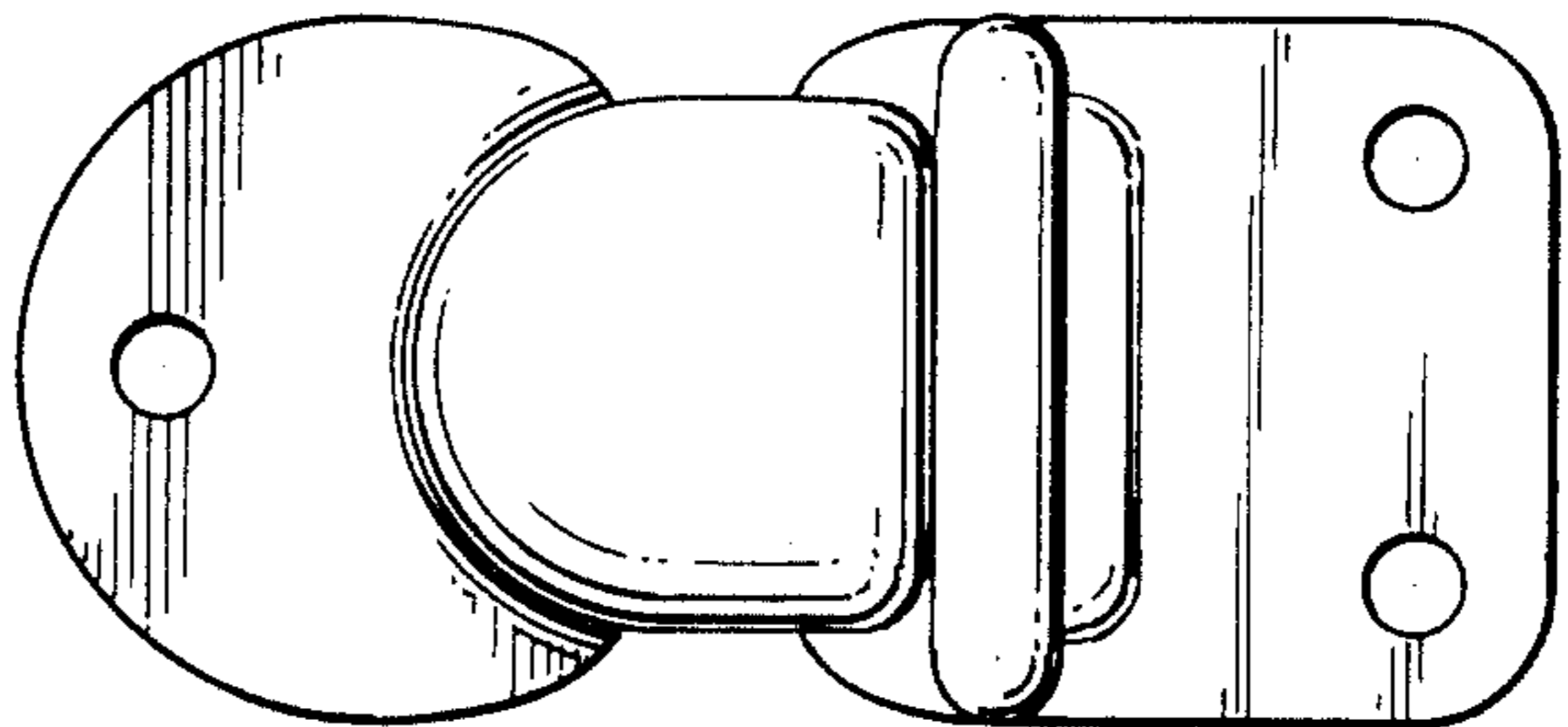


FIG. 5

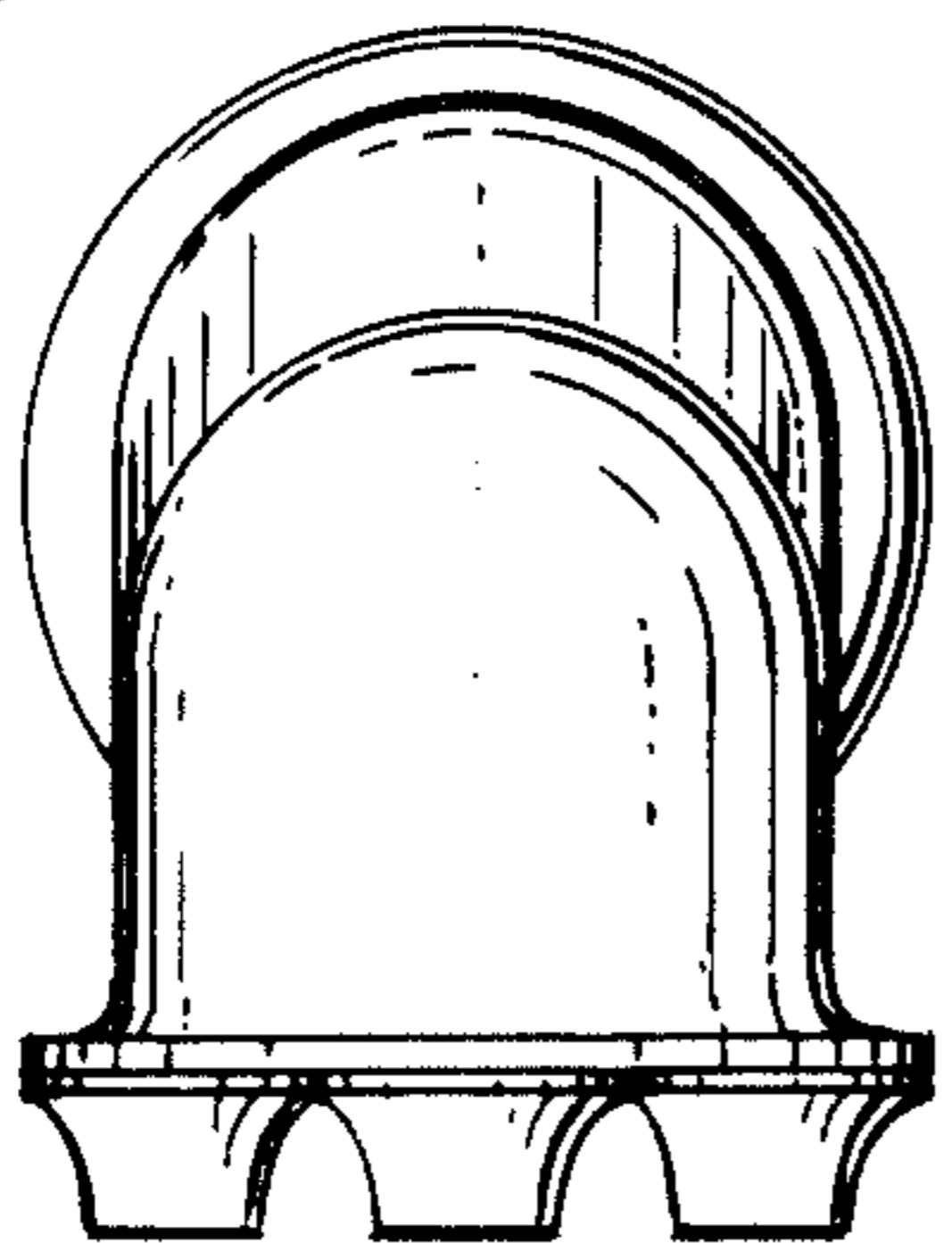


FIG. 3

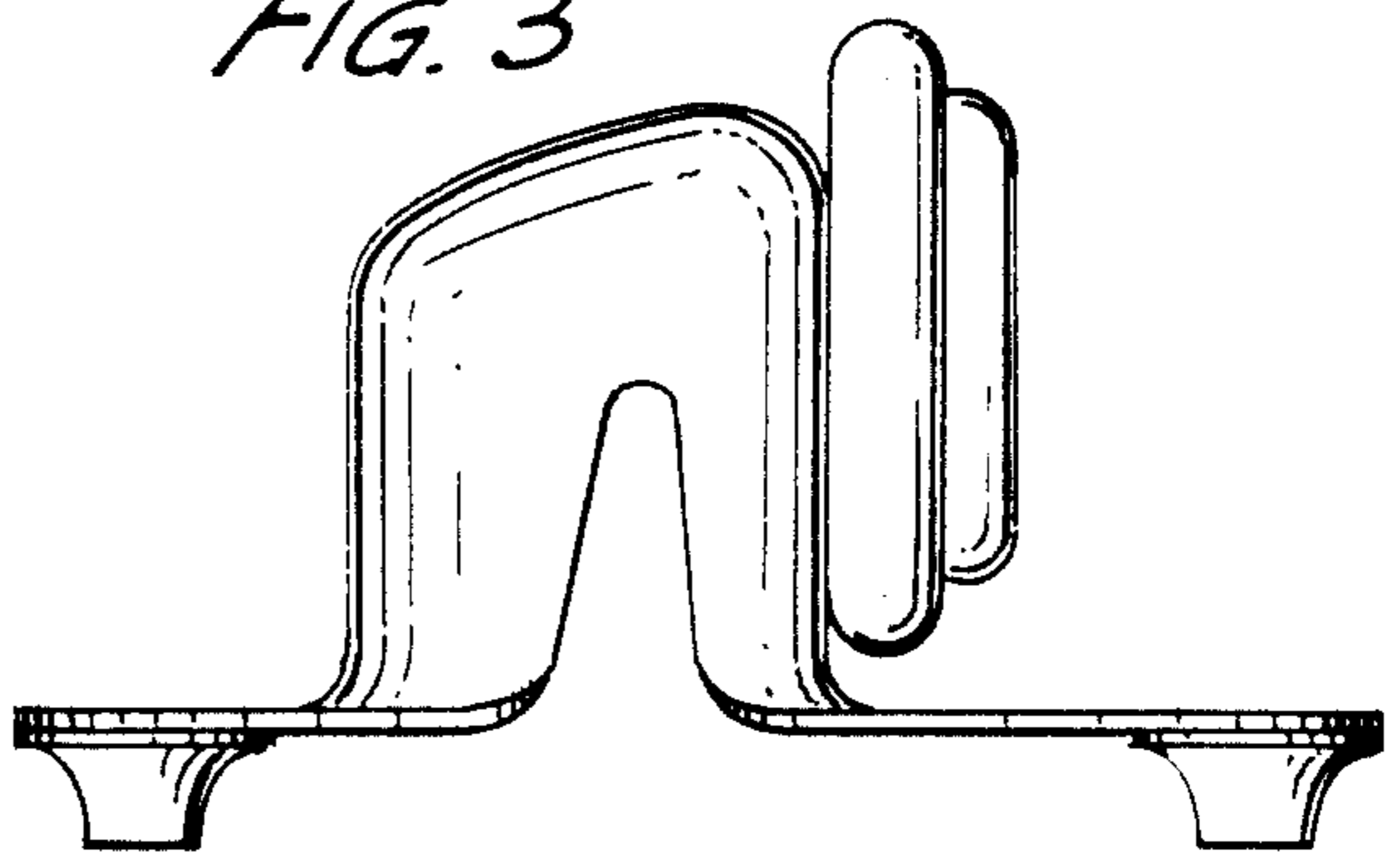


FIG. 6

