

[54] ICE SKATE SHARPENER AND LACE
TIGHTENING DEVICE

[76] Inventor: Gary G. Dill, 28392 Magnolia Dr.,
North Olmsted, Ohio 44138

[**] Term: 14 Years

[21] Appl. No.: 702,083

[22] Filed: Jul. 2, 1976

[51] Int. Cl. D8-05

[52] U.S. Cl. D8/91

[58] Field of Search D8/91, 105; 51/205 WG

[56] References Cited

U.S. PATENT DOCUMENTS

D. 152,011 12/1948 McGoey D8/91
2,635,397 4/1953 Baron 51/205 WG

3,921,341 11/1975 Thompson 51/205 WG

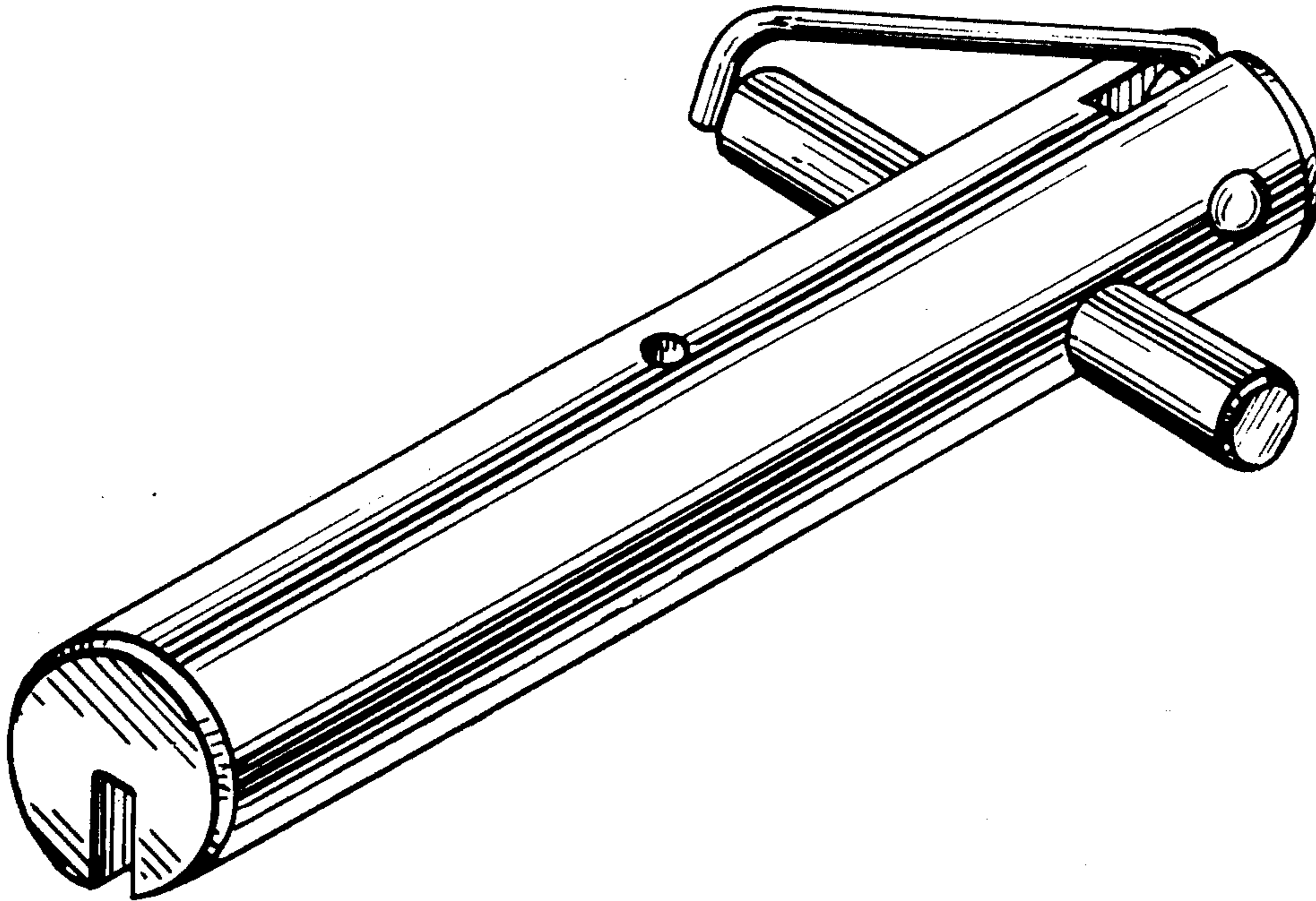
Primary Examiner—Alan P. Douglas
Attorney, Agent, or Firm—George S. Baldwin

[57] CLAIM

The ornamental design for an ice skate sharpener and lace tightening device, substantially as shown and described.

DESCRIPTION

FIG. 1 is a top plan view of an ice skate sharpener and lace tightening device embodying my new design; FIG. 2 is a bottom plan view thereof; FIG. 3 is a side elevational view thereof; FIG. 4 is a rear end elevational view thereof; FIG. 5 is a front end elevational view thereof; FIG. 6 is a perspective view thereof with the lace tightening bar in an alternate position from that shown in the other figures.



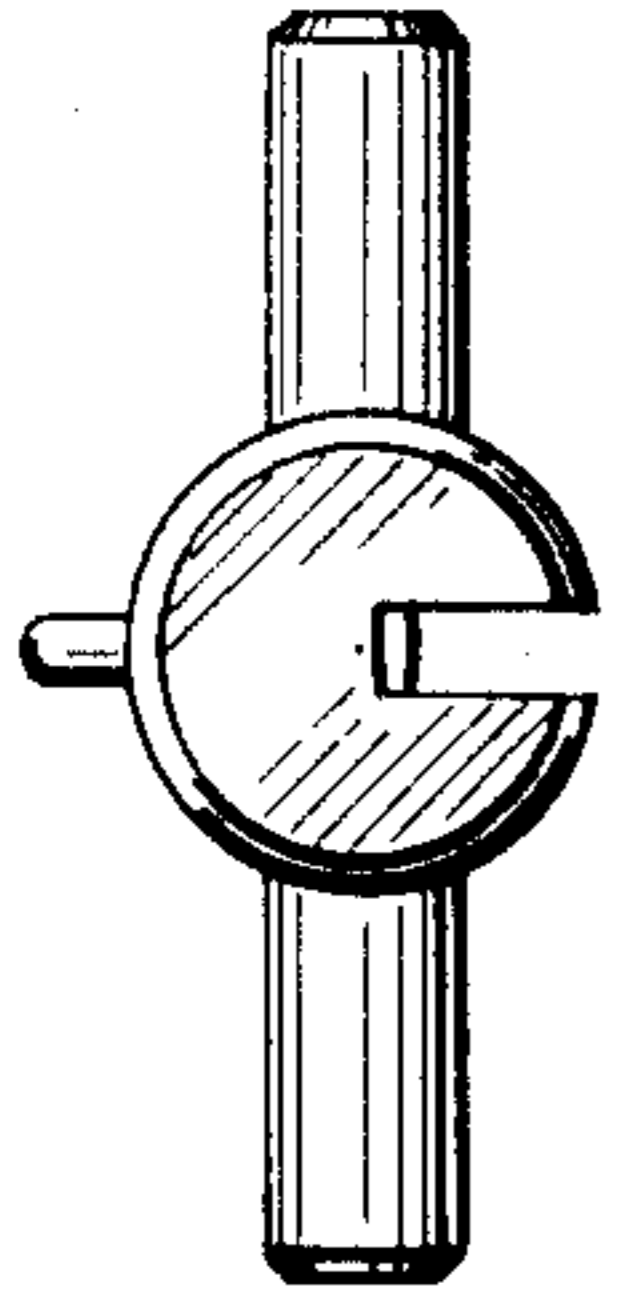


Fig. 4

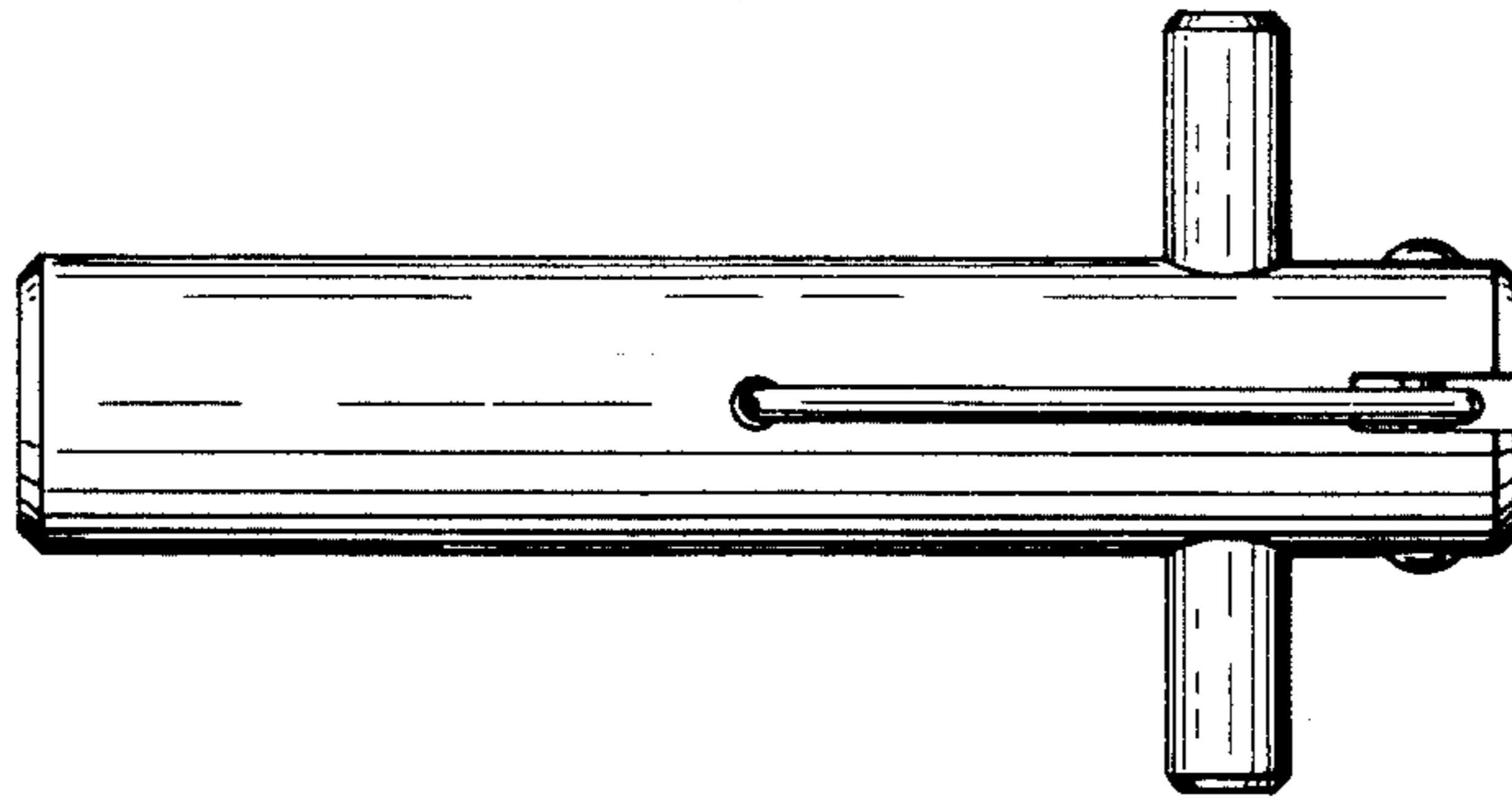


Fig. 1

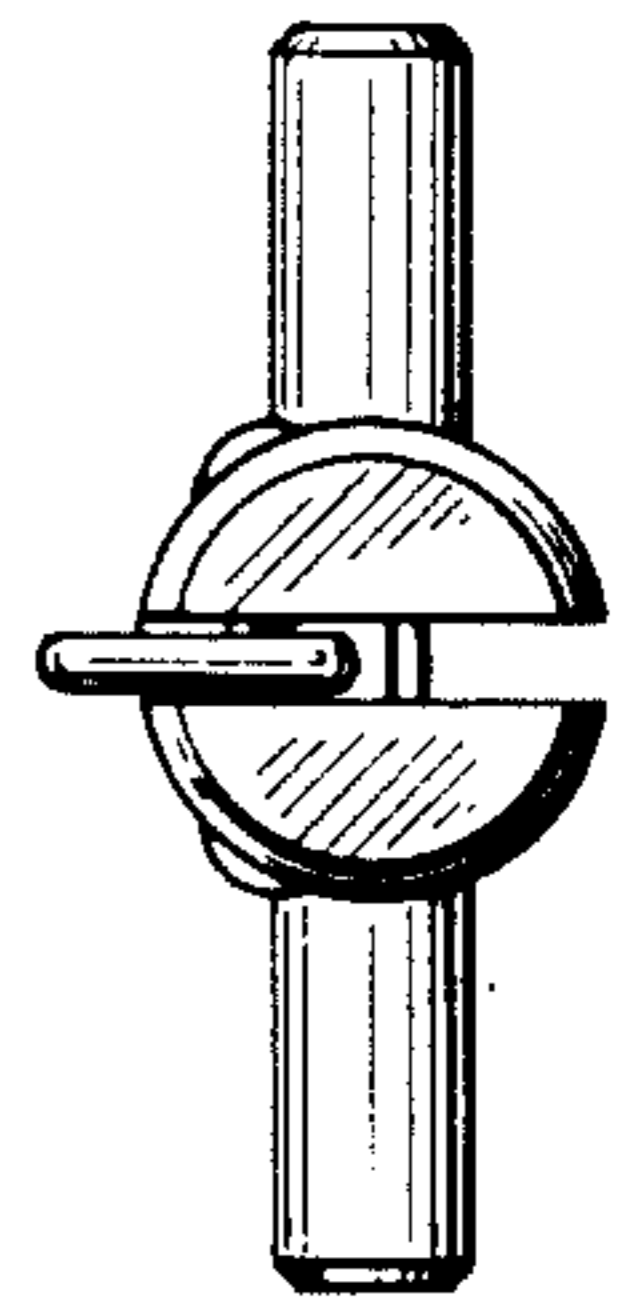


Fig. 5

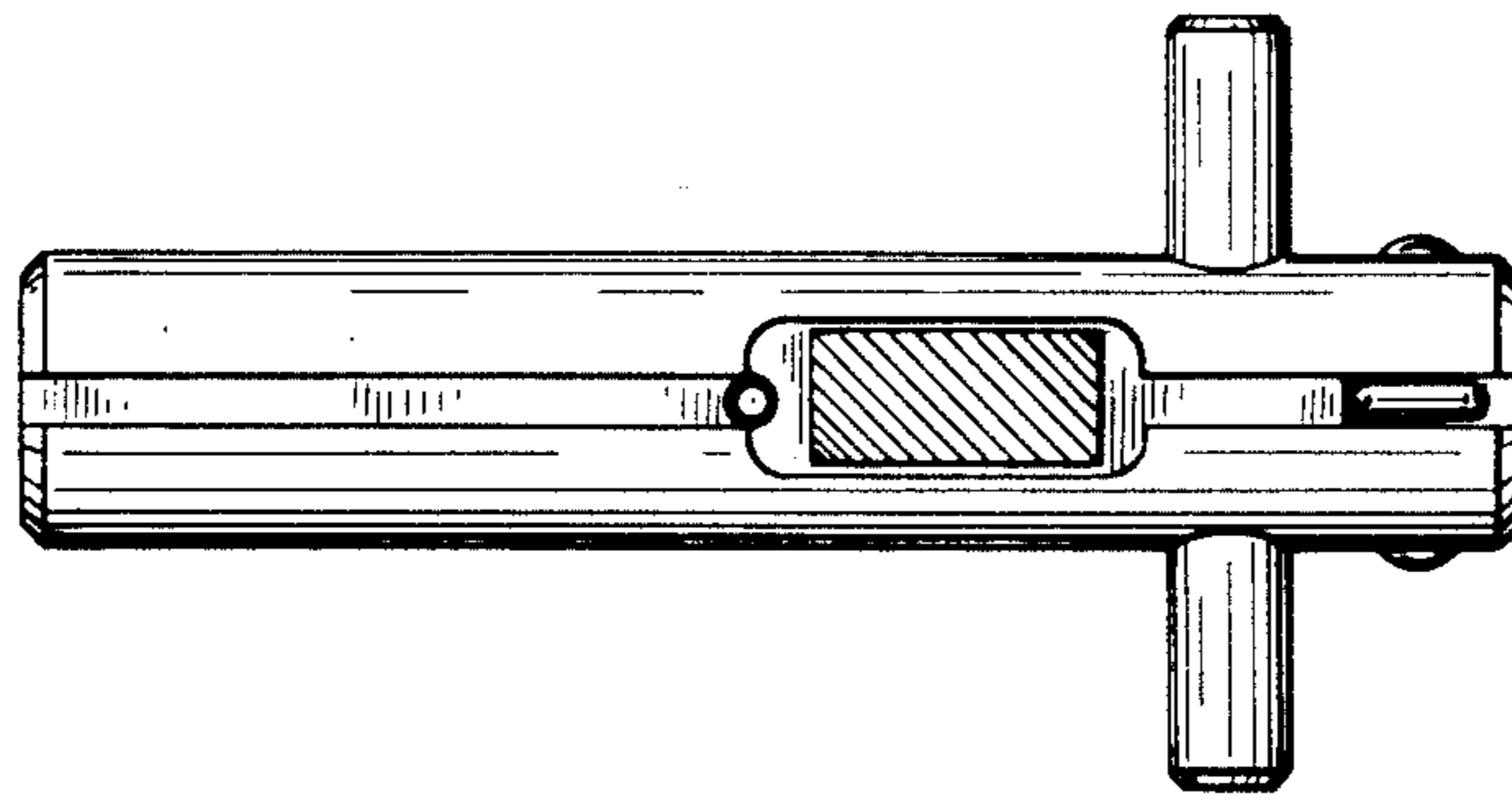


Fig. 2

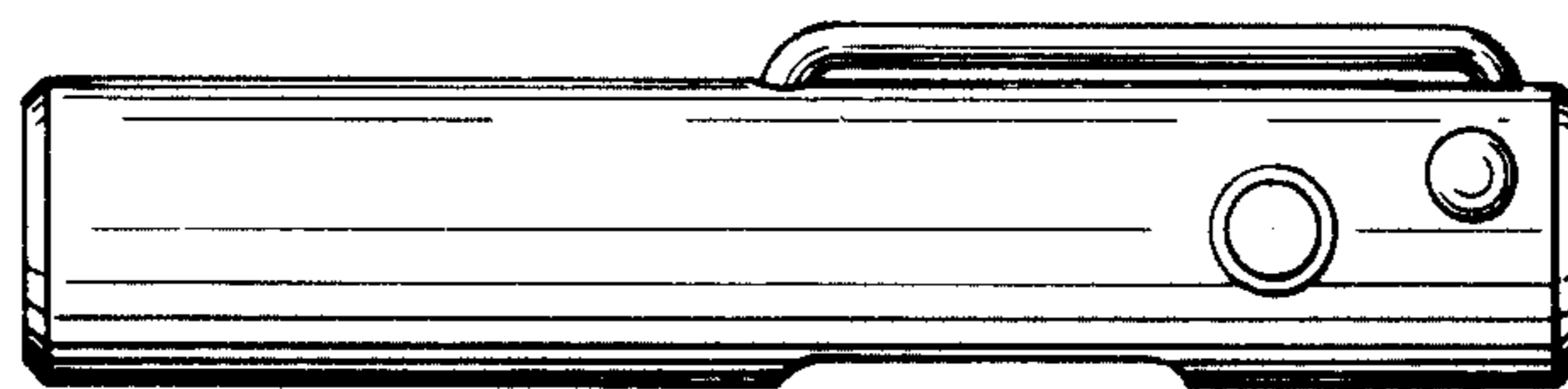


Fig. 3

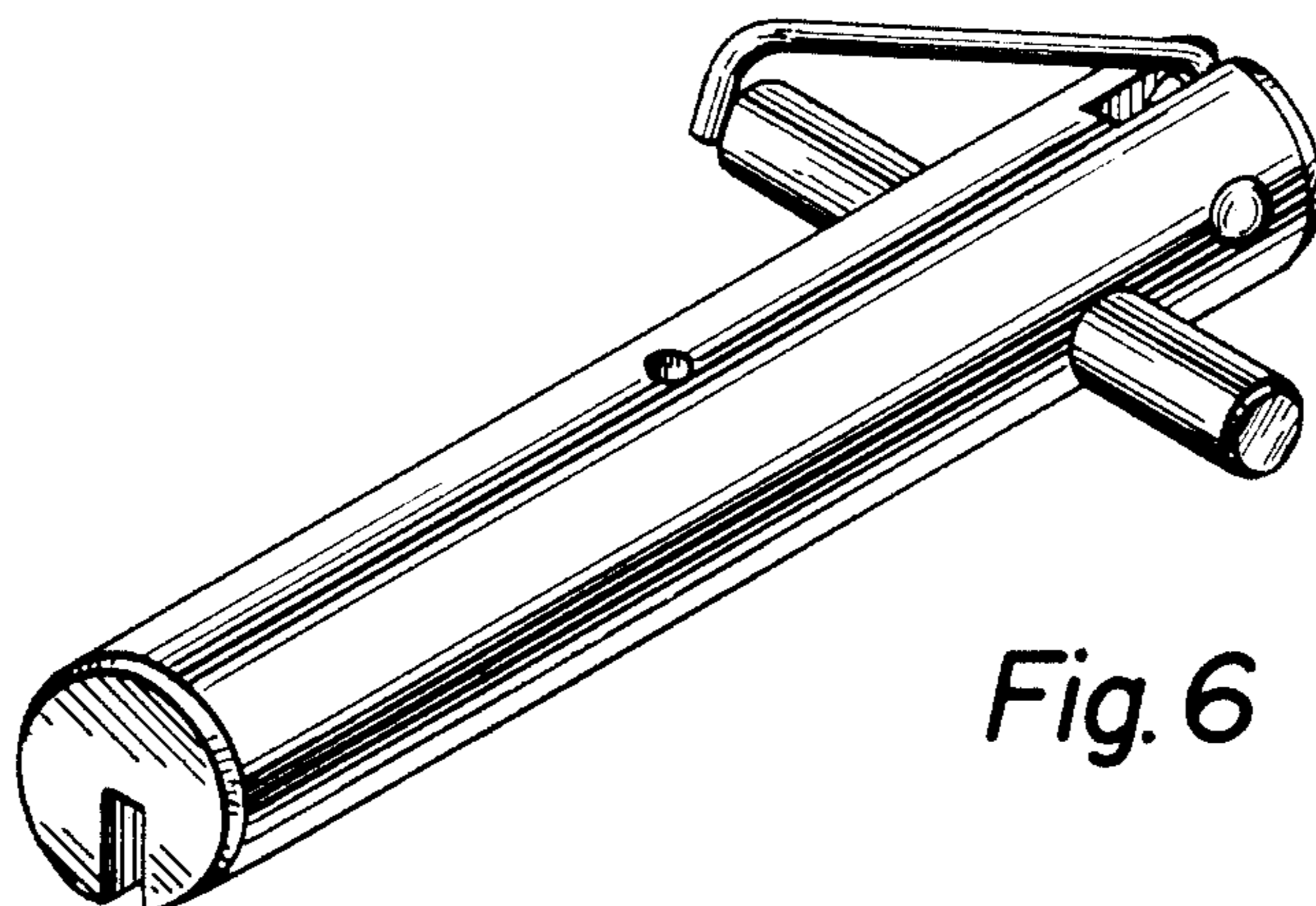


Fig. 6