

[54] FIREPLACE POKER

[75] Inventor: Howard A. Holleman, Bay Village, Ohio

[73] Assignee: Hydro Tube Corporation, Oberlin, Ohio

[**] Term: 14 Years

[21] Appl. No.: 714,819

[22] Filed: Aug. 16, 1976

[51] Int. Cl. D7-08

[52] U.S. Cl. D7/210

[58] Field of Search D7/206-213; 294/14

[56] References Cited

U.S. PATENT DOCUMENTS

D. 20,142	9/1890	Hoop	D7/210
2,286,387	6/1942	Smith	294/14
2,579,805	12/1951	Draeger	294/14

FOREIGN PATENT DOCUMENTS

338,376	2/1920	Germany	294/14
8,547 of	1909	United Kingdom	294/14

Primary Examiner—James R. Lergen
Attorney, Agent, or Firm—David A. Burge

[57] CLAIM

The ornamental design for a fireplace poker, as shown.

DESCRIPTION

FIG. 1 is a side elevational view of a fireplace poker showing my new design;
 FIG. 2 is an enlarged fragmentary side elevational view of the lower end thereof;
 FIG. 3 is a bottom plan view thereof;
 FIG. 4 is a fragmentary top plan view thereof;
 FIG. 5 is a fragmentary rear elevational view taken on the plane of line 5—5 of FIG. 1; and
 FIG. 6 is a fragmentary front elevational view taken on the plane of line 6—6 of FIG. 1.

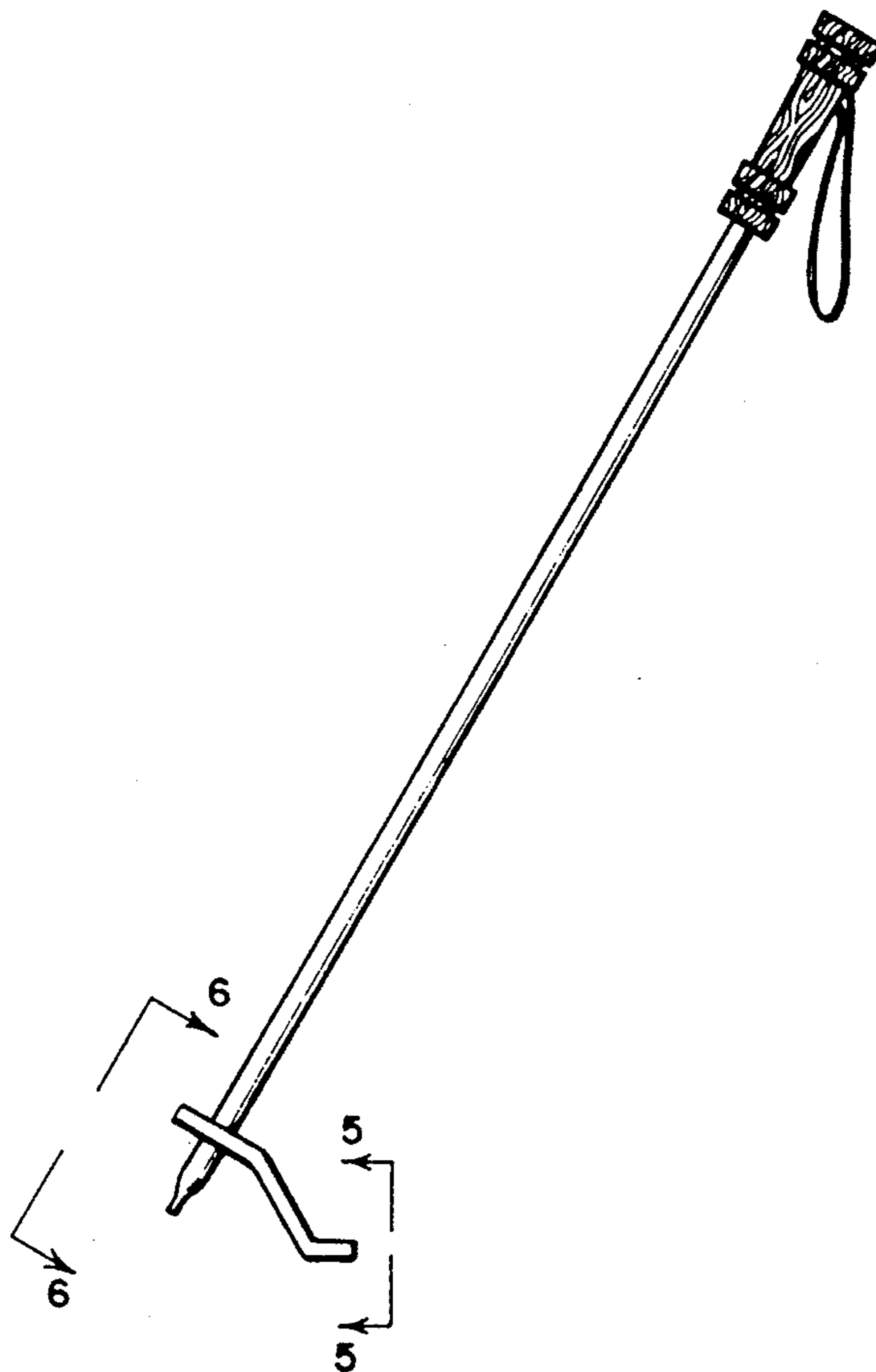


FIG. 1

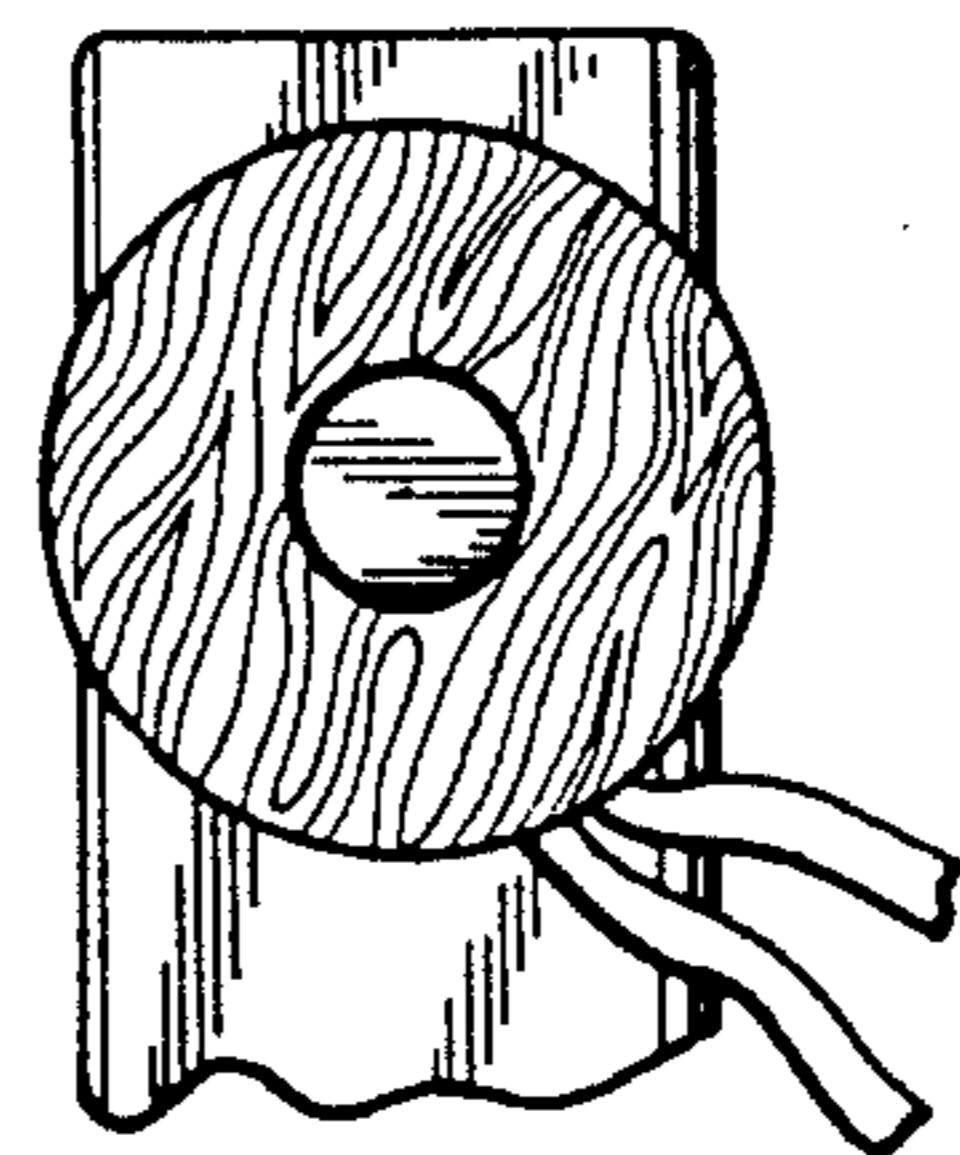
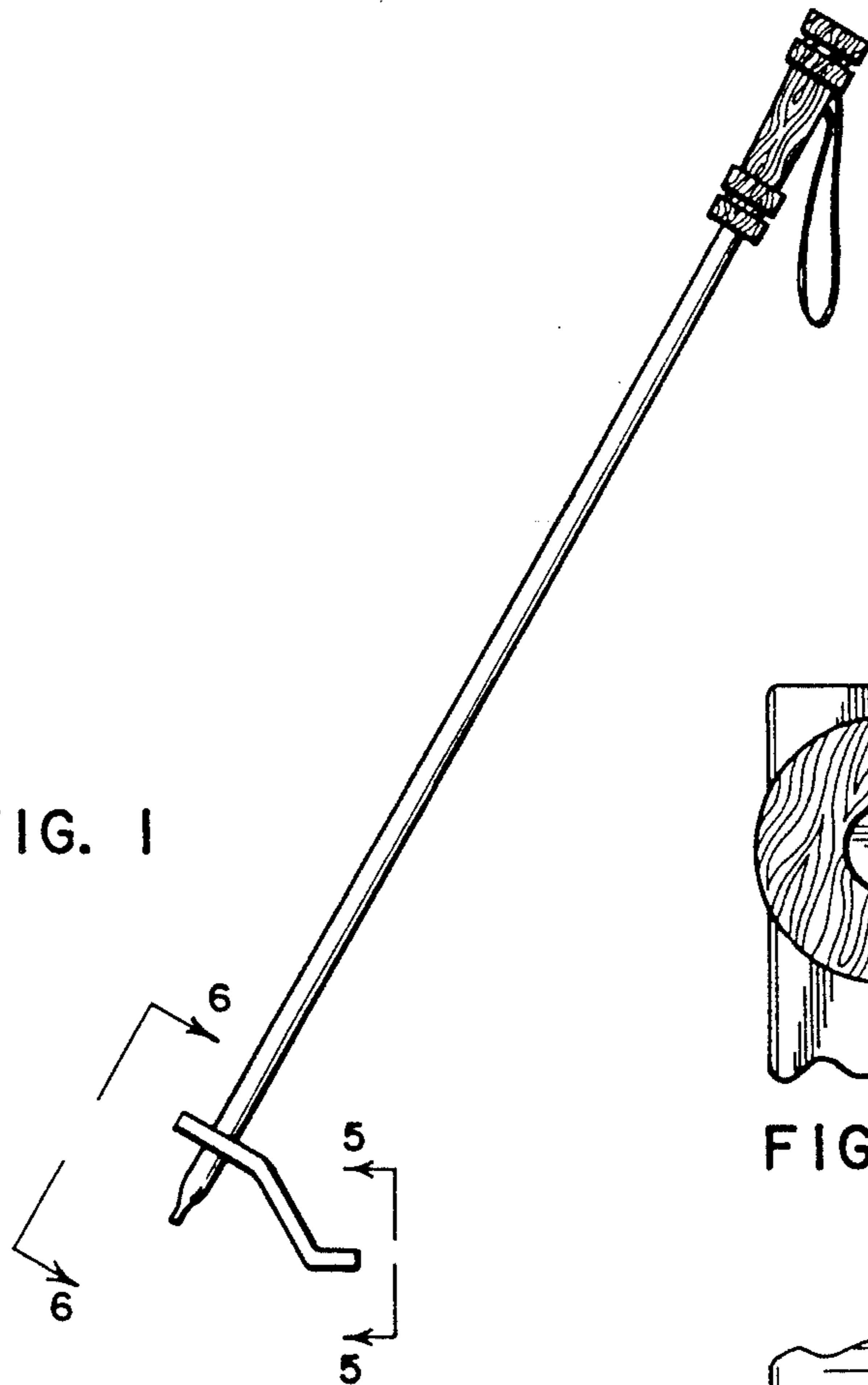


FIG. 4



FIG. 5

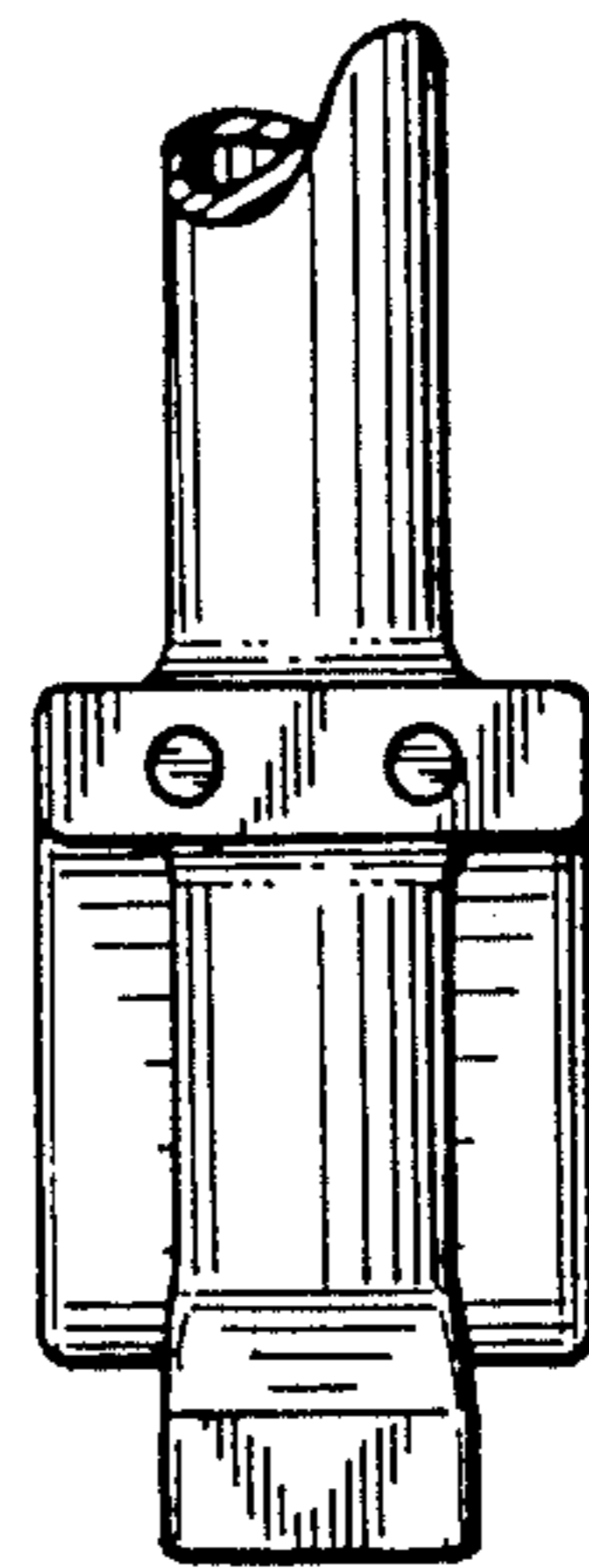


FIG. 6

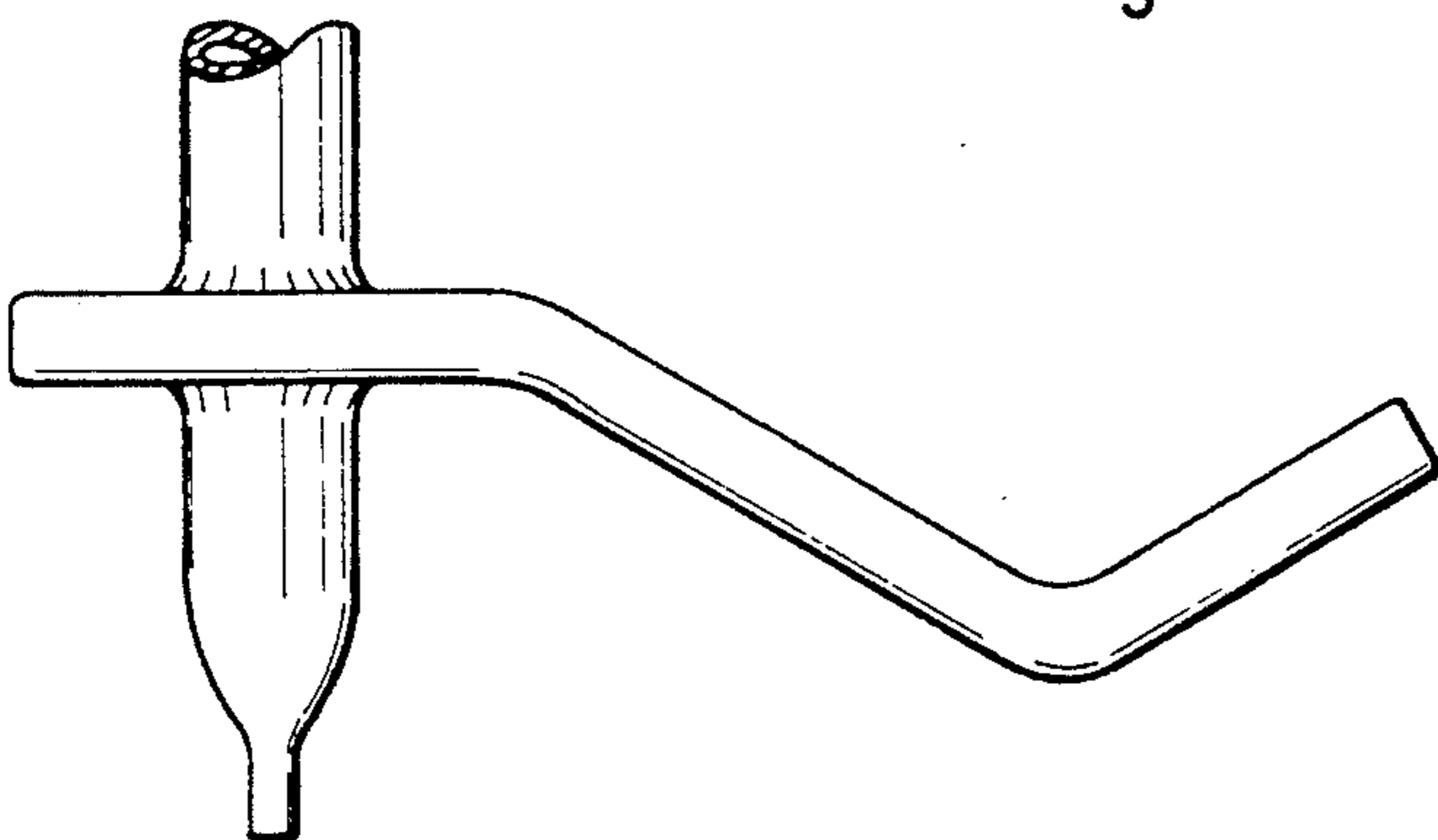


FIG. 2

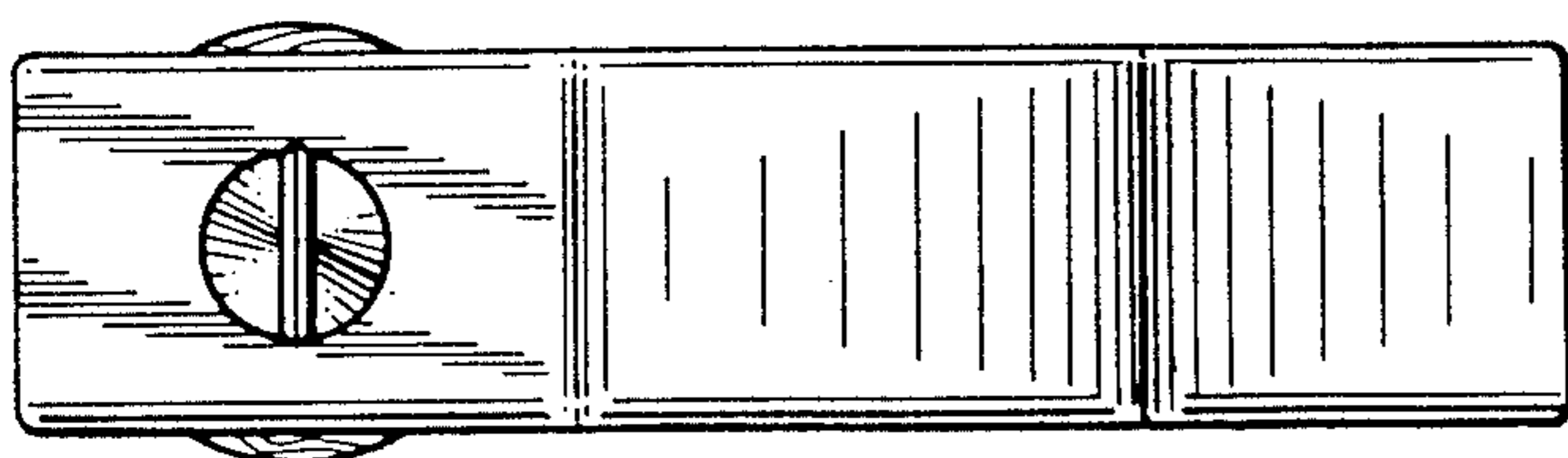


FIG. 3