

[54] CREAMER

D. 97,924 12/1935 Cowan D7/64

[75] Inventor: Don Schreckengost, East Liverpool, Ohio

[73] Assignee: The Salem China Company, Salem, Ohio

[**] Term: 14 Years

[21] Appl. No.: 730,151

[22] Filed: Oct. 7, 1976

[51] Int. Cl. D7-01

[52] U.S. Cl. D7/64

[58] Field of Search D7/60, 59, 64, 65, 3

[56] References Cited

U.S. PATENT DOCUMENTS

D. 40,601	4/1910	Sanford	D7/65
D. 43,854	4/1913	Sanford	D7/64
D. 57,273	3/1921	Sanford	D7/65

OTHER PUBLICATIONS

H. Barrow Co. Inc., Hotel and Ship Supplies, © 1947, p. 78, Room Service Creamer at top, 2nd from right. H. Barrow Co. Inc., Hotel and Ship Supplies, © 1947, p. 79, Colonial Hall Boy Jug, top right jug.

Primary Examiner—Winifred E. Herrmann
Attorney, Agent, or Firm—Webster B. Harpman

[57] CLAIM

The ornamental design for a creamer, as shown and described.

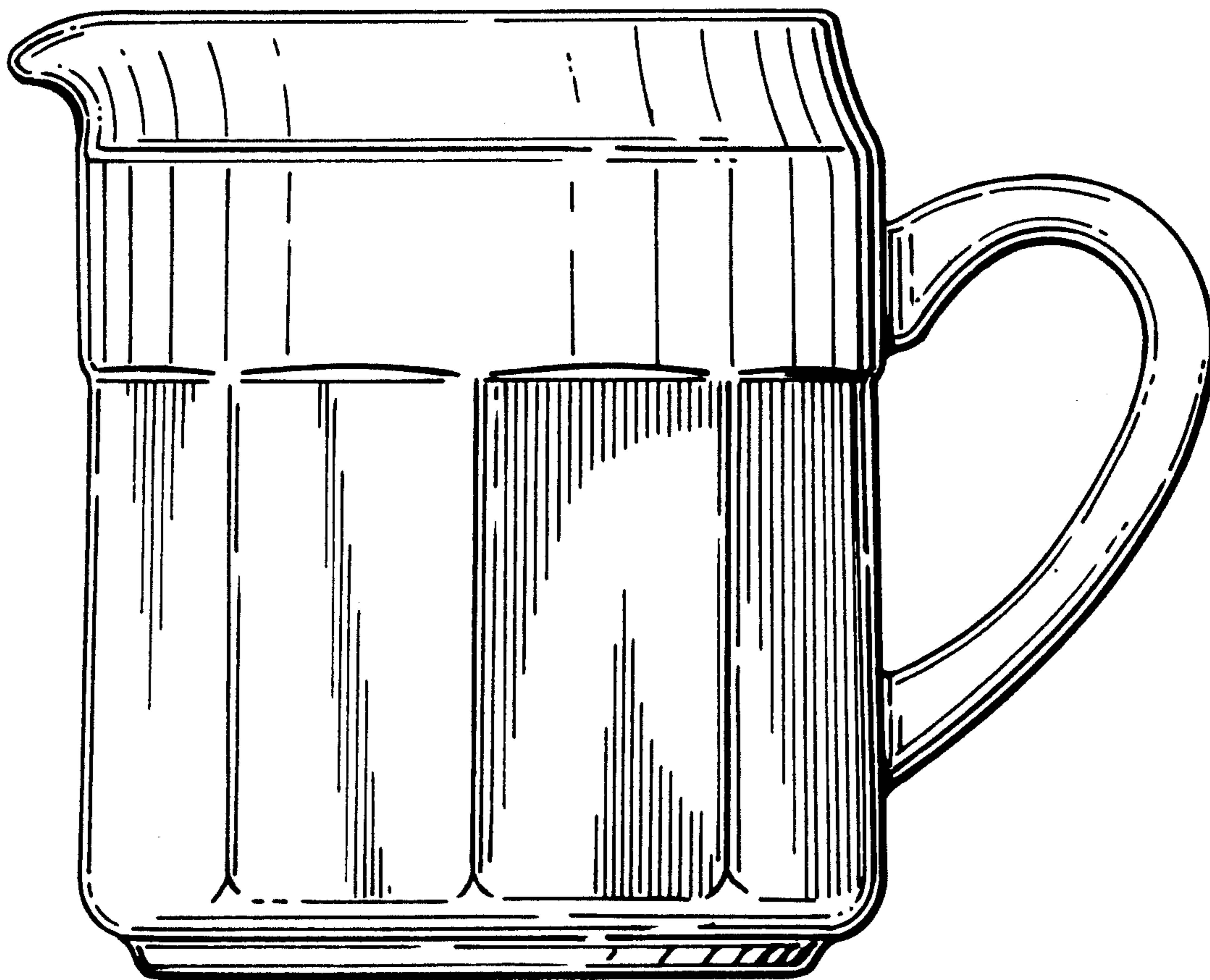
DESCRIPTION

FIG. 1 is a top plan view of a creamer showing my new design;

FIG. 2 is a side elevational view thereof; and

FIG. 3 is a bottom plan view thereof.

The side of the creamer not shown is a mirror image of the side illustrated.



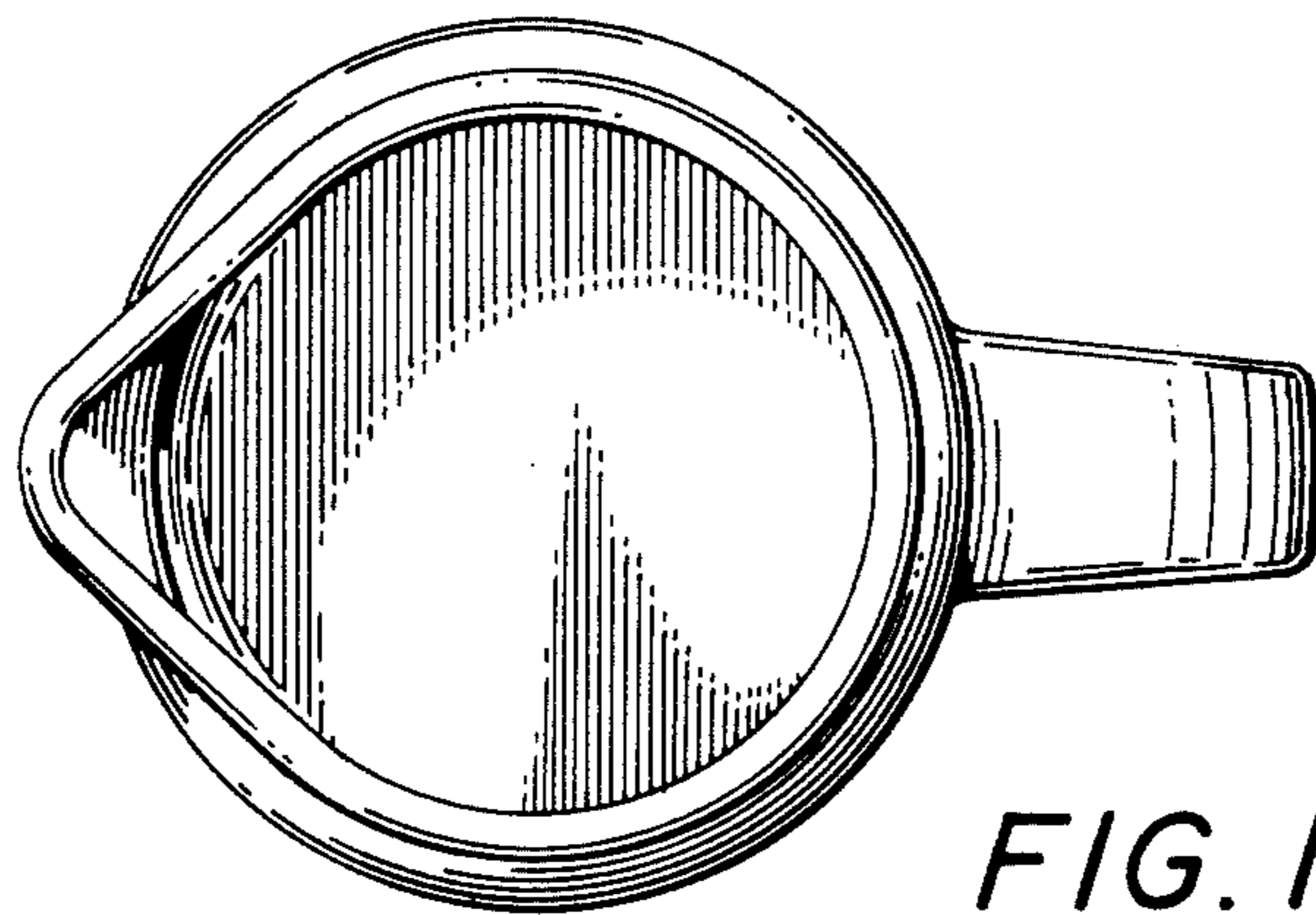


FIG. 1

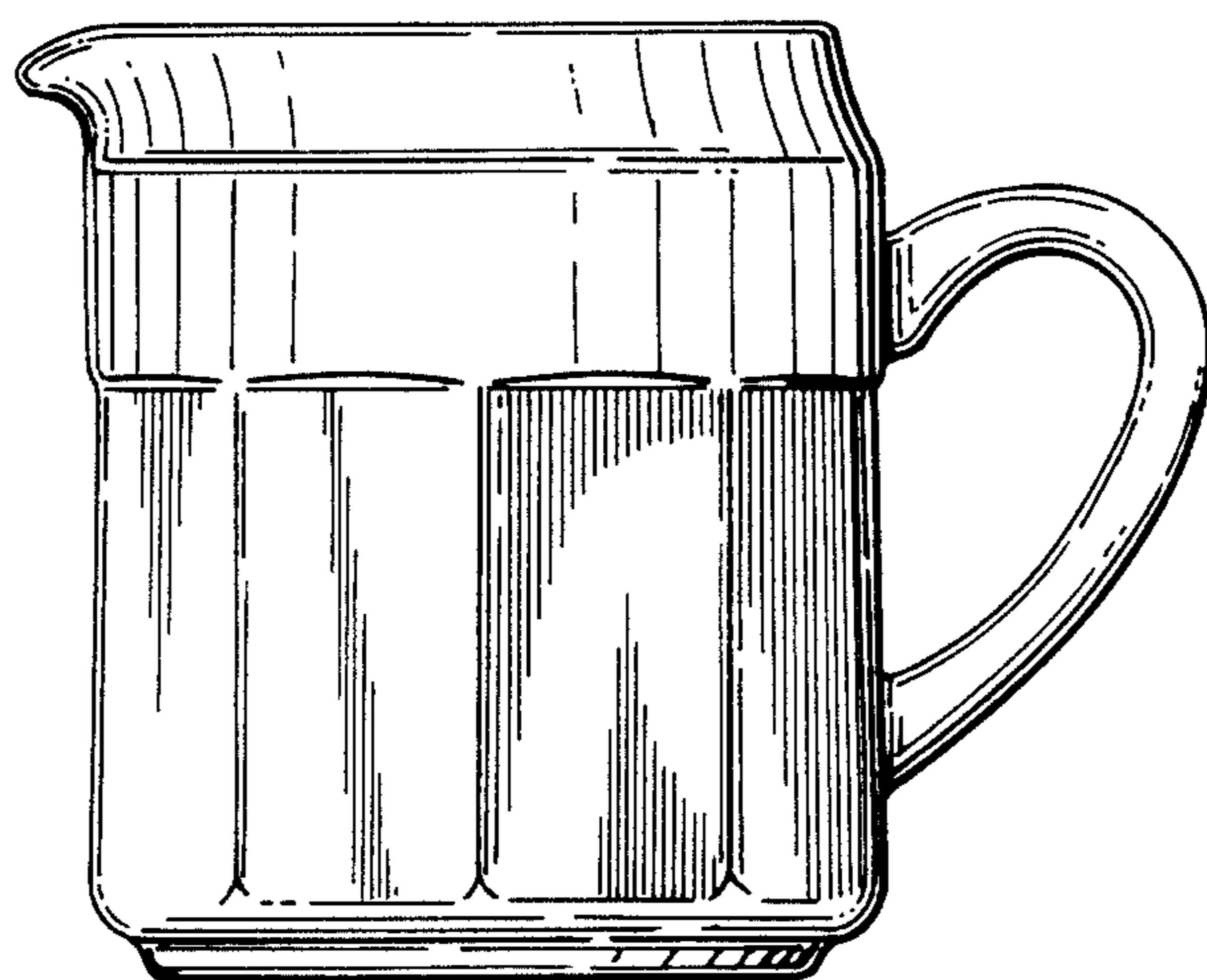


FIG. 2

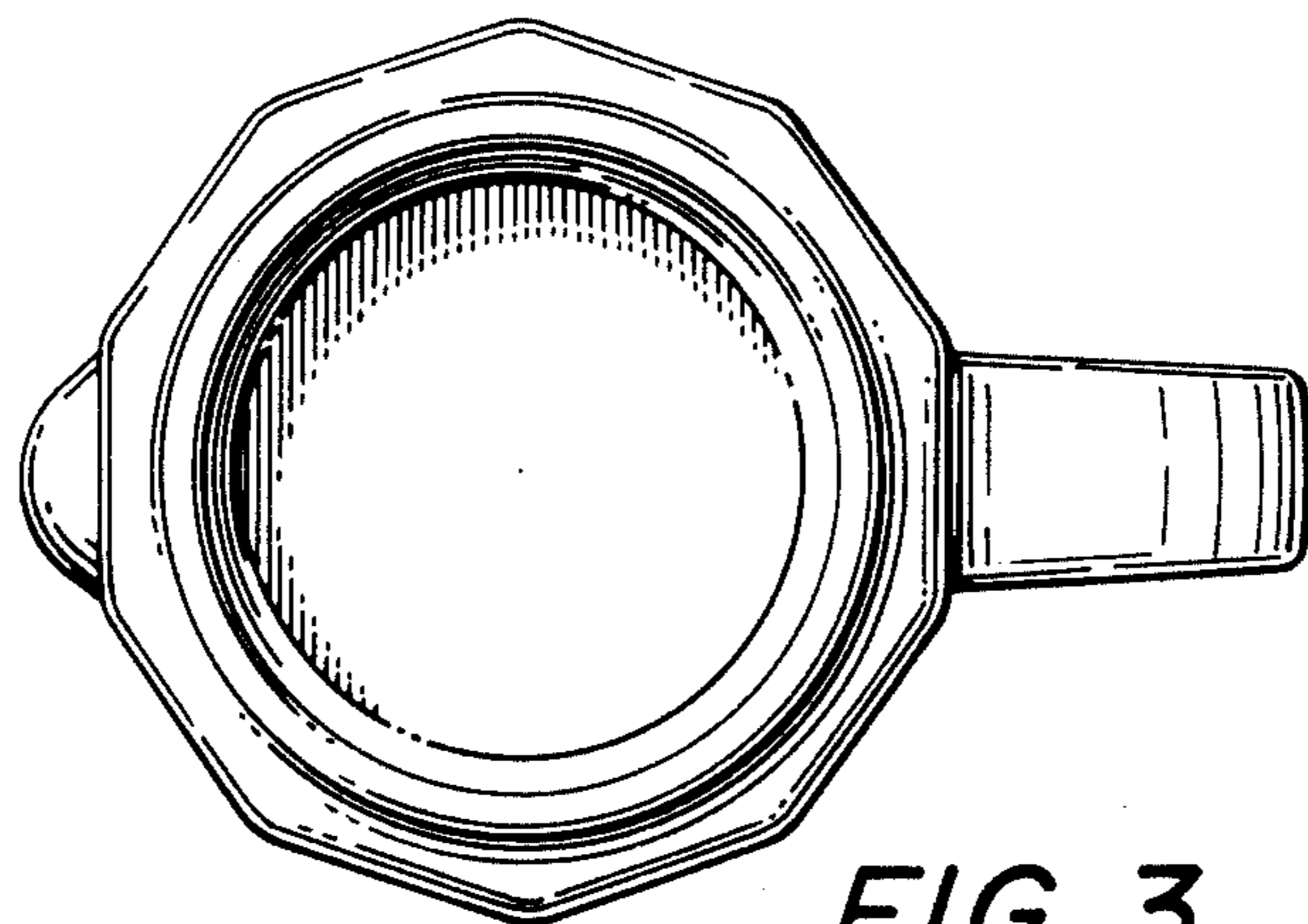


FIG. 3