

[54] REVOLVING TRAY FOR BREAKFAST CEREAL BOXES

[76] Inventor: Ernest Kelley, 20414 Warrington Dr., Detroit, Mich. 48221

[\*\*] Term: 14 Years

[21] Appl. No.: 749,460

[22] Filed: Dec. 10, 1976

[51] Int. Cl. .... D7-01; D7-99

[52] U.S. Cl. .... D7/2; D7/27; D7/38

[58] Field of Search ..... D7/1, 2, 3, 23, 27, D7/37, 38, 96, 122, 130, 81; D9/184, 185

[56] References Cited

U.S. PATENT DOCUMENTS

D. 90,991	11/1933	Meier .....	D7/20
D. 112,347	11/1938	Nesbitt .....	D7/83 X
D. 168,161	11/1952	Kyte .....	D7/27
777,492	12/1904	Bruebach .....	D7/2 X
1,761,483	6/1930	McGinnis .....	D7/27 X
3,504,832	4/1970	Corvetti .....	D7/20 X

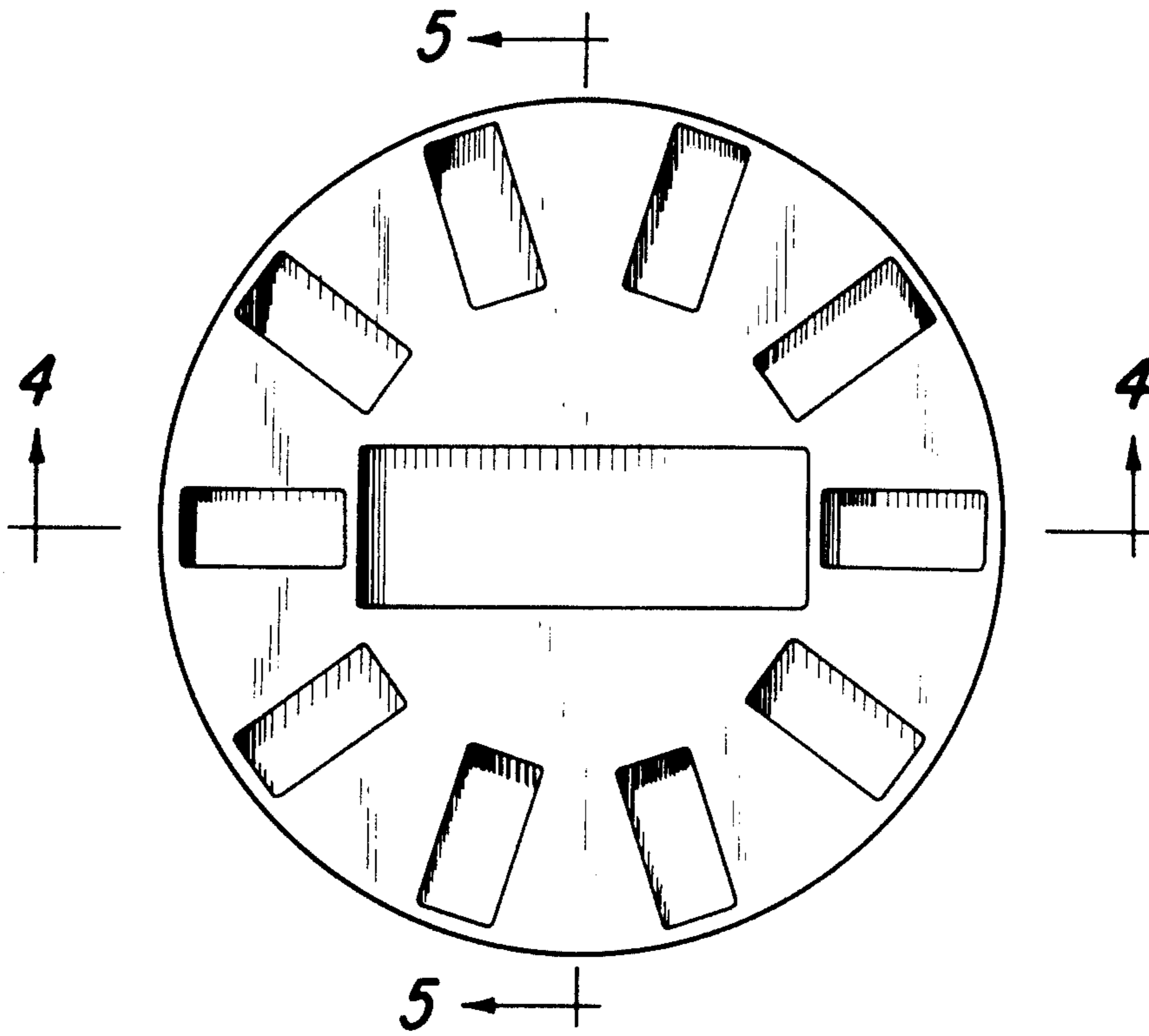
Primary Examiner—Winifred E. Herrmann  
Attorney, Agent, or Firm—Allen M. Krass

[57] CLAIM

The ornamental design for a revolving tray for breakfast cereal boxes, as shown and described.

DESCRIPTION

FIG. 1 is a top plan view of a revolving tray for breakfast cereal boxes showing my new design;  
 FIG. 2 is a front or rear elevational view thereof with the revolving base omitted therefrom;  
 FIG. 3 is a side elevational view thereof with the revolving base omitted therefrom;  
 FIG. 4 is a cross-sectional view thereof taken on line 4-4 of FIG. 1 with the revolving base omitted therefrom;  
 FIG. 5 is a cross-sectional view thereof taken on line 5-5 of FIG. 1 with the revolving base omitted therefrom;  
 FIG. 6 is a bottom plan view thereof with the revolving base omitted for convenience of illustration;  
 FIG. 7 is an elevational view thereof; and  
 FIG. 8 is a bottom plan view thereof.



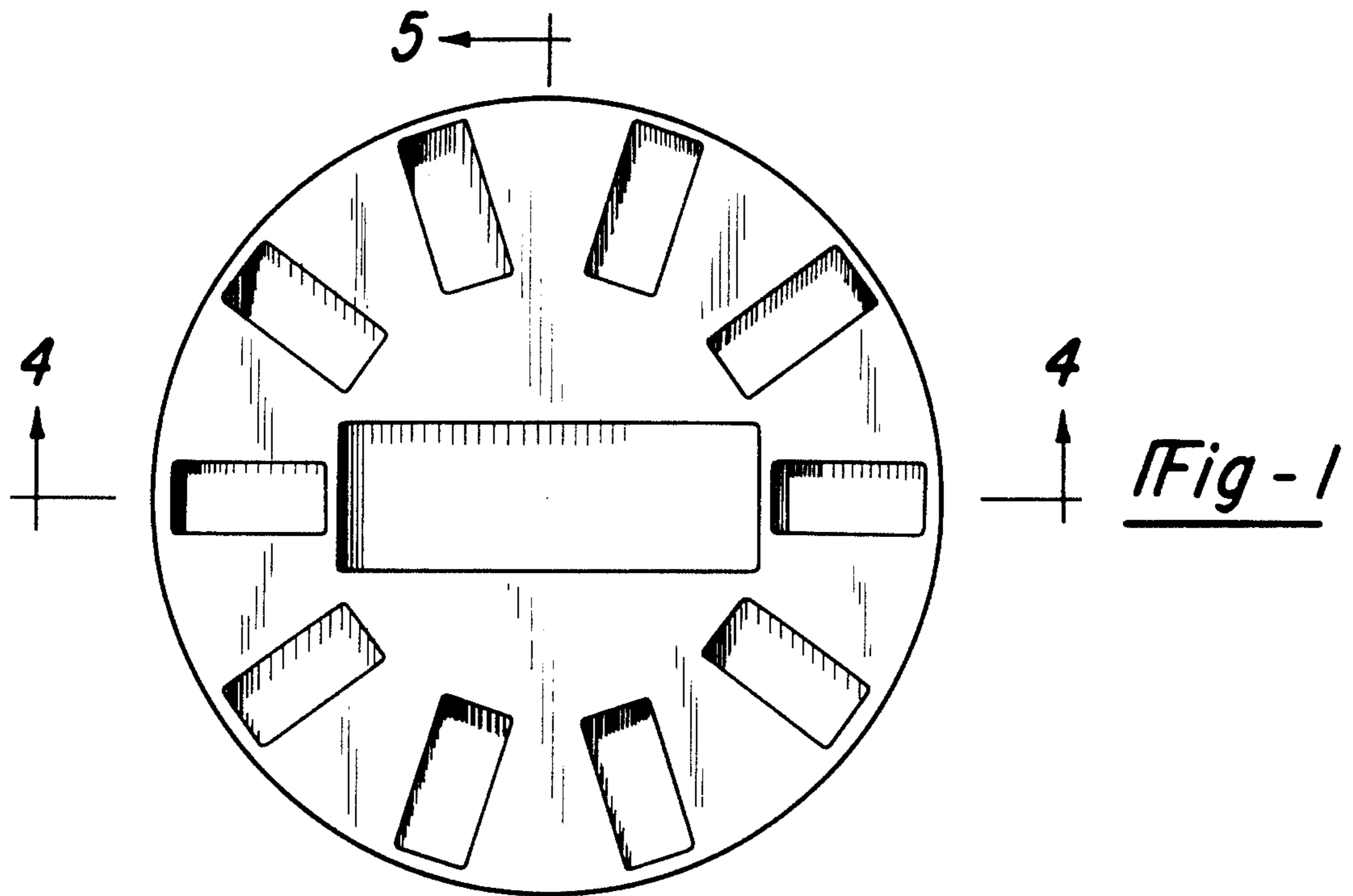


Fig-1

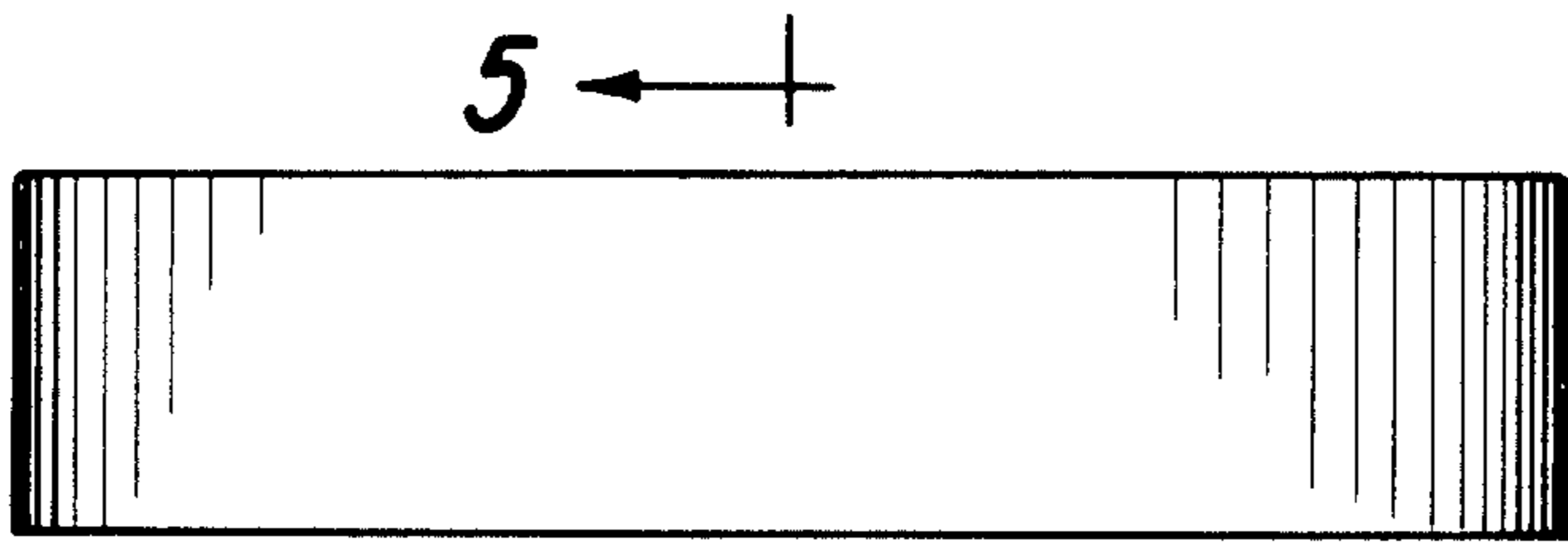


Fig-2

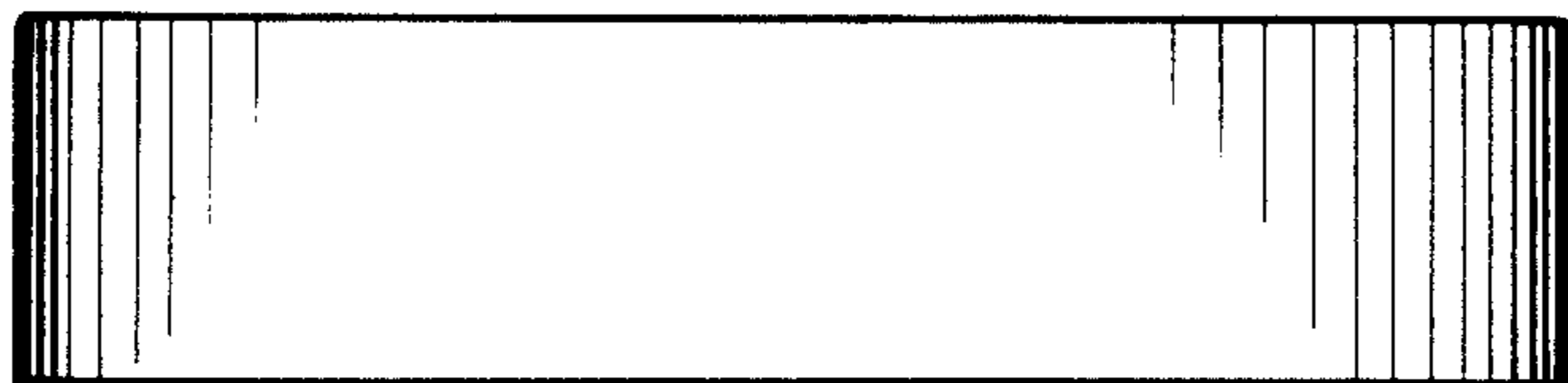


Fig-3

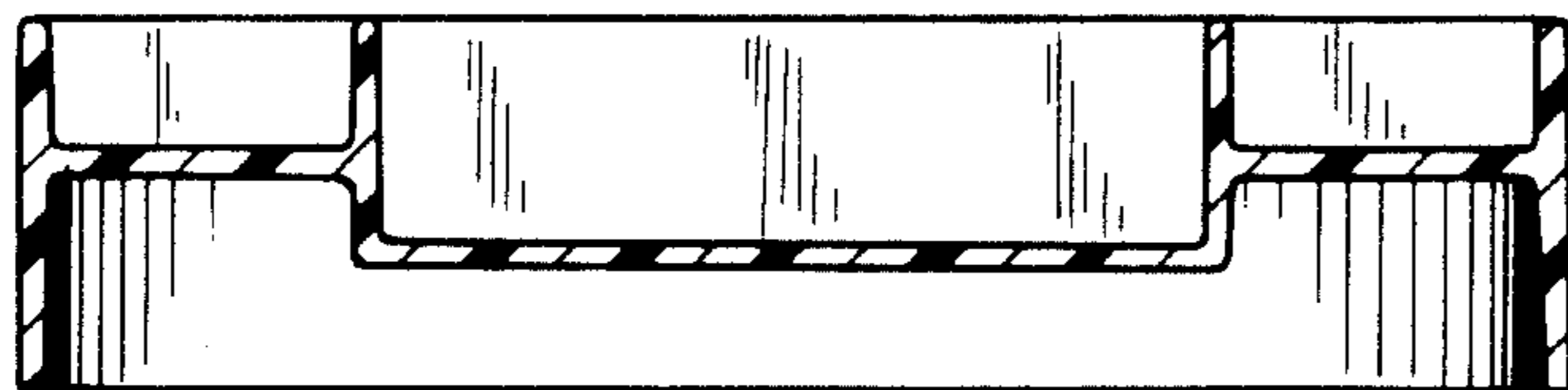


Fig-4

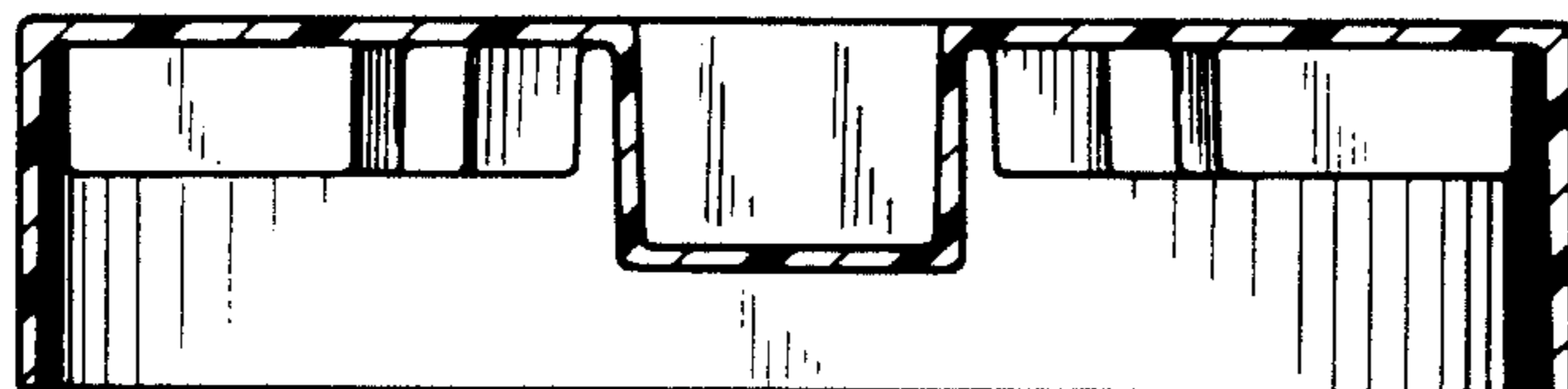


Fig-5

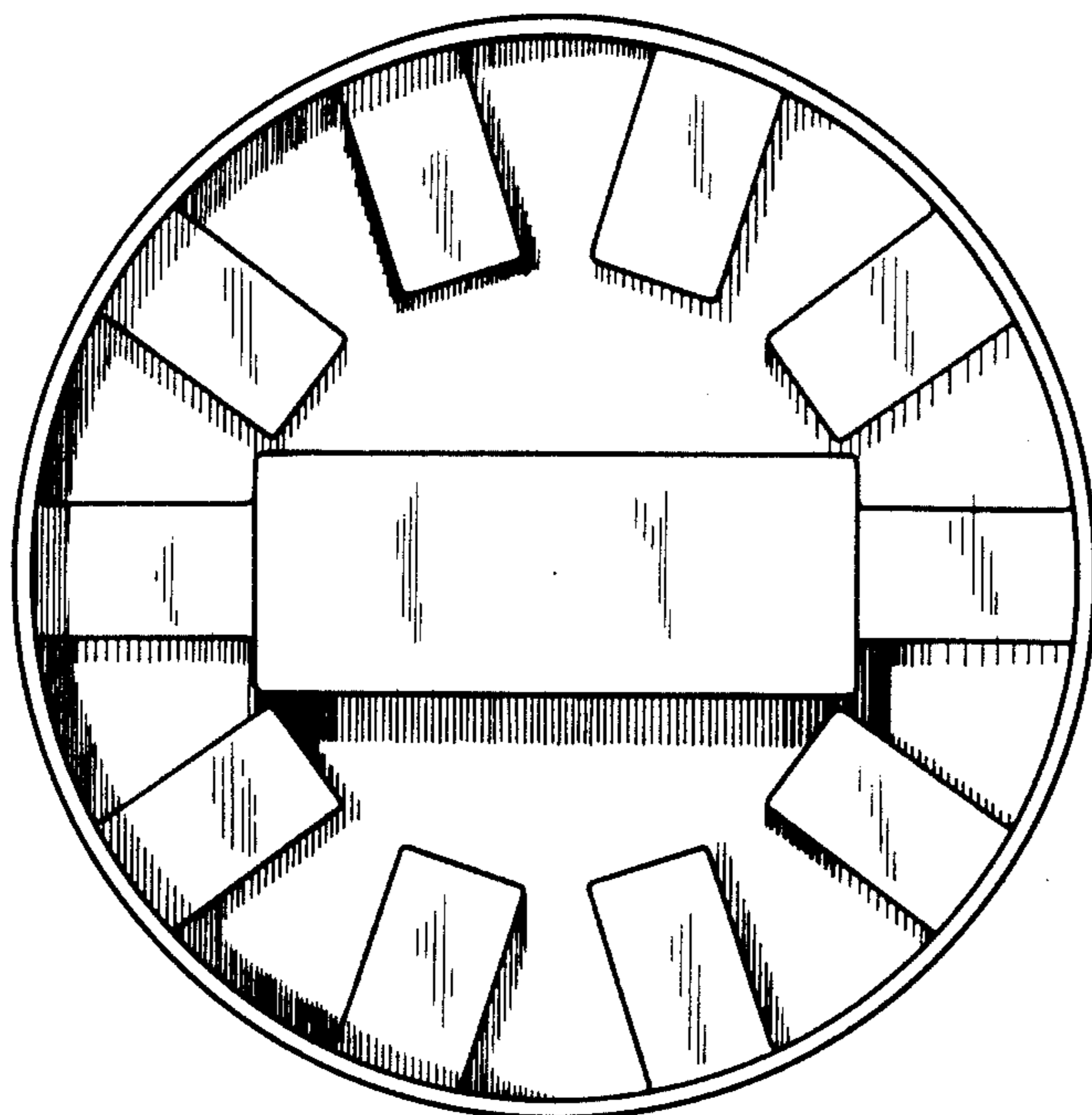


Fig-6

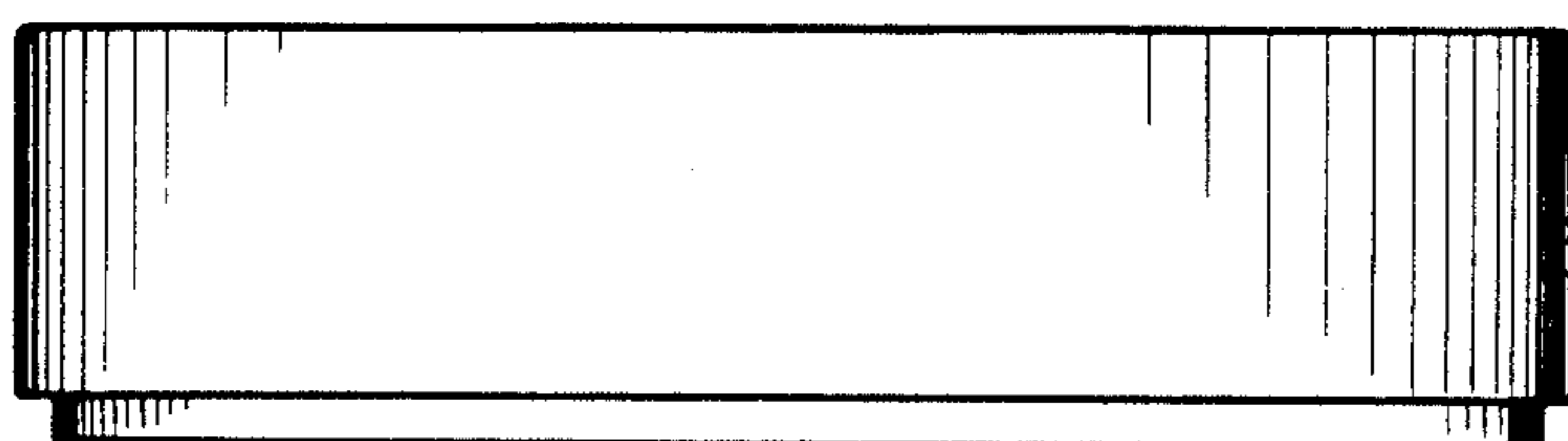


Fig-7

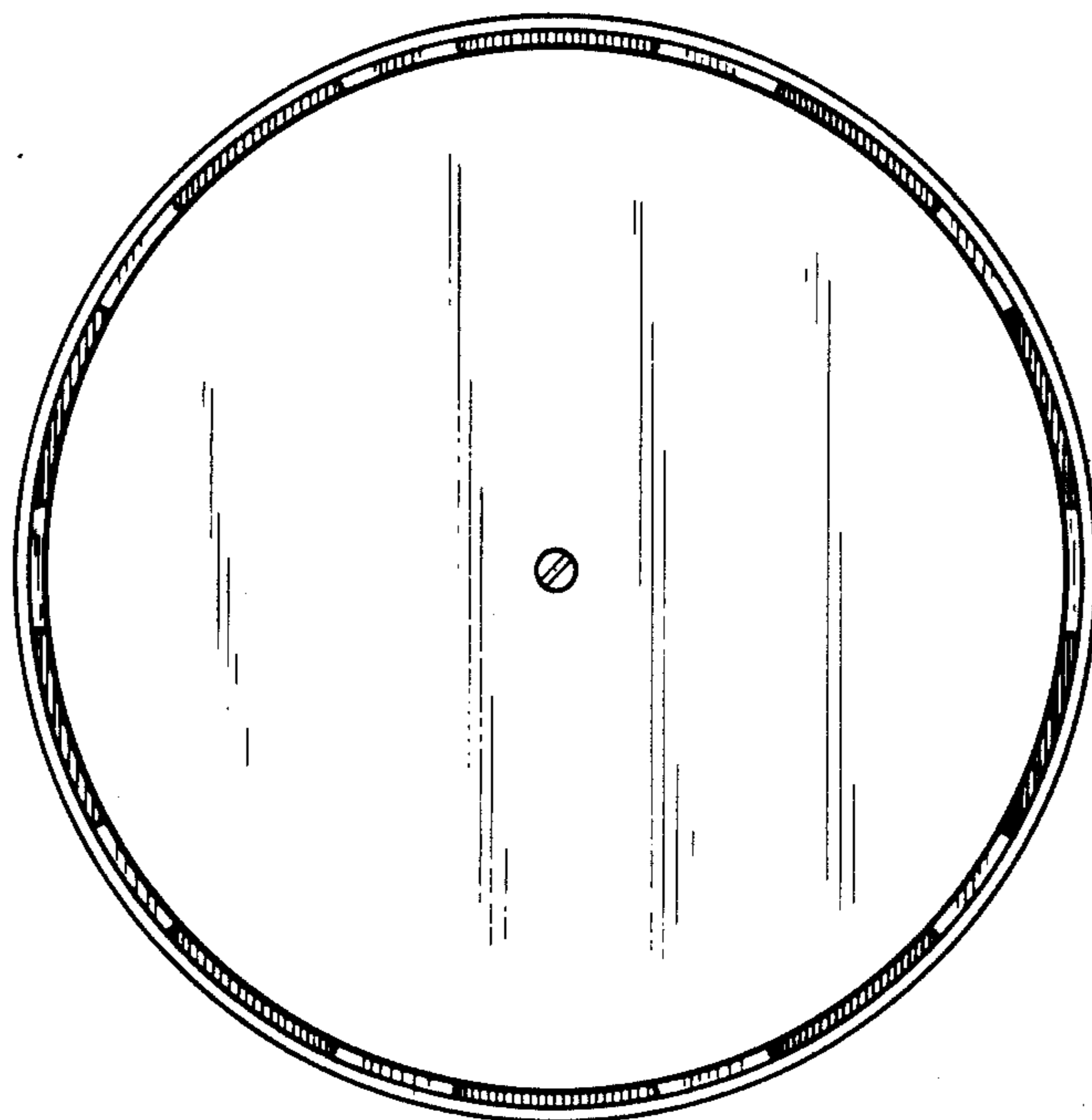


Fig-8