

[54] **PLANTER**

- [75] Inventor: **William Donald Gordon, Sr.,**
Glenview, Ill.
- [73] Assignee: **Arvey Corporation,** Chicago, Ill.
- [**] Term: **14 Years**
- [21] Appl. No.: **757,465**
- [22] Filed: **Jan. 7, 1977**
- [51] Int. Cl. **D6—06; D11—02**
- [52] U.S. Cl. **D6/113; D11/148;**
D11/149; D11/155; D30/3
- [58] Field of Search **D6/20, 28, 85, 87, 93,**
D6/113, 134, 132, 135, 137, 179, 182, 186;
D11/143, 148, 149, 152, 155; D30/3; 47/37, 66,
67, 70, 72; 211/74, 75, 113, 115, 117, 118;
248/317, 318, 339

[56] **References Cited**

U.S. PATENT DOCUMENTS

- D. 170,833 10/1953 **Rebora** D30/3
D. 232,282 8/1974 **Wagschal** D6/113

OTHER PUBLICATIONS

Best and Co. 1976 Cat., p. 167, bird house H.
Best and Co. 1976 Cat., p. 167, greenhouse G.
Zenco Quality Products Cat. © 1954, p. 55, birdhouse
PK 845.

Primary Examiner—Wallace R. Burke
Assistant Examiner—B. J. Bullock
Attorney, Agent, or Firm—Max Dressler

[57] **CLAIM**

The ornamental design for a planter, substantially as
shown and described.

DESCRIPTION

FIG. 1 is a reduced perspective view of a planter show-
ing my new design.
FIG. 2 is a side elevational view taken from the right of
FIG. 1;
FIG. 3 is a side elevational view taken from the left of
FIG. 1;
FIG. 4 is a top plan view. The bottom is unornamented.
The supporting cord has been omitted in FIGS. 2
through 4 for ease of illustration.

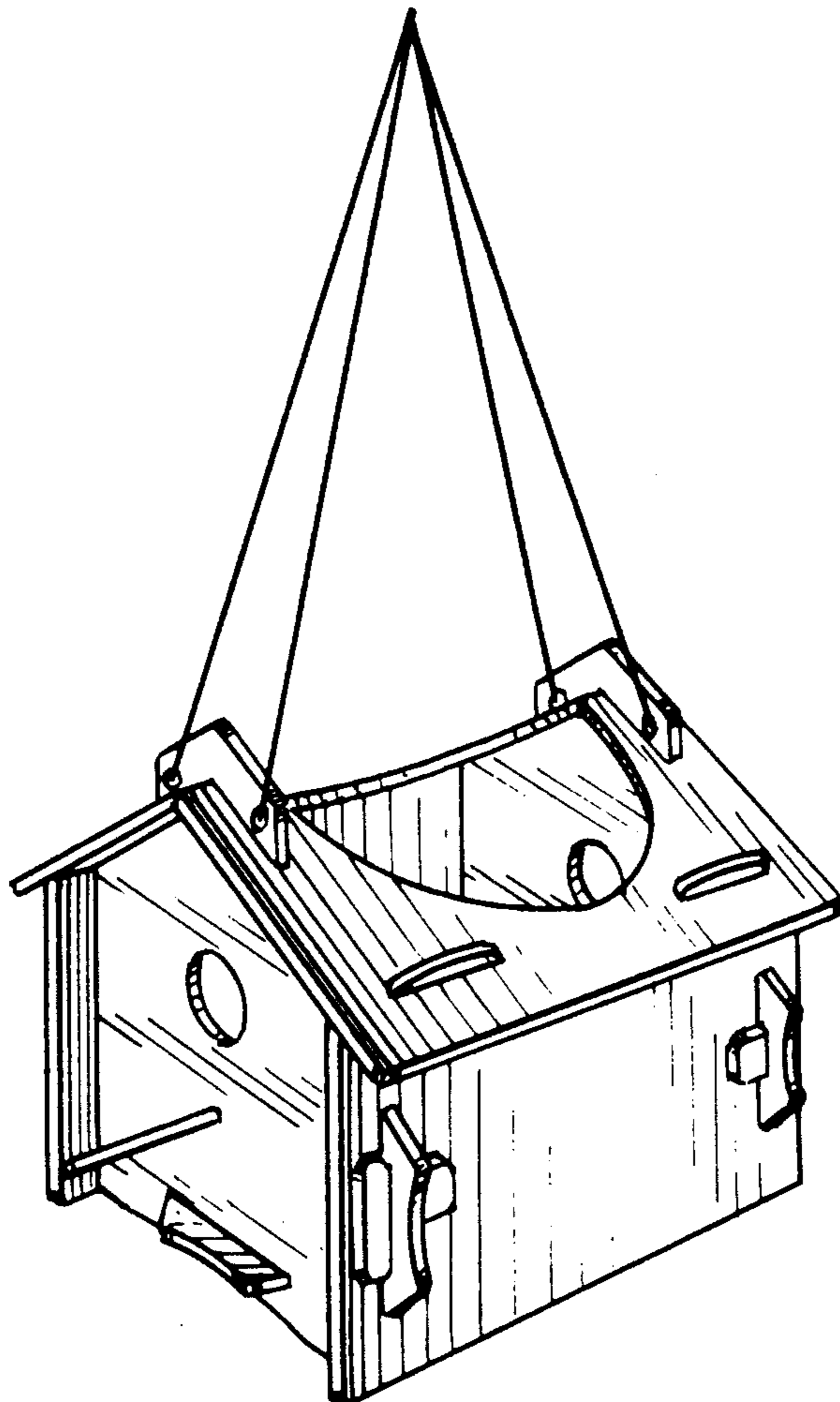


Fig. 1.

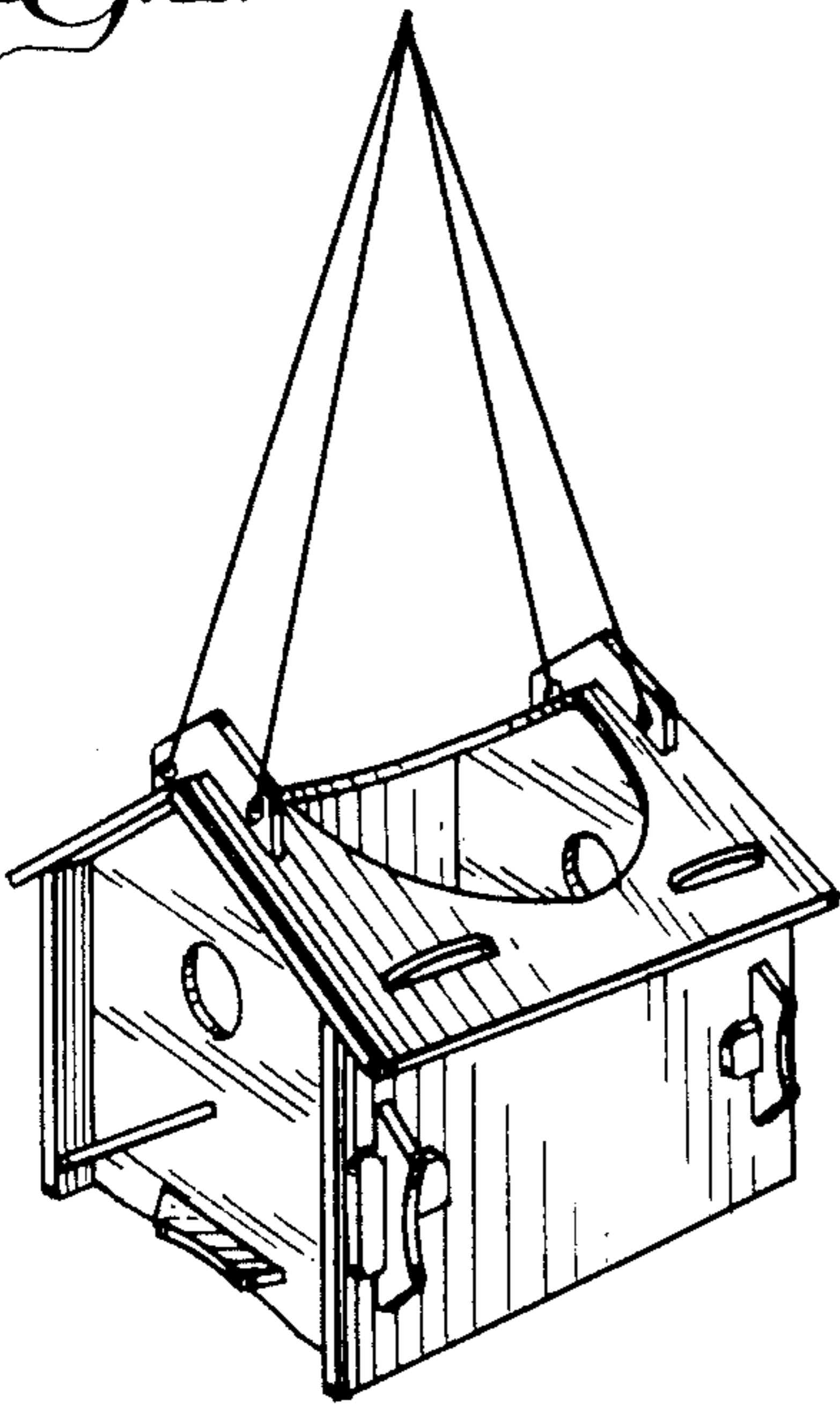


Fig. 2.

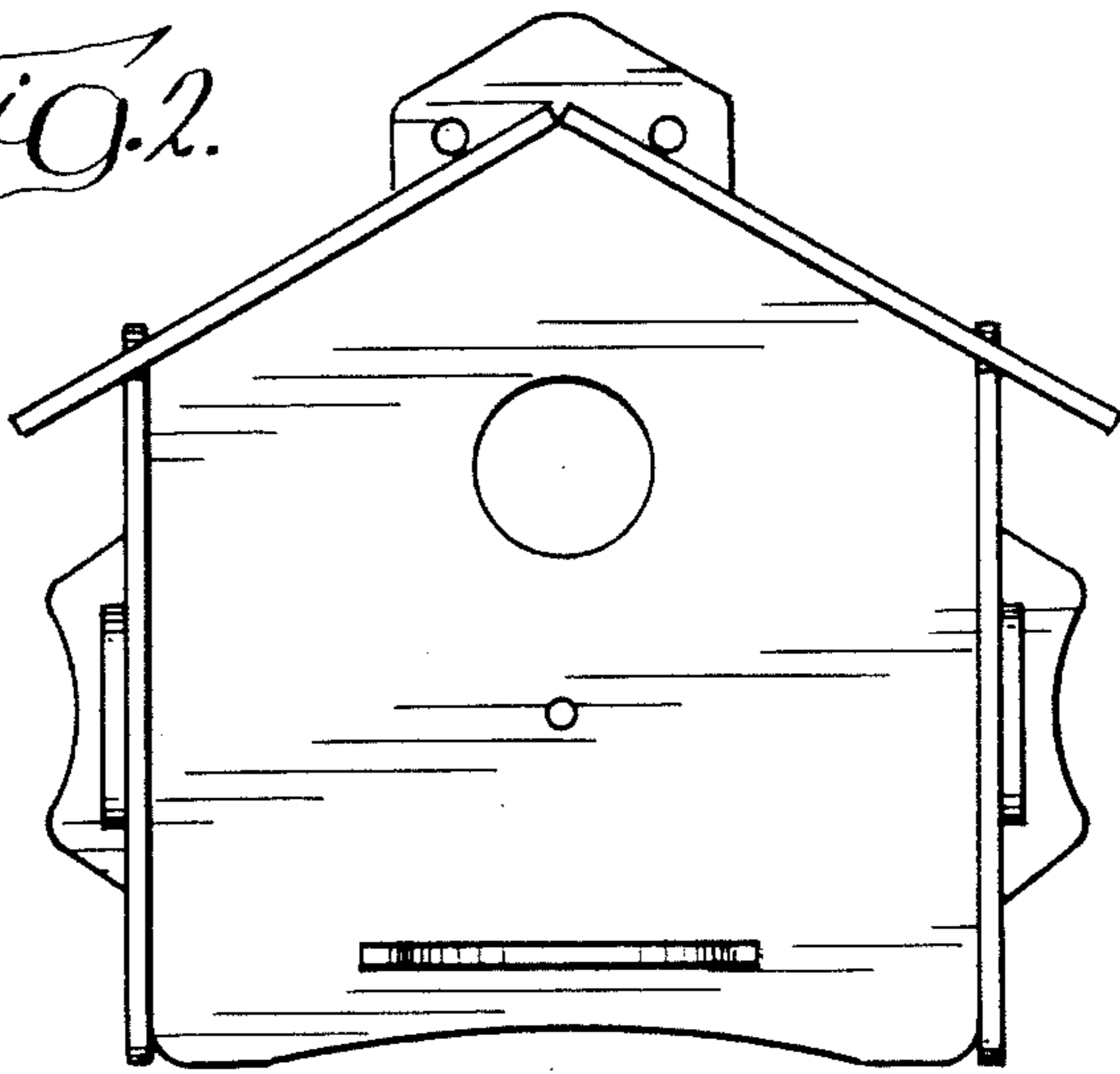


Fig. 3.

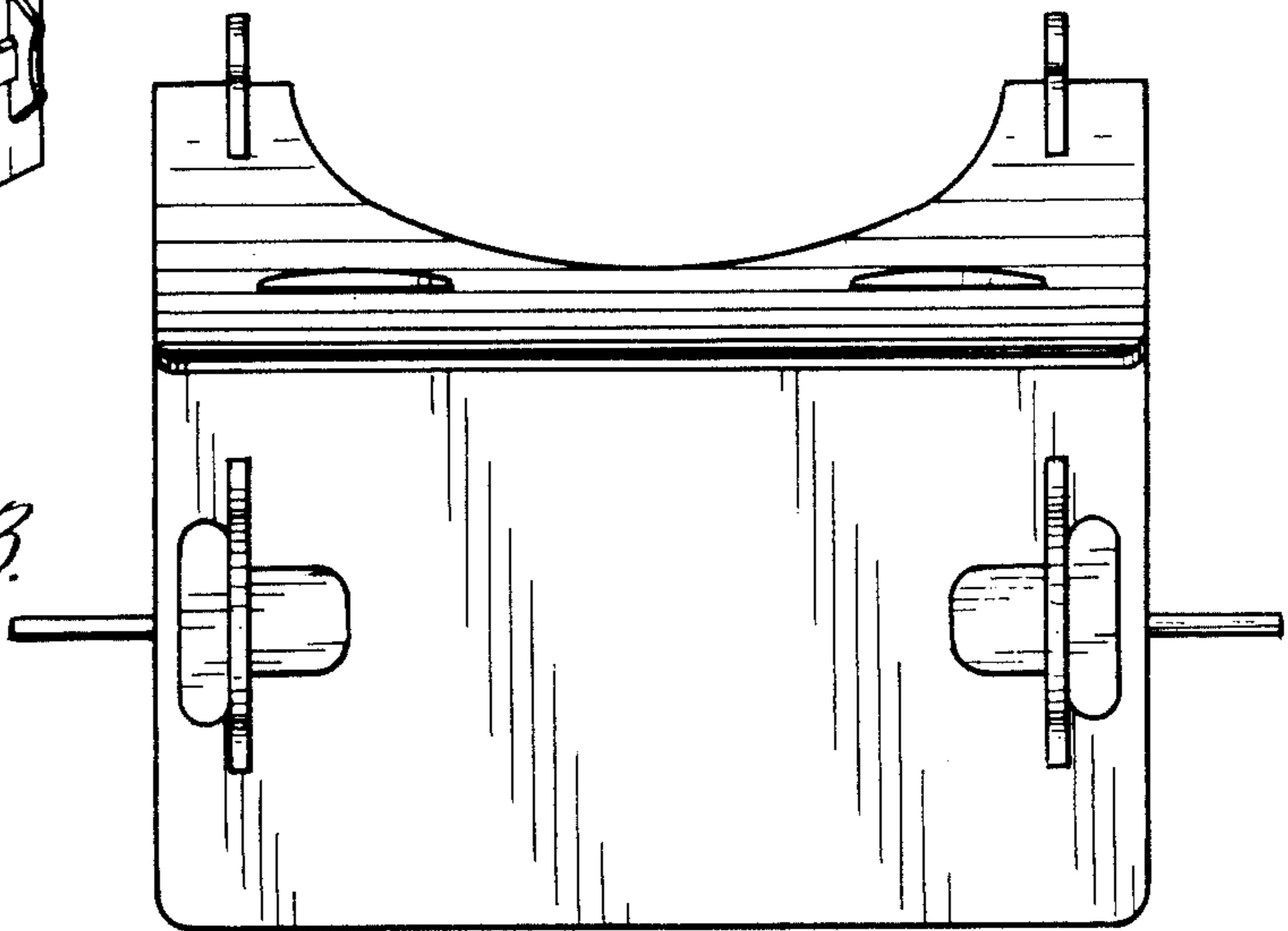


Fig. 4.

