

[54] PLANTER

[75] Inventor: William Donald Gordon, Sr.,
Glenview, Ill.

[73] Assignee: Arvey Corporation, Chicago, Ill.

[**] Term: 14 Years

[21] Appl. No.: 757,463

[22] Filed: Jan. 7, 1977

[51] Int. Cl. D6—06; D11—02

[52] U.S. Cl. D6/113; D11/148;
D11/155

[58] Field of Search D6/20, 28, 85, 87, 93,
D6/113, 132, 134, 135, 137, 179, 182, 186;
D11/143, 148, 149, 152, 155; 47/37, 66, 67, 70,
72; 211/74, 75, 113, 115, 117, 118; 248/317,
318, 339

[56] References Cited

FOREIGN PATENT DOCUMENTS

180,756 6/1954 Austria D11/143

OTHER PUBLICATIONS

Best & Co. Catalog, 1976, p. 164, planter G.

Primary Examiner—Wallace R. Burke

Assistant Examiner—B. J. Bullock

Attorney, Agent, or Firm—Max Dressler

[57] CLAIM

The ornamental design for a planter, substantially as shown and described.

DESCRIPTION

FIG. 1 is a reduced perspective view of a planter showing my new design;

FIG. 2 is a side elevational view taken from the right of FIG. 1;

FIG. 3 is a side elevational view taken from the left of FIG. 1;

FIG. 4 is a top plan view. The bottom is unornamented. The supporting cord has been omitted in FIGS. 2 through 4 for ease of illustration.

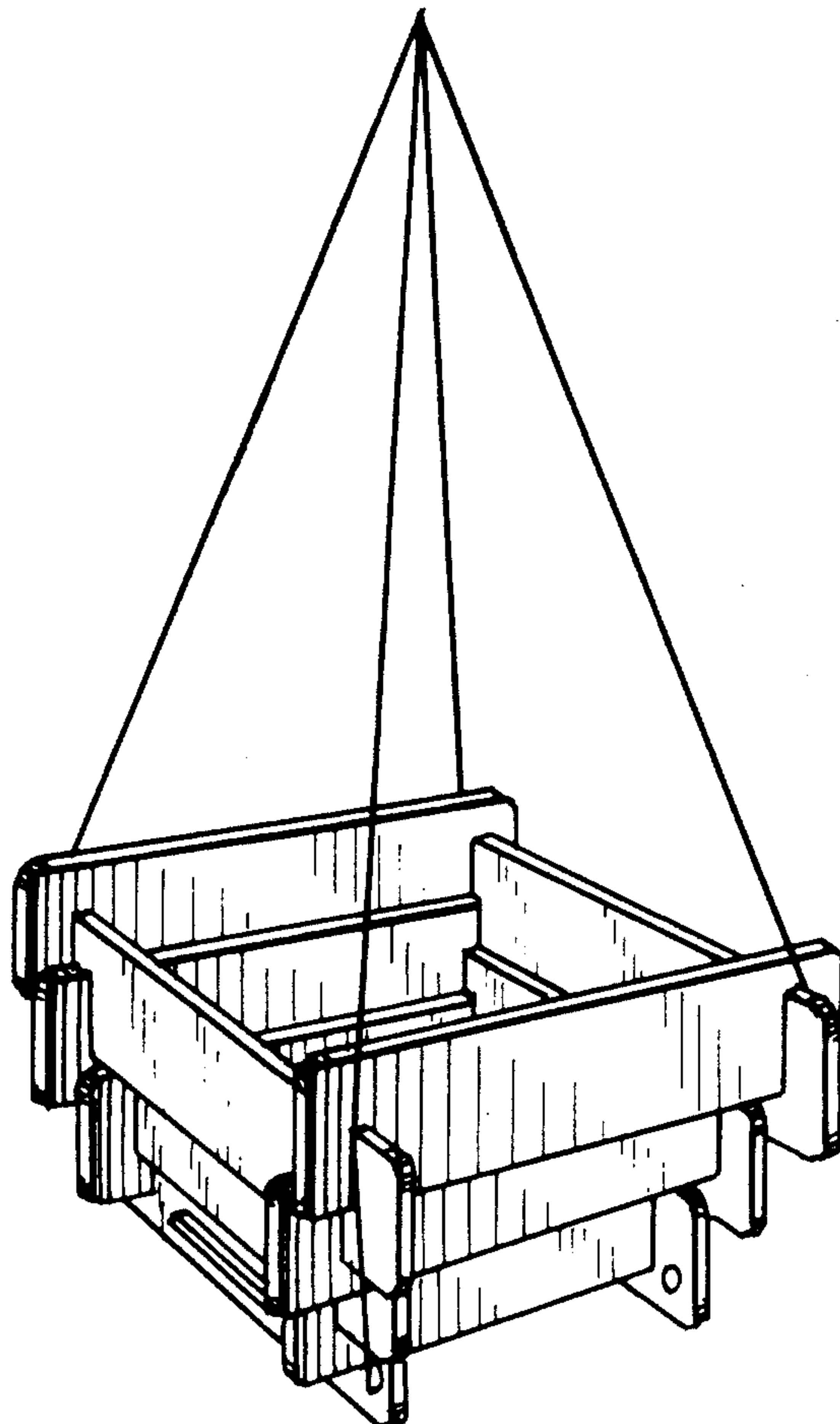


Fig. 1.

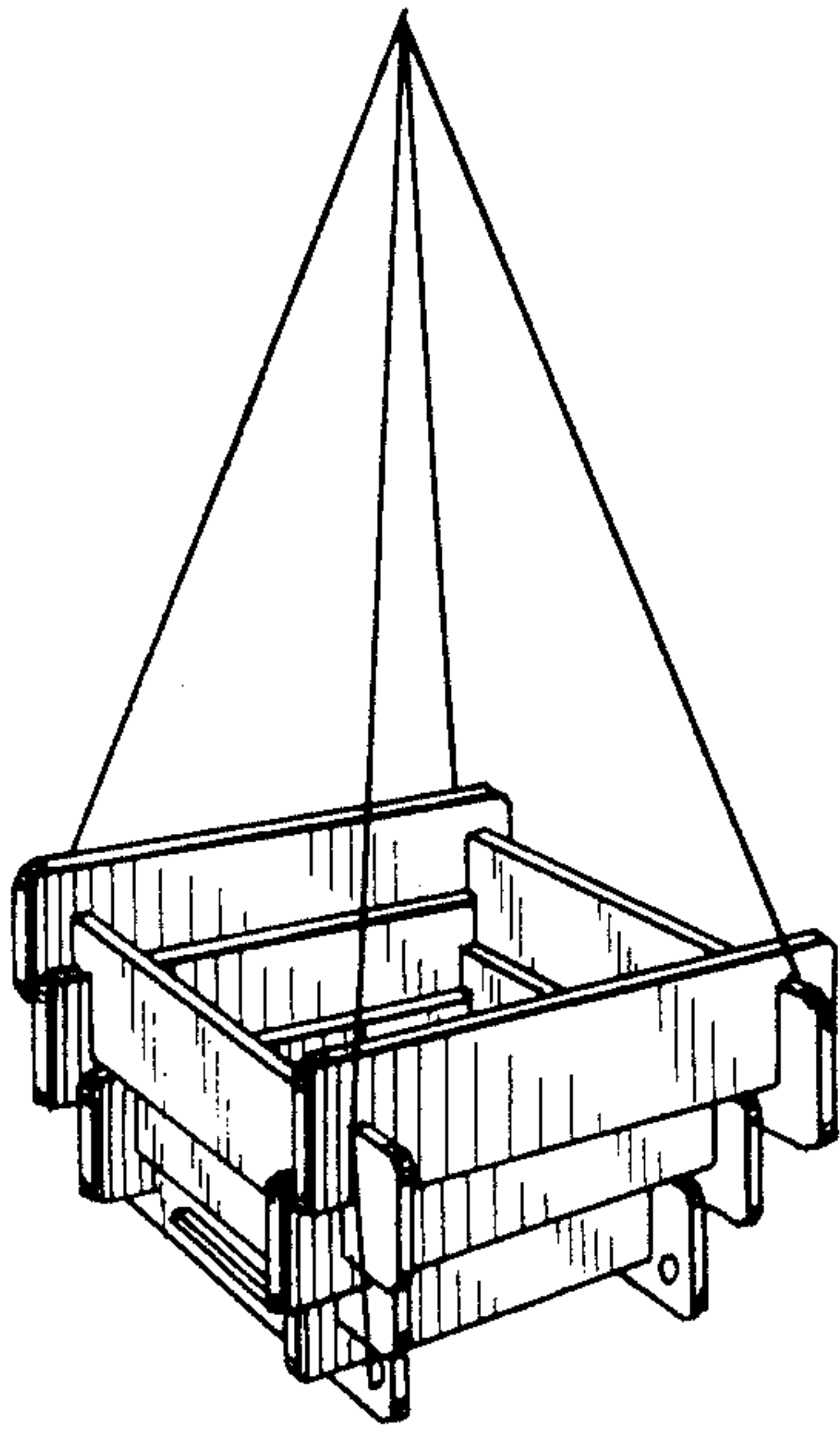


Fig. 2.

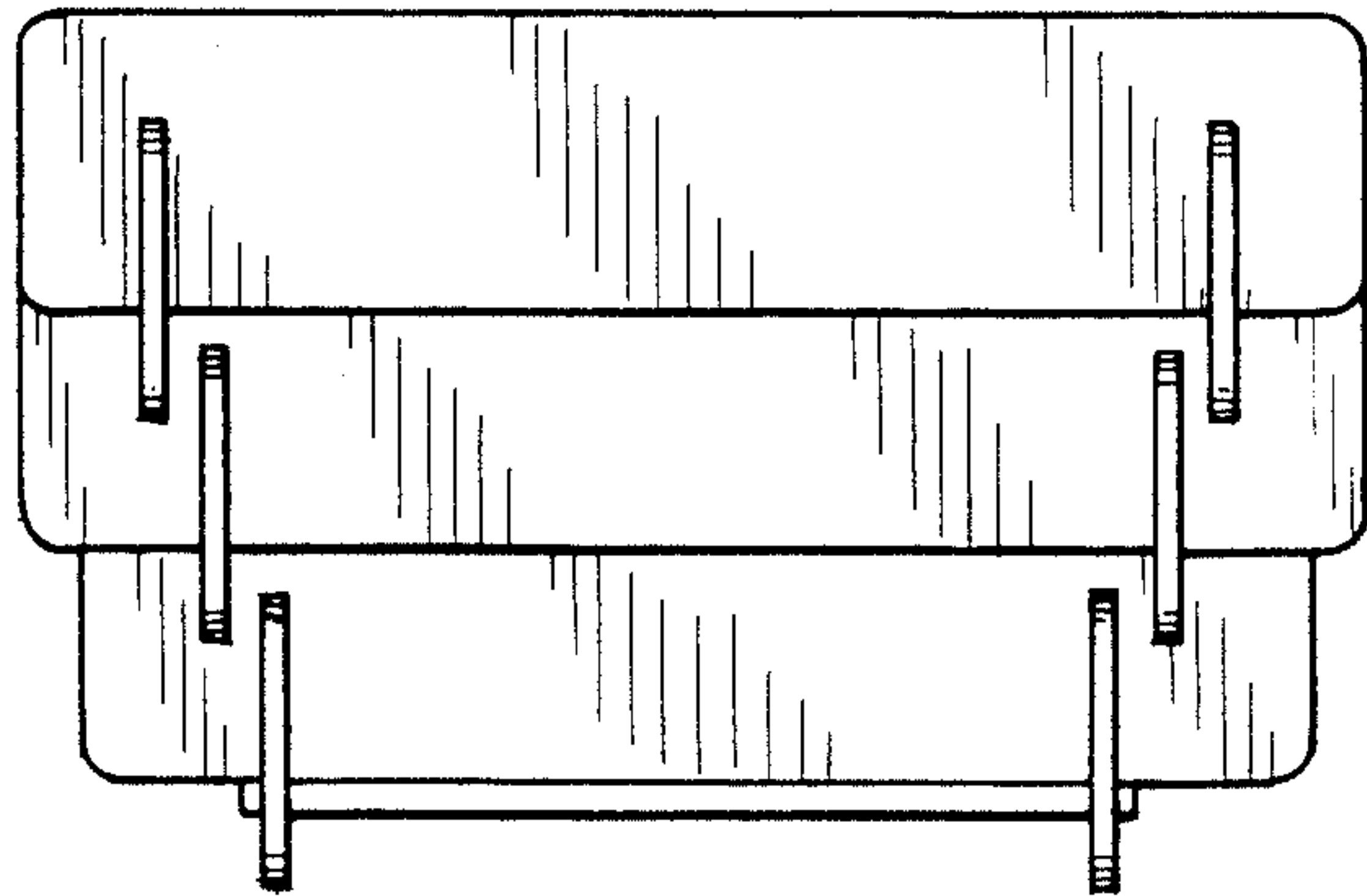


Fig. 3.

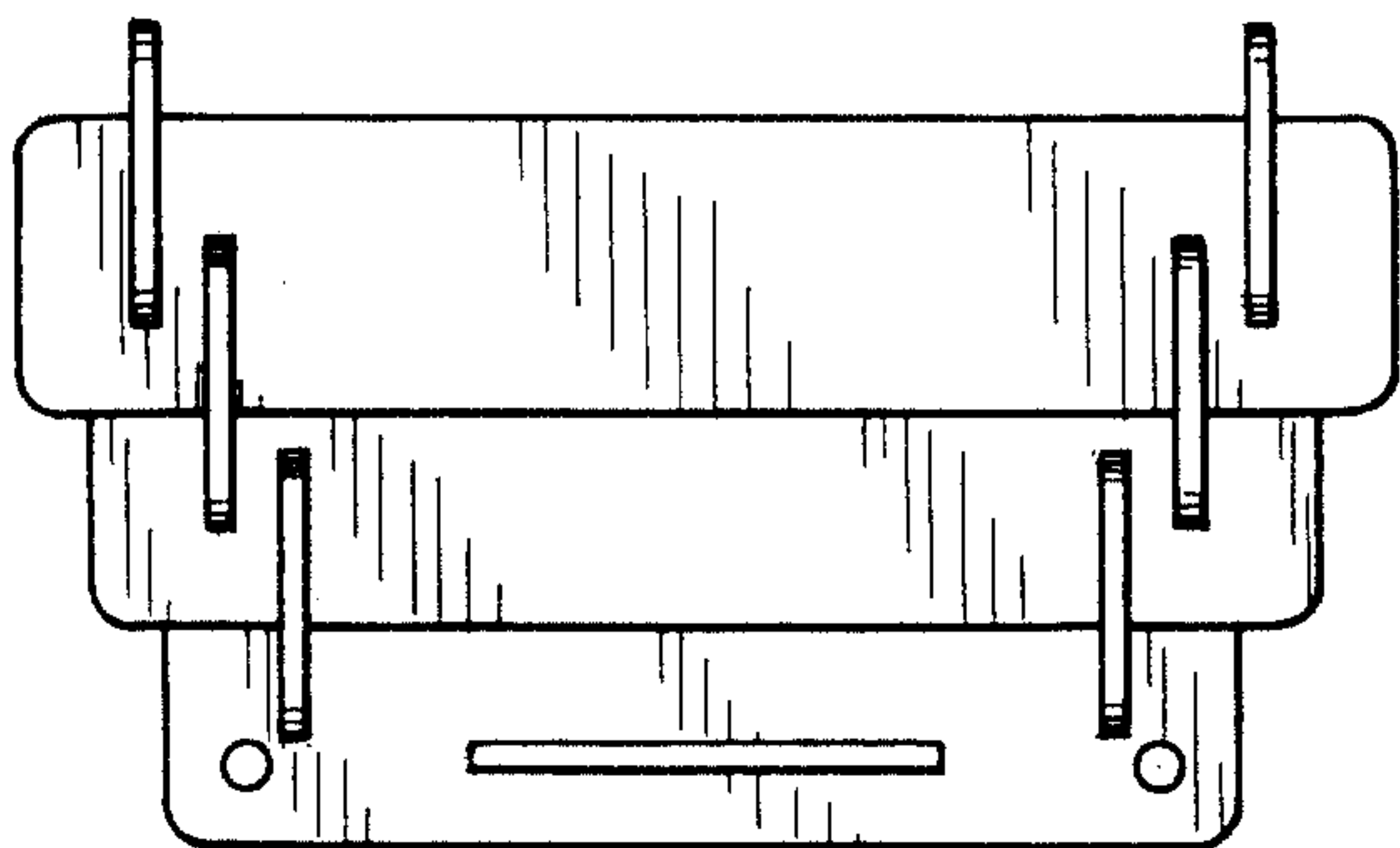


Fig. 4.

