

[54] **KNITTING AND SEWING EQUIPMENT HOLDER**

[76] Inventors: **Conrad A. Urban; Susan H. Urban,** both of Rte. 1, Hwy. 106, Fort Atkinson, Wis. 53538

[**] Term: **14 Years**

[21] Appl. No.: **701,659**

[22] Filed: **Jul. 1, 1976**

[51] Int. Cl. **D6-99**

[52] U.S. Cl. **D3/19 D**

[58] Field of Search **D3/19 D; 223/106, 108, 223/109 R; D6/185, 186, 85; D8/71**

[56] **References Cited**

U.S. PATENT DOCUMENTS

D. 82,099 9/1930 Marsh D6/186

D. 144,741	5/1946	Steinberg	D3/19 D
D. 164,779	10/1951	Koenig	D6/186 X
D. 177,556	5/1956	De Santis	D3/19 B
D. 208,469	9/1967	Parker	D6/188
3,948,396	4/1976	Upton et al.	D3/19 D X

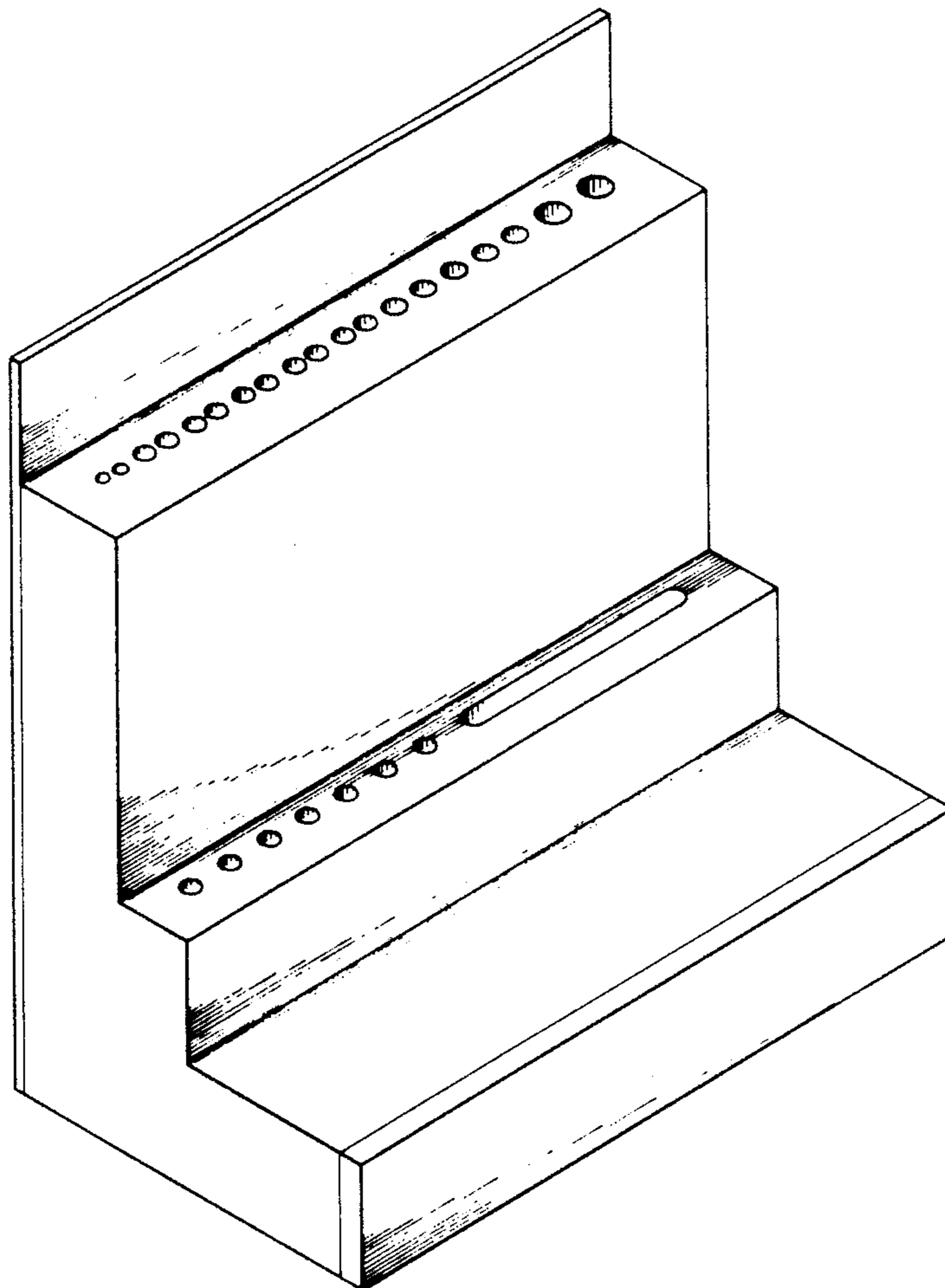
Primary Examiner—Robert C. Spangler
Attorney, Agent, or Firm—Theodore J. Long

[57] **CLAIM**

The ornamental design for a knitting and sewing equipment holder, as shown and described.

DESCRIPTION

FIG. 1 is an isometric view of a knitting and sewing equipment holder showing our new design; FIG. 2 is a side elevational view, the opposite side being a mirror image of the side shown; and FIG. 3 is a top plan view thereof. The back is flat and unornamented.



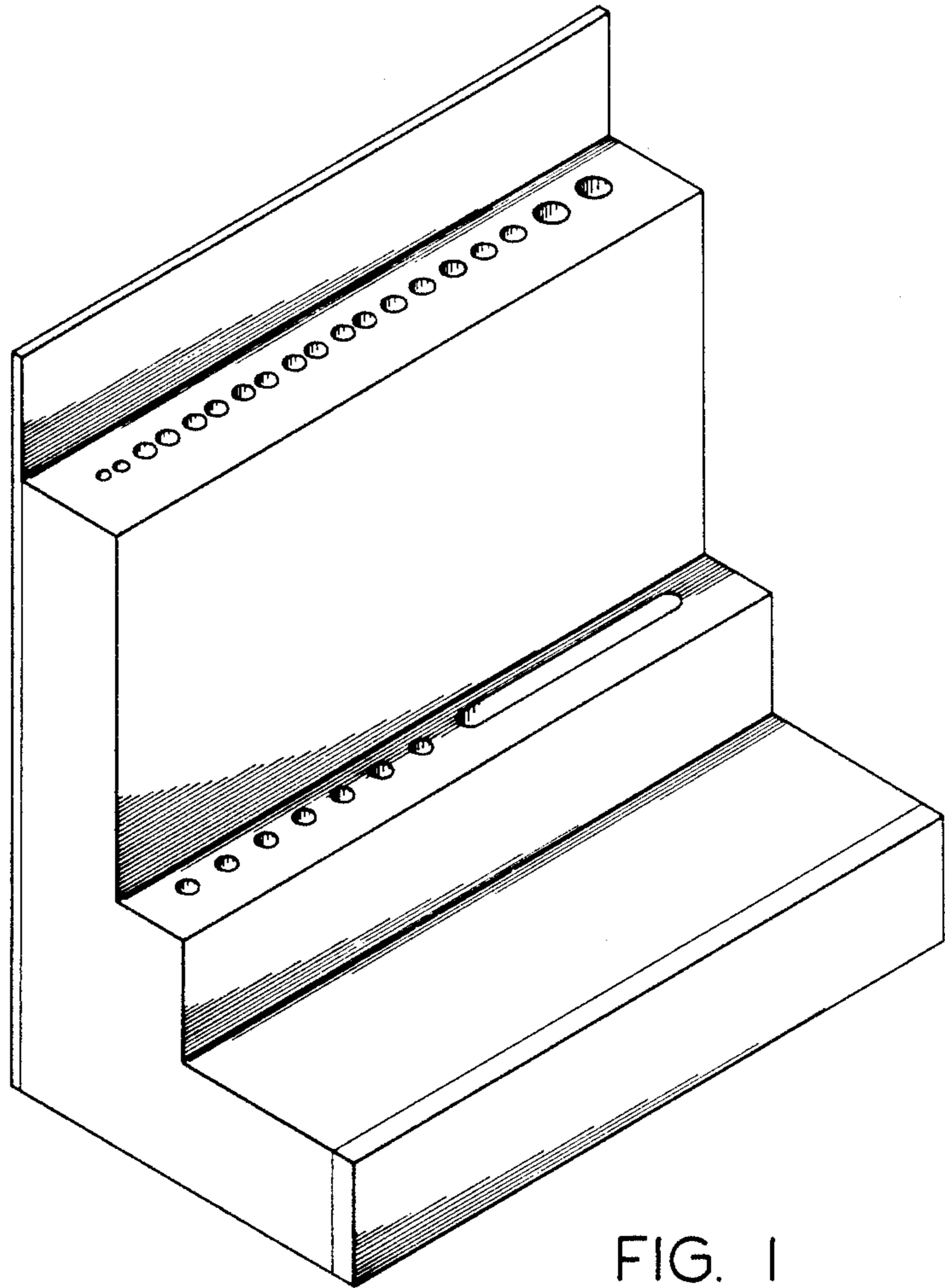


FIG. 1

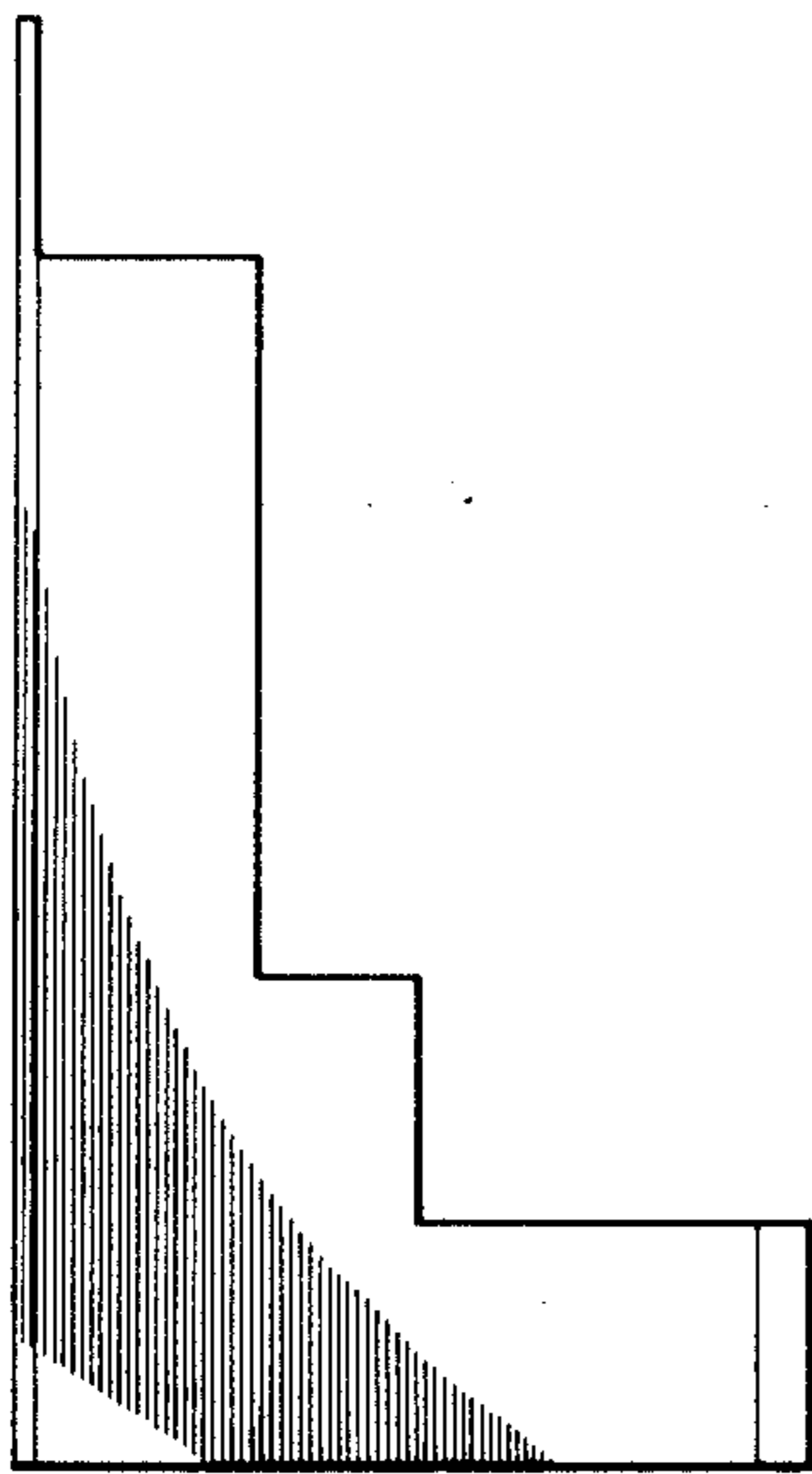


FIG. 2

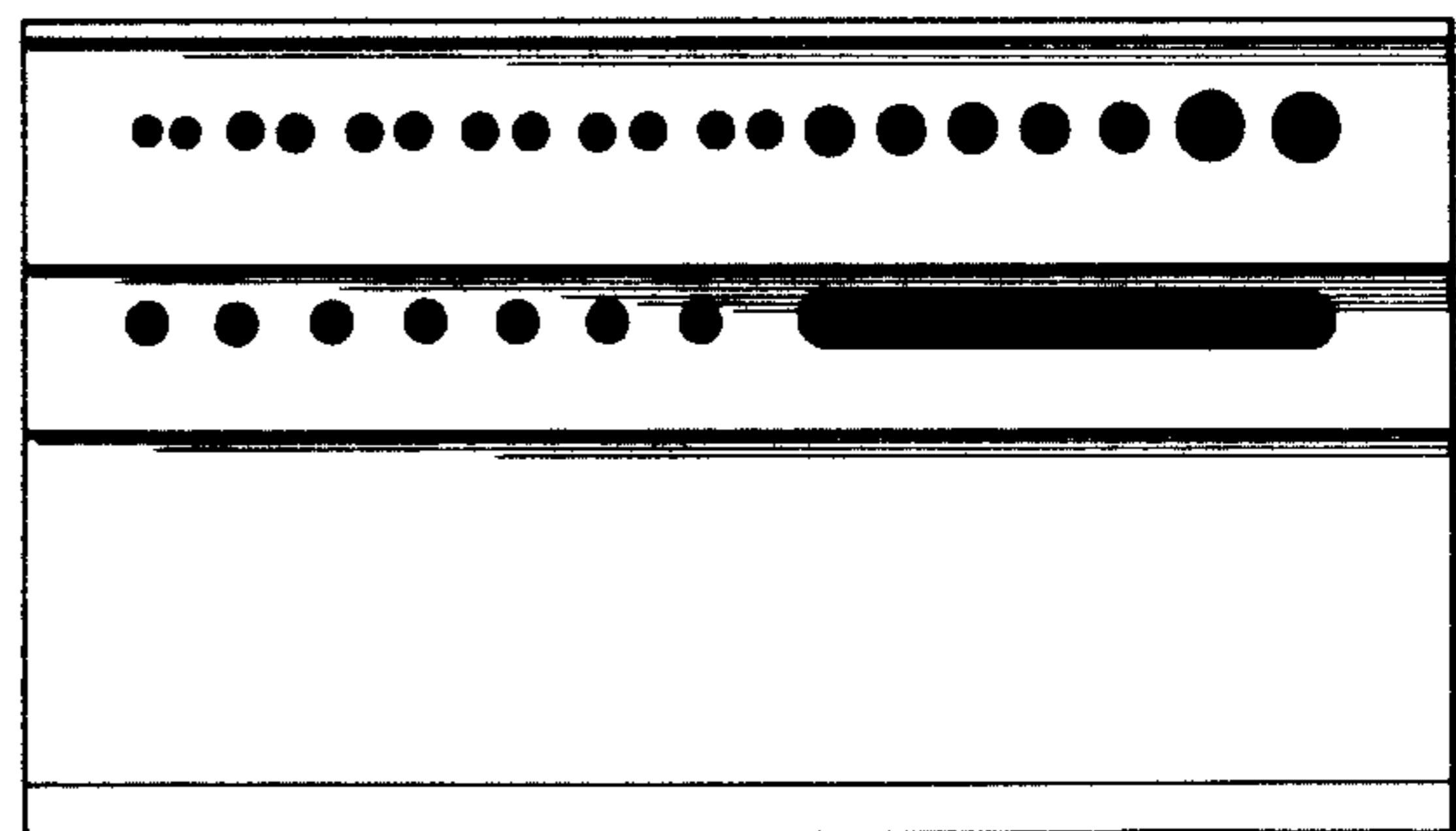


FIG. 3