

[54] GOLF PUTTER HEAD

[76] Inventor: **Walter I. Cervantes**, 789 Promontory
Dr. West, Newport Beach, Calif.
92660

[**] Term: **14 Years**

[21] Appl. No.: **755,250**

[22] Filed: **Dec. 29, 1976**

[51] Int. Cl. **D21-02**

[52] U.S. Cl. **D34/5 GH**

[58] Field of Search **D34/5 GH, 5 GC;**
273/167-175, 163 R, 164

[56] **References Cited**

U.S. PATENT DOCUMENTS

D. 204,466 4/1966 Sowers D34/5 GH
645,944 3/1900 Dalgleish 273/174

OTHER PUBLICATIONS

Golf Digest, Apr. 1968, p. 106, upper right, Dargie's
putter.

Primary Examiner—Melvin B. Feifer

[57] **CLAIM**

The ornamental design for a golf putter head, as shown.

DESCRIPTION

FIG. 1 is a front perspective view of a golf putter head
showing my new design;

FIG. 2 is a front elevational view thereof;

FIG. 3 is a sectional view taken along line 3—3 in FIG.
2; and

FIG. 4 is a rear bottom perspective view.

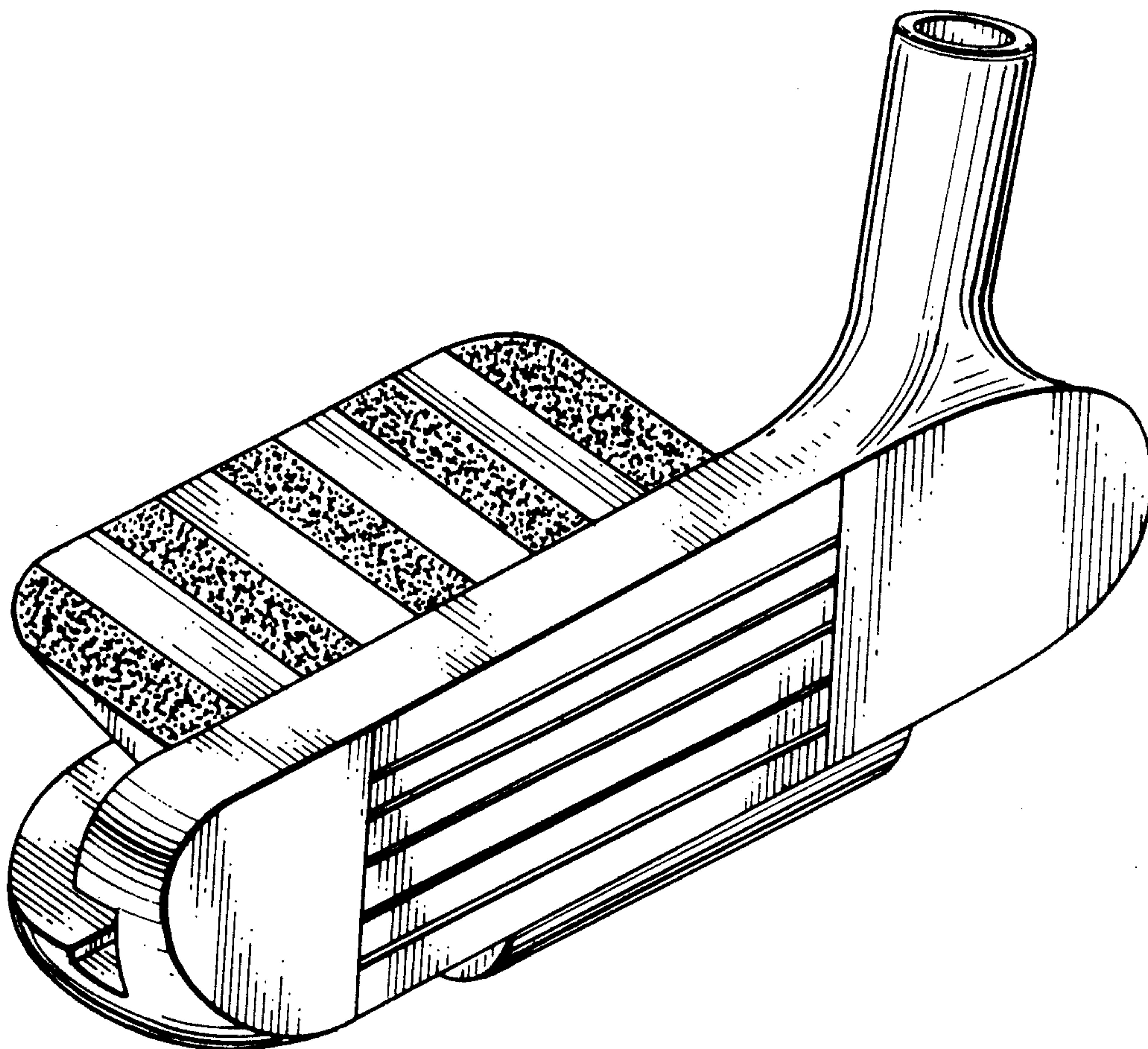


FIG. 1

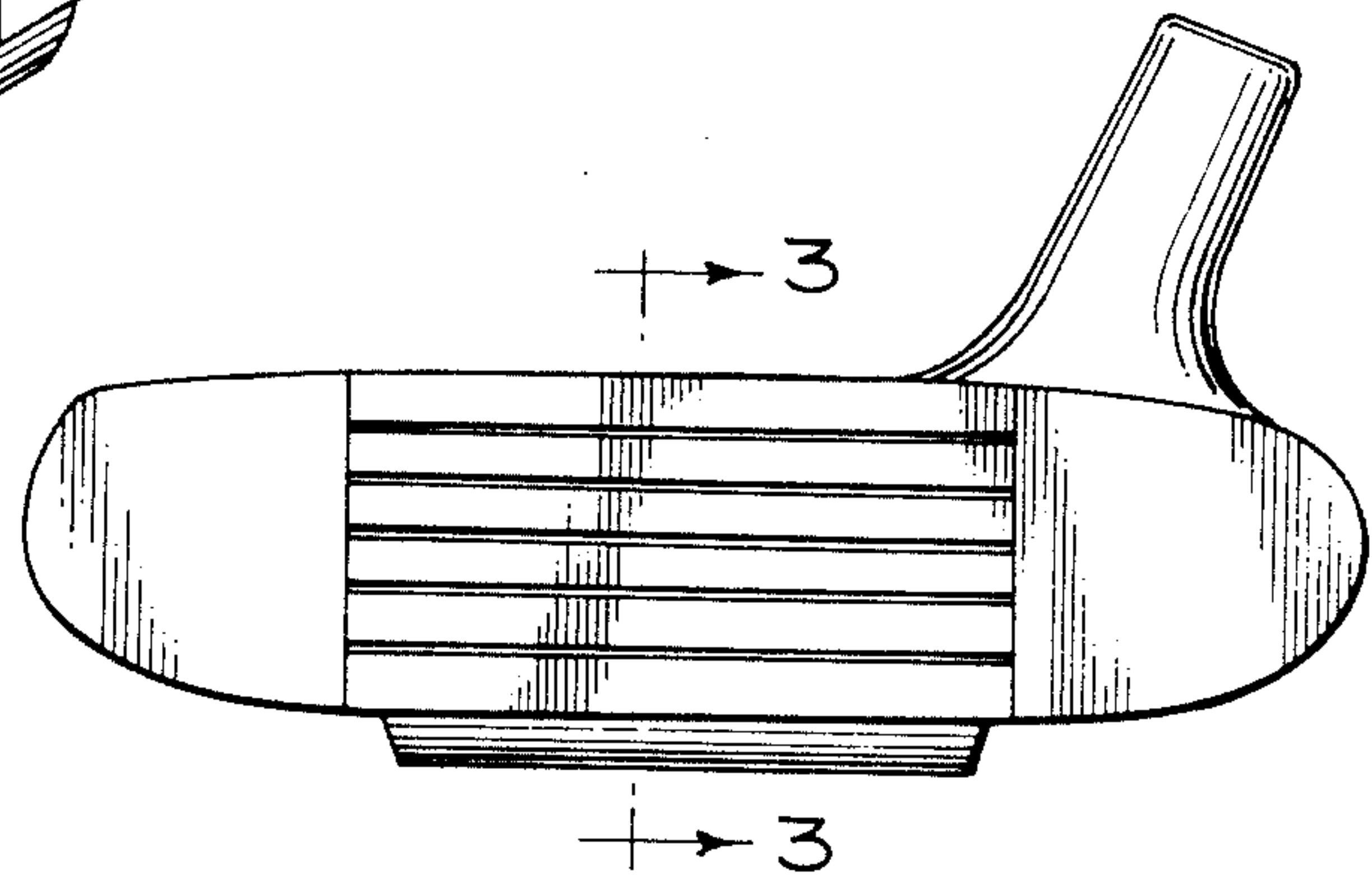
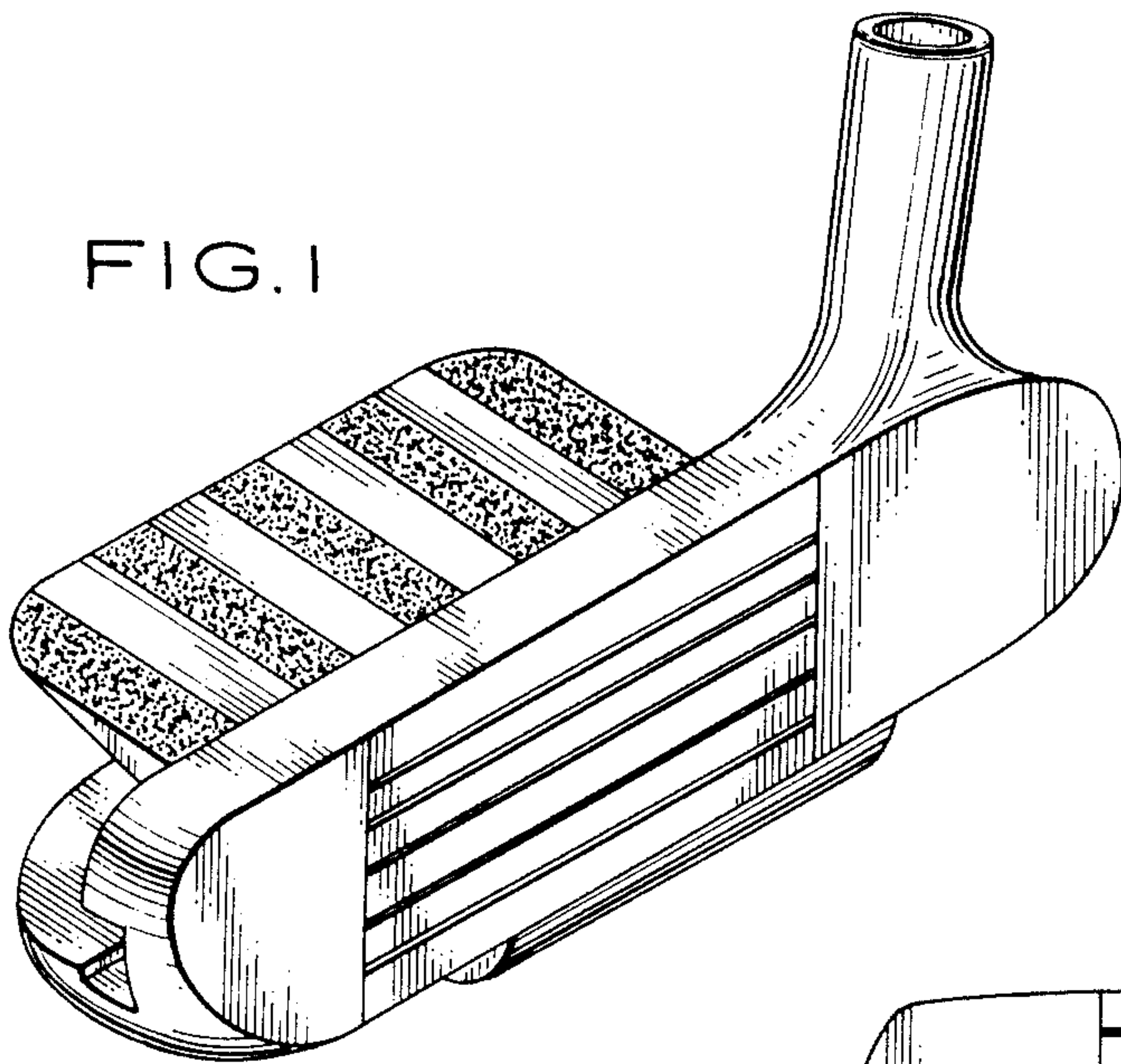


FIG. 2

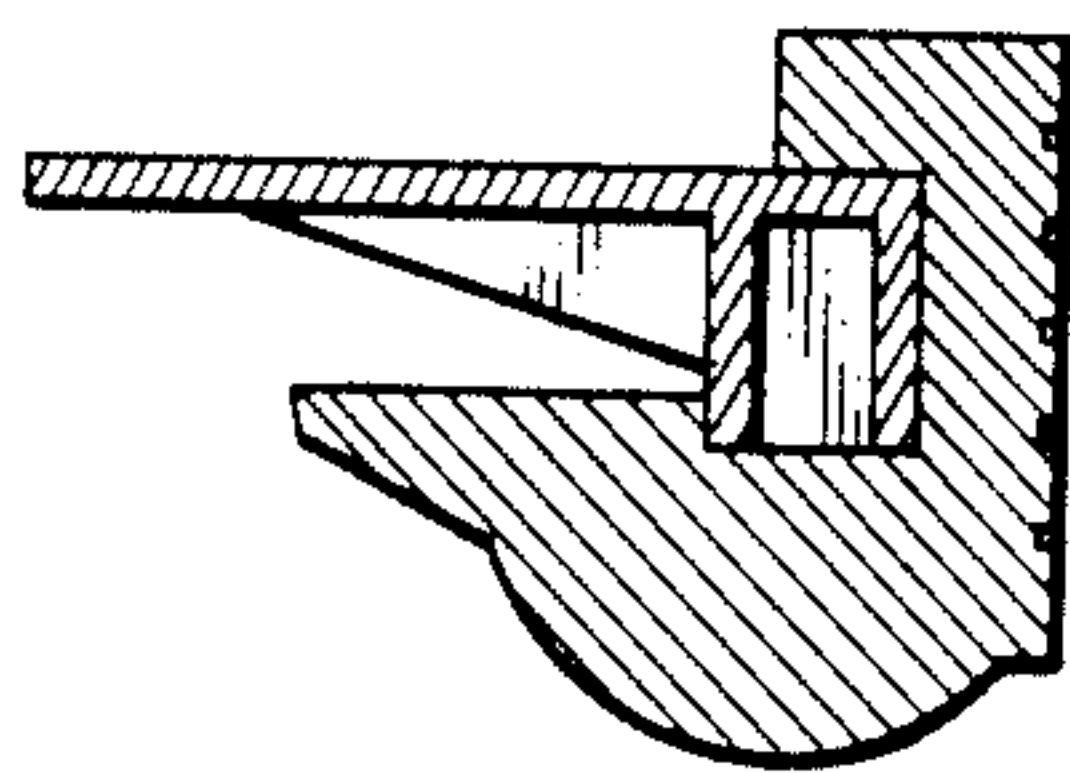


FIG. 3

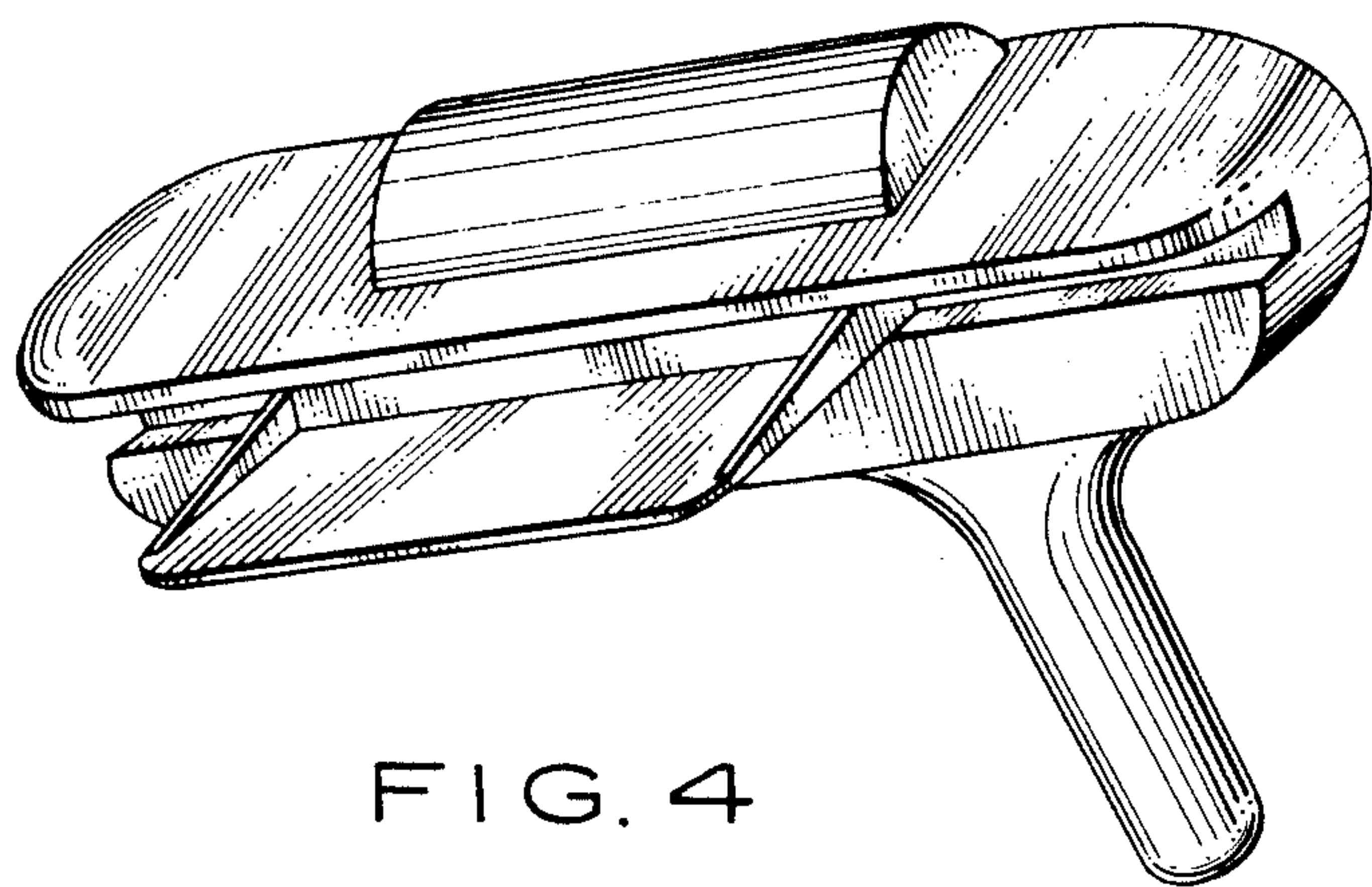


FIG. 4