

[54] MANUAL CONTROL VALVE FOR ANESTHETIC GASES

3,575,206 4/1971 Ulmann ..... 128/146.4  
3,688,794 9/1972 Bird et al. .... 128/146.4

[76] Inventor: Allan M. Steigerwald, Rte. 3, Box 1000, Port Angeles, Wash. 98362

Primary Examiner—Bernard Ansher  
Attorney, Agent, or Firm—Francis L. Swanson

[\*\*] Term: 14 Years

[57] CLAIM

[21] Appl. No.: 746,621

The ornamental design for a manual control valve for anesthetic gases, as shown and described.

[22] Filed: Dec. 1, 1976

DESCRIPTION

[51] Int. Cl. .... D29—02; D29—99

[52] U.S. Cl. .... D29/7; D23/19

[58] Field of Search ..... 128/142, 146.4; D23/19, D23/20, 21, 22; 137/529, 102, 105; D29/7

FIG. 1 is a side elevation showing the left side of my design, which elevation is a mirror image of the right side.

FIG. 2 is a plan view of the top of my design.

FIG. 3 is an elevation showing the front of my design.

FIG. 4 is an elevation showing the rear of my design.

FIG. 5 is a plan view of the bottom of my design.

FIG. 6 is a perspective view showing the top, front and left side of my design.

[56] References Cited

U.S. PATENT DOCUMENTS

D. 234,637 3/1975 Flynn ..... D29/7  
3,521,626 7/1970 Hashimoto et al. .... 128/142

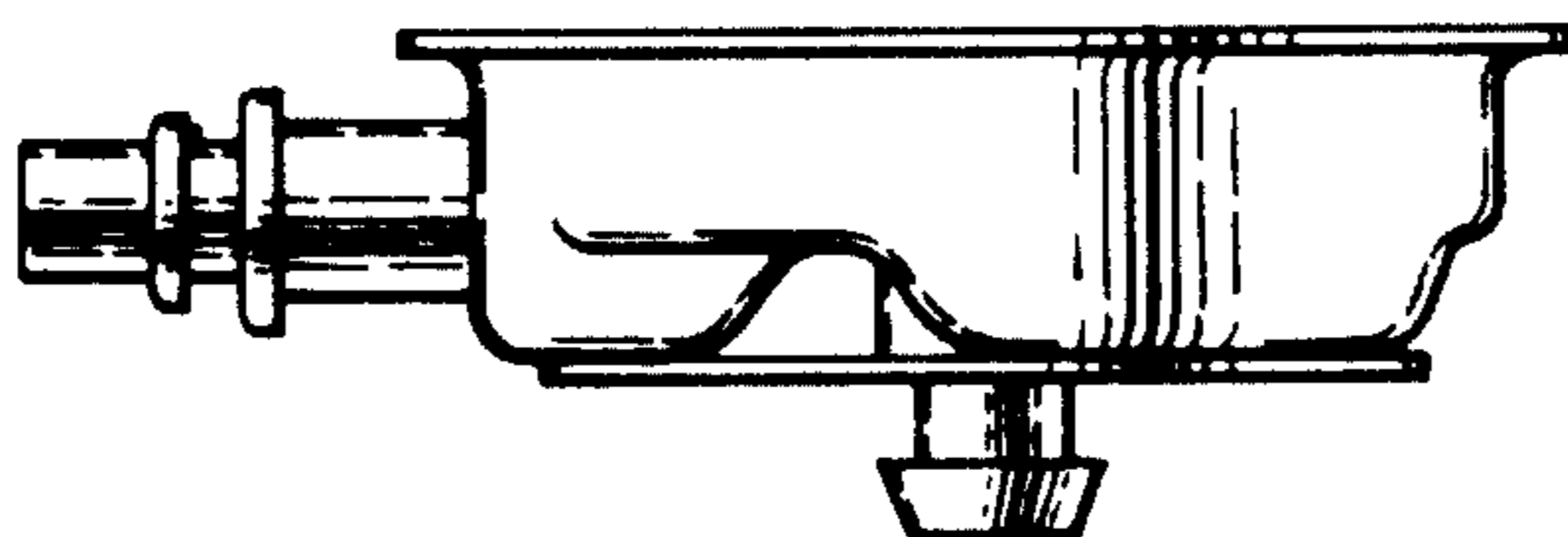
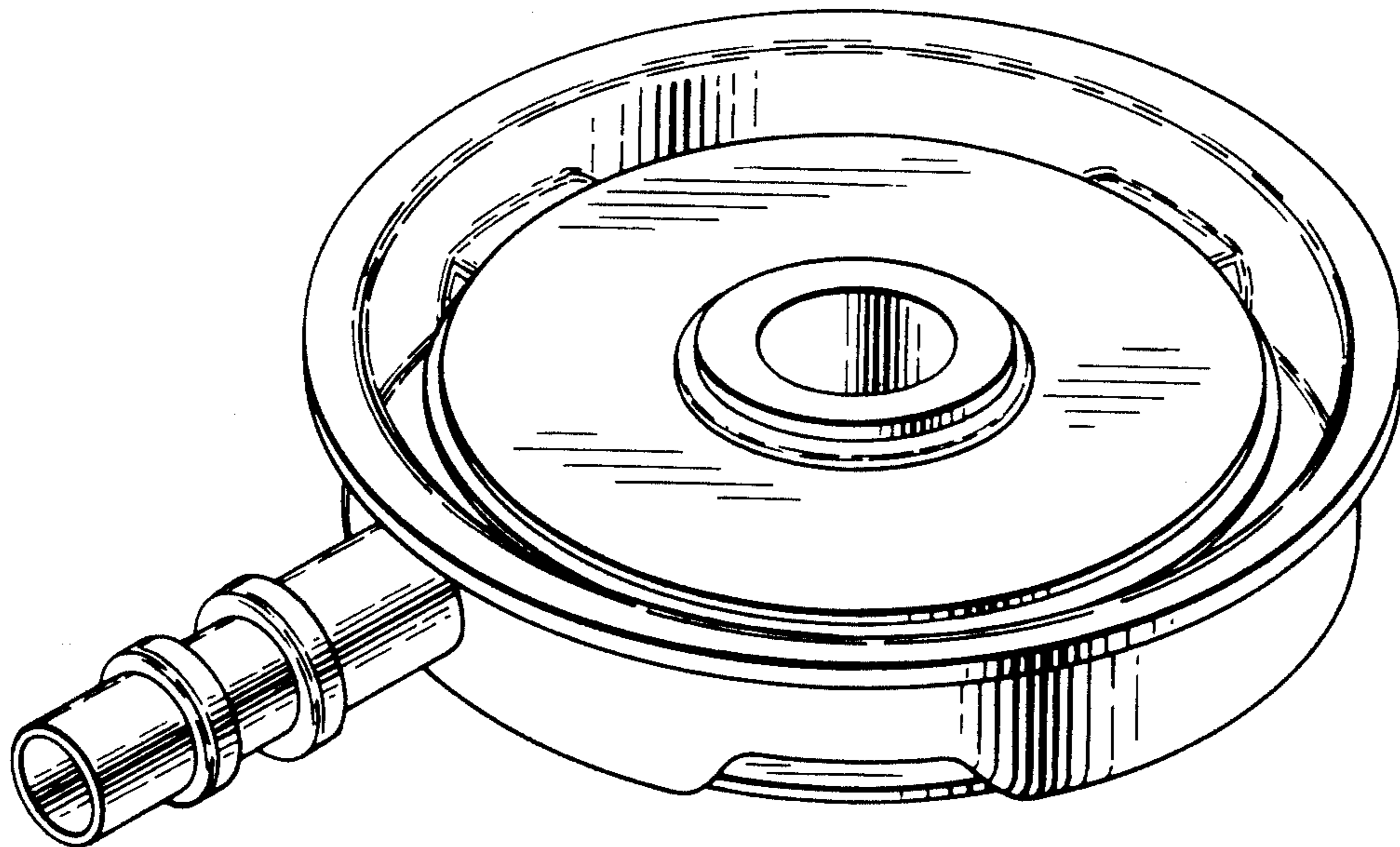


FIG. 1

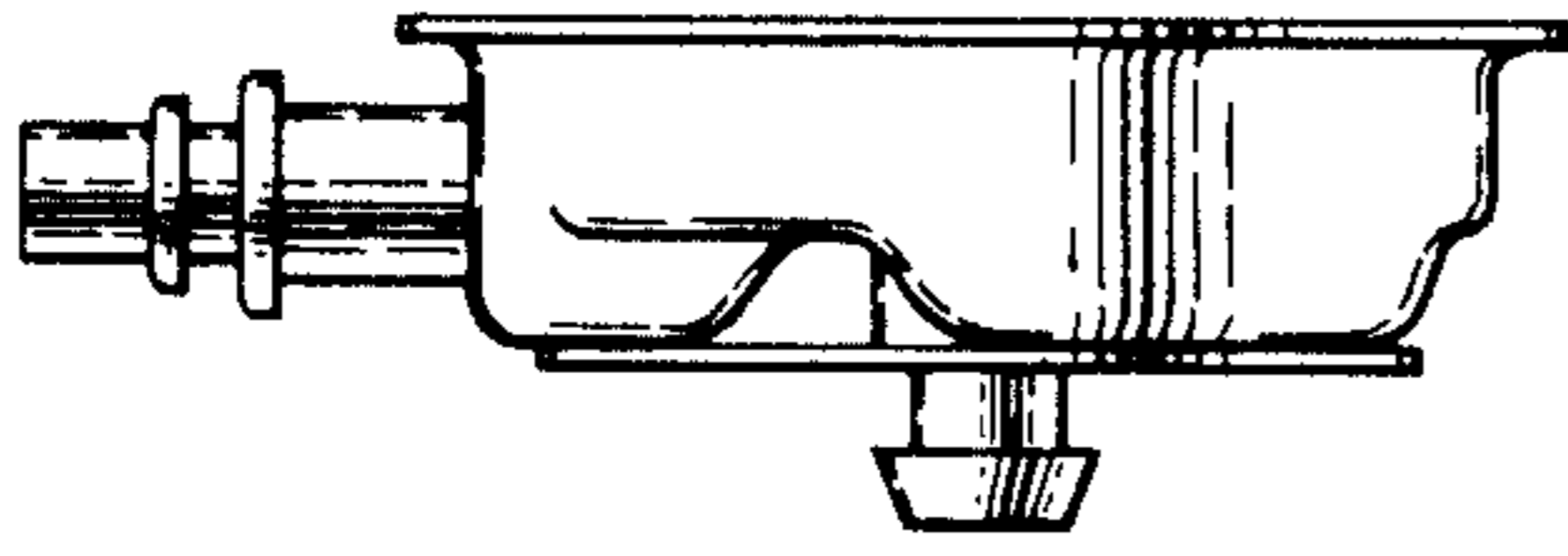


FIG. 2

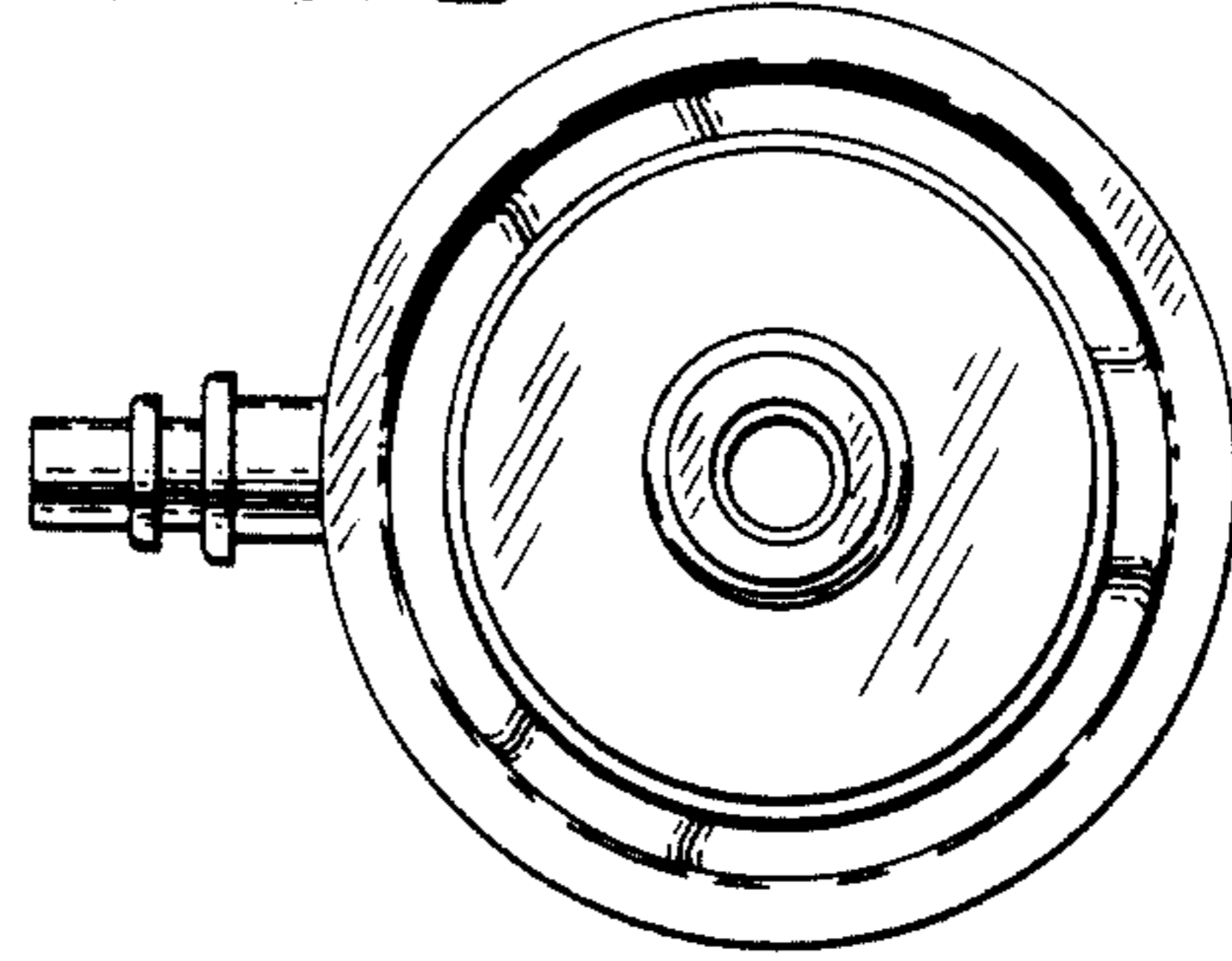


FIG. 3

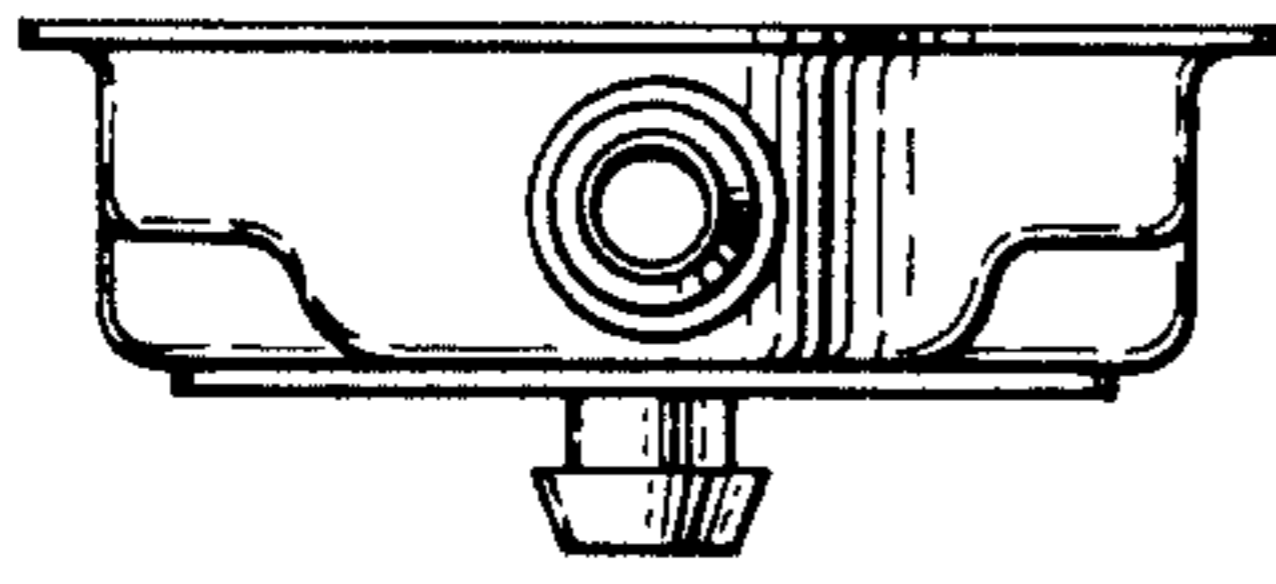


FIG. 4

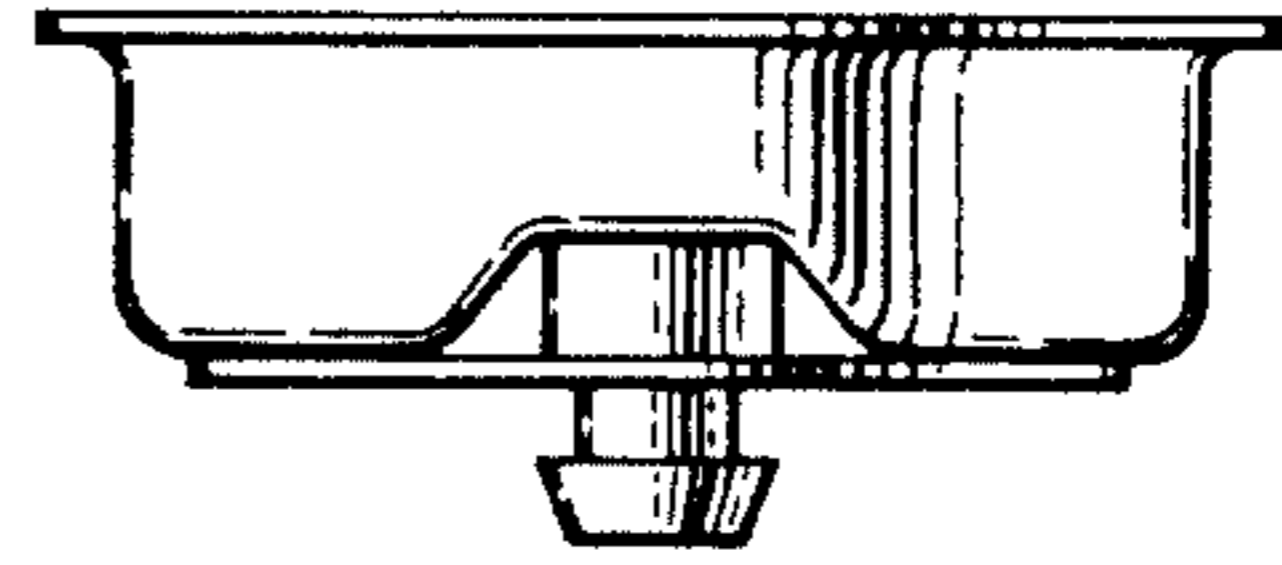


FIG. 5

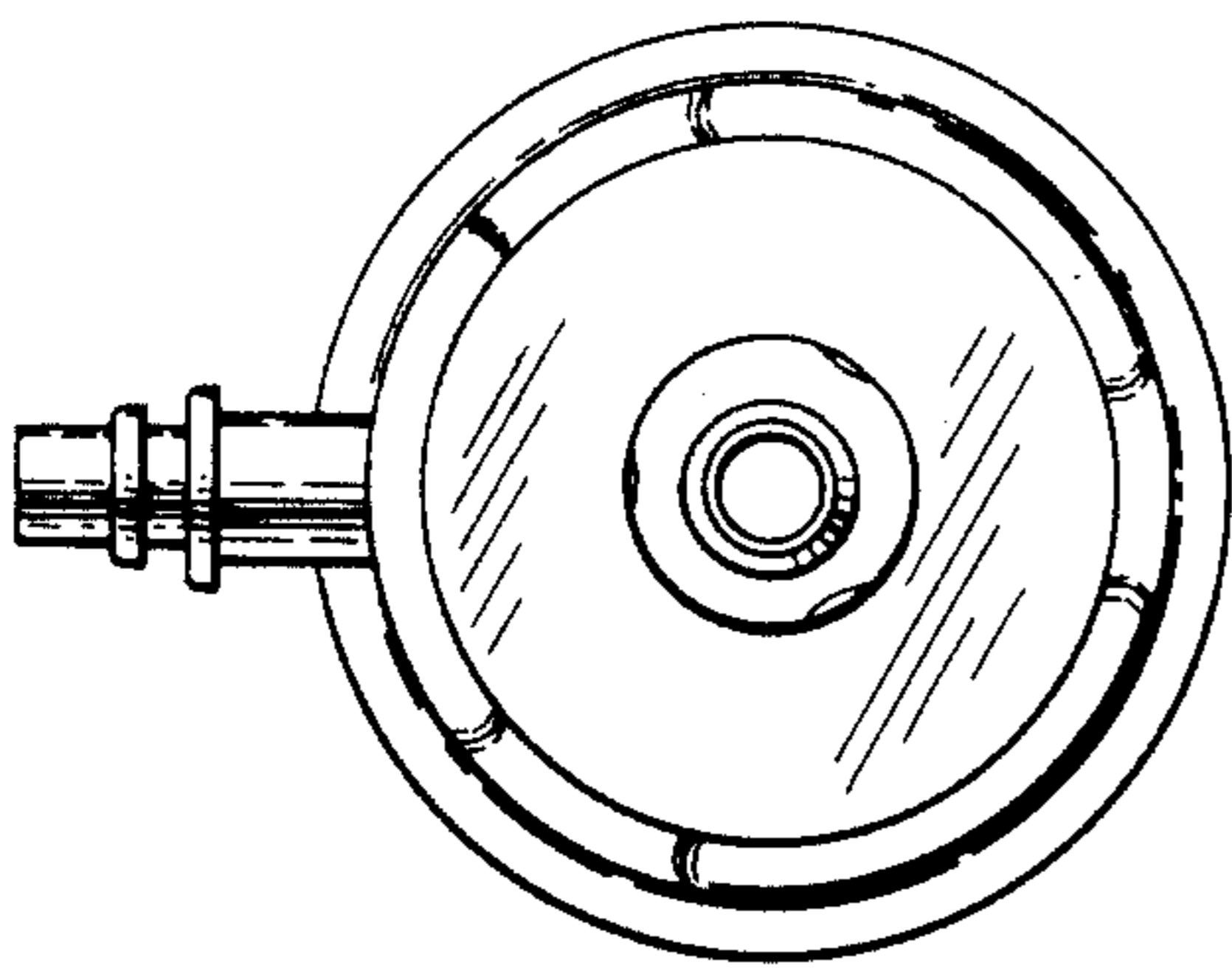


FIG. 6

