

[54] HAIR DRYER

[75] Inventor: Shinji Yamamoto, Kadoma, Japan

[73] Assignee: Matsushita Electric Works, Ltd., Kadoma, Japan

[**] Term: 14 Years

[21] Appl. No.: 727,544

[22] Filed: Sep. 28, 1976

[30] Foreign Application Priority Data
Apr. 2, 1976 Japan 51-12327

[51] Int. Cl. D28-03

[52] U.S. Cl. D28/13

[58] Field of Search D28/9, 10, 12-16, D28/18, 24; D4/13, 14, 17; 219/222; 34/96-101; 132/7, 9, 11 R, 11 A, 118

[56] References Cited

U.S. PATENT DOCUMENTS

D. 228,370 9/1973 Ikejima D28/13
D. 243,367 2/1977 Nagelkerke D28/13

OTHER PUBLICATIONS

Home Furnishings Daily, Wed. 7/2/1975, p. 10—Super Cyclone II Pro Blower at bottom right.

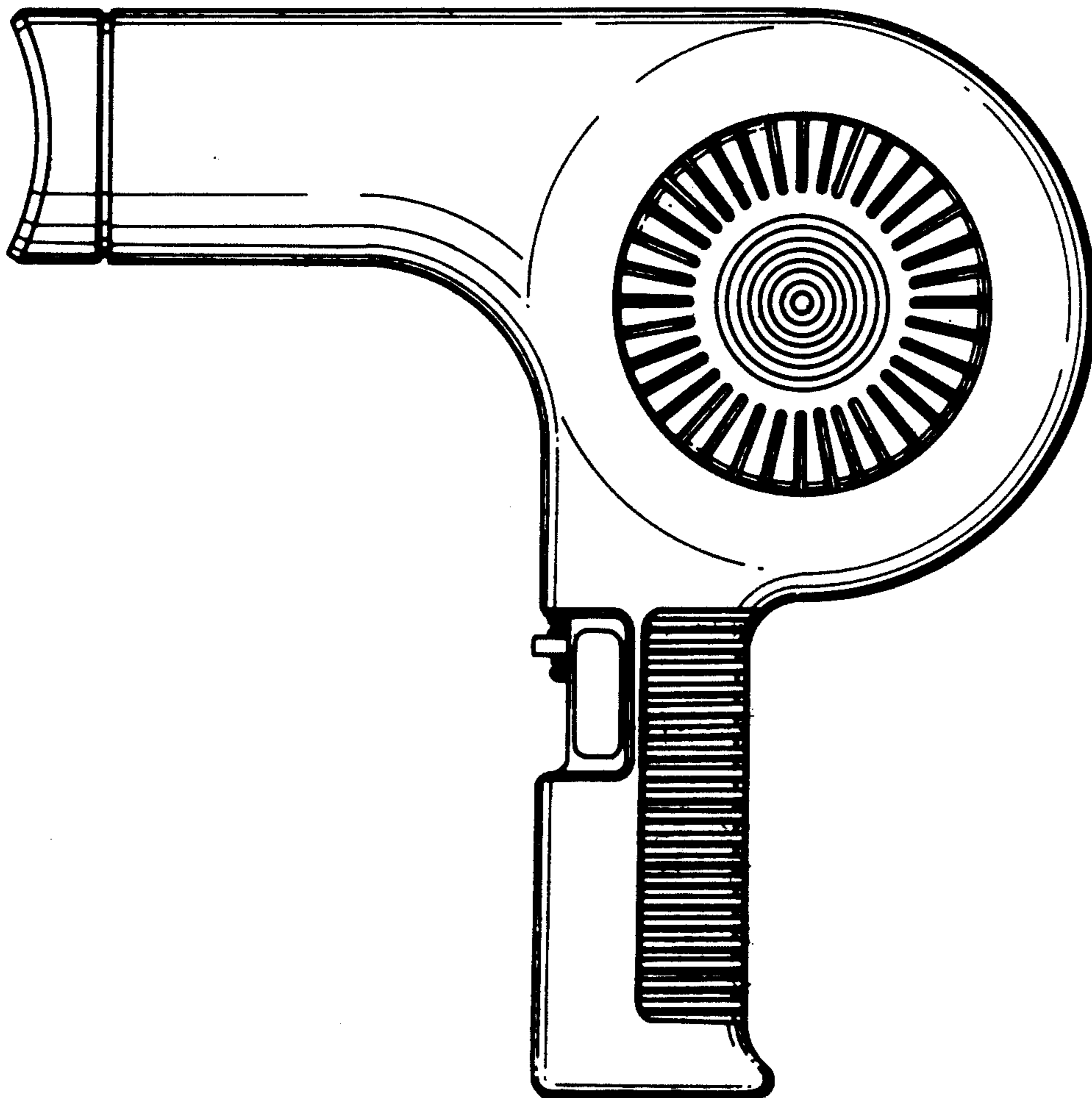
Primary Examiner—Joel Stearman
Assistant Examiner—Louis S. Zarfes
Attorney, Agent, or Firm—Richard C. Sughrue

[57] CLAIM

The ornamental design for a hair dryer, as shown.

DESCRIPTION

FIG. 1 is a left side elevational view of a hair dryer showing my new design;
FIG. 2 is a right side elevational view;
FIG. 3 is a top plan view;
FIG. 4 is a bottom plan view;
FIG. 5 is a front elevational view; and
FIG. 6 is a rear elevational view.



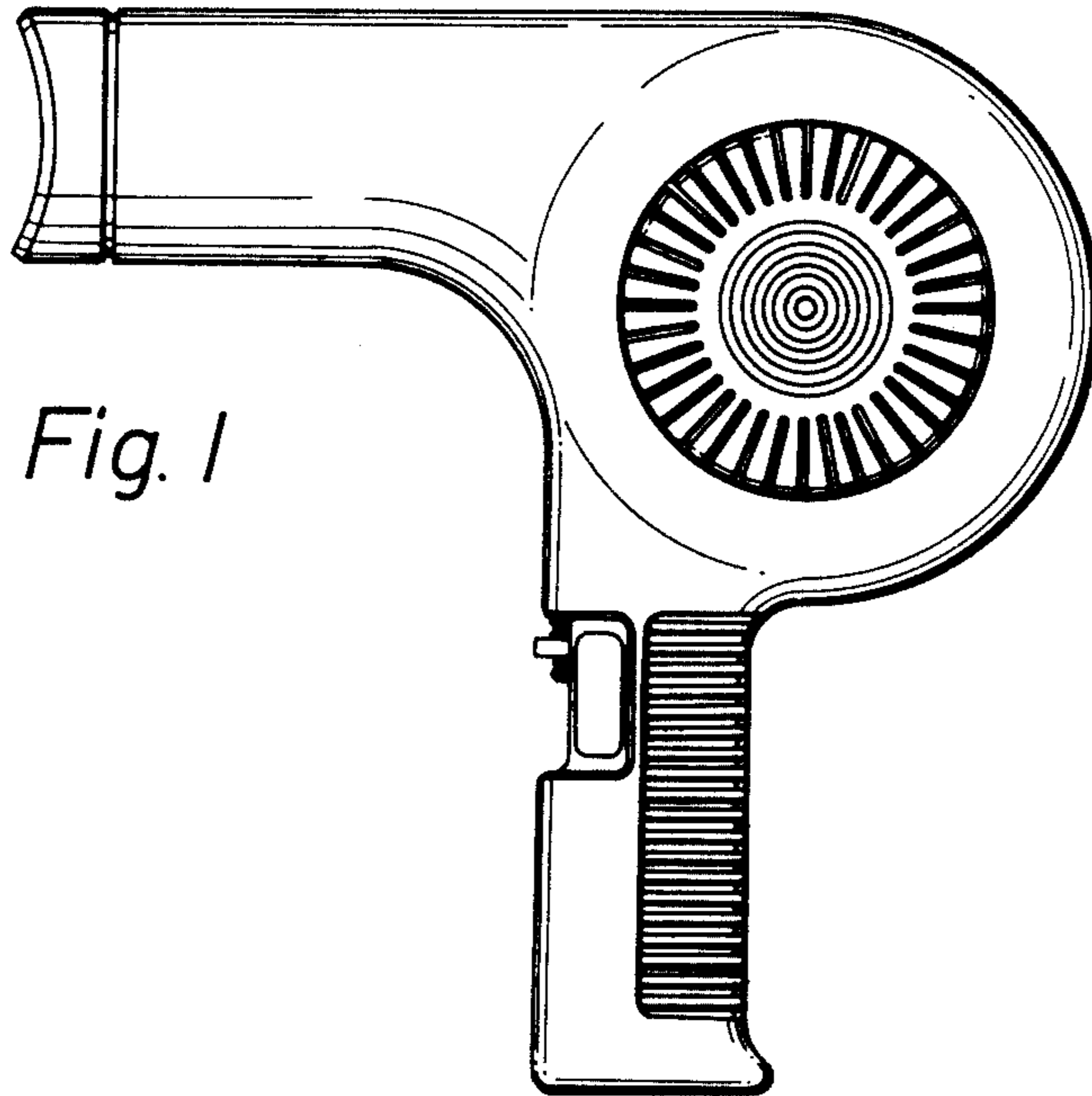


Fig. 1

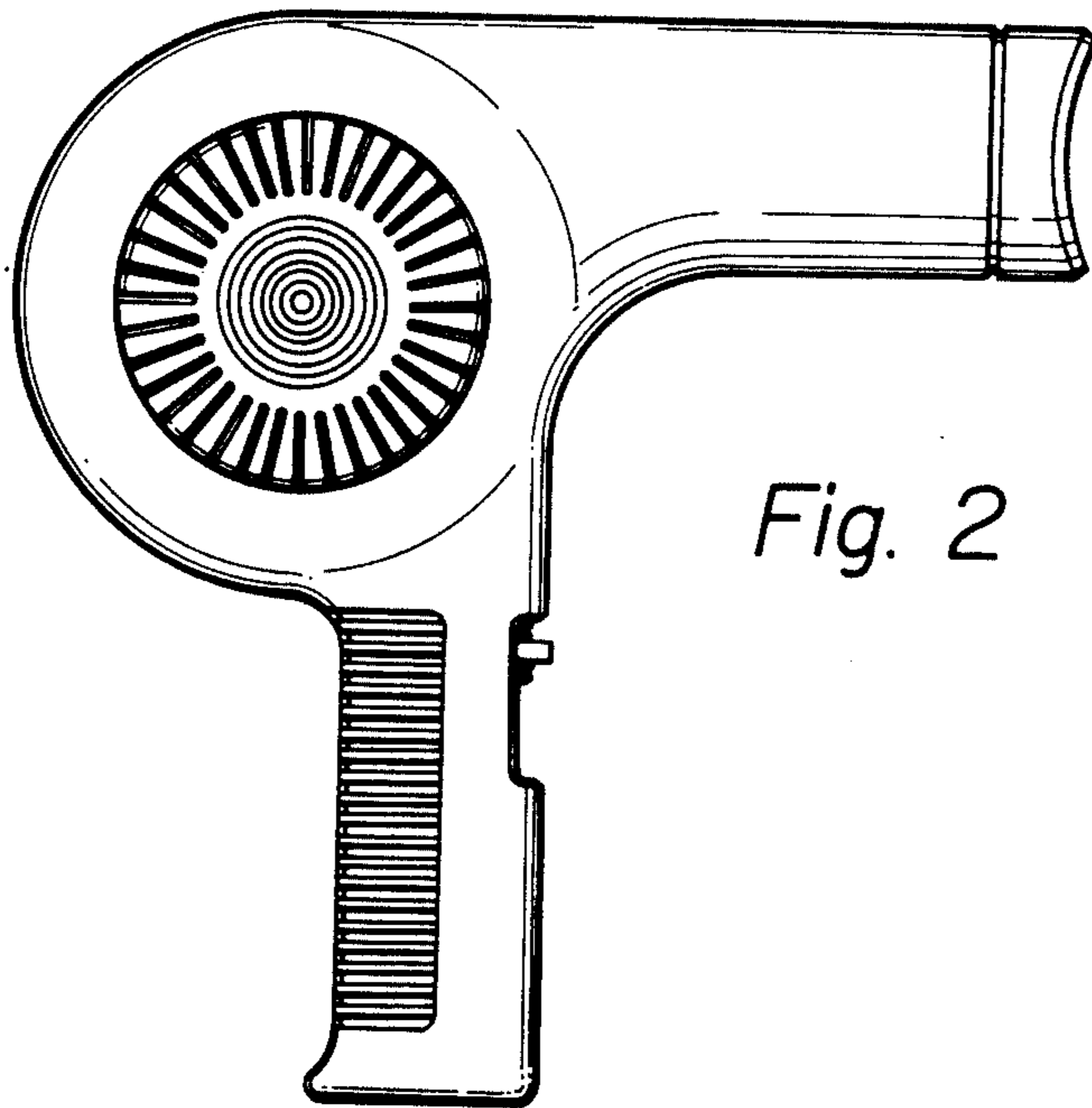


Fig. 2

Fig. 3

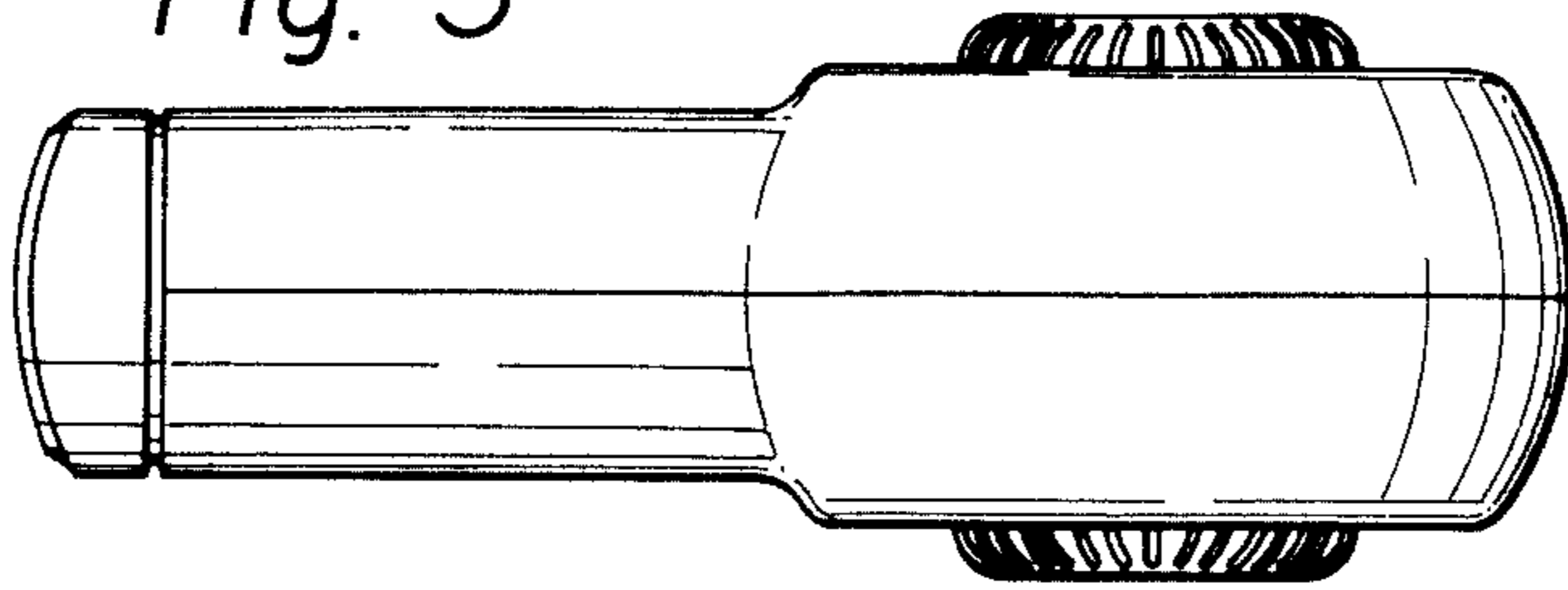


Fig. 4

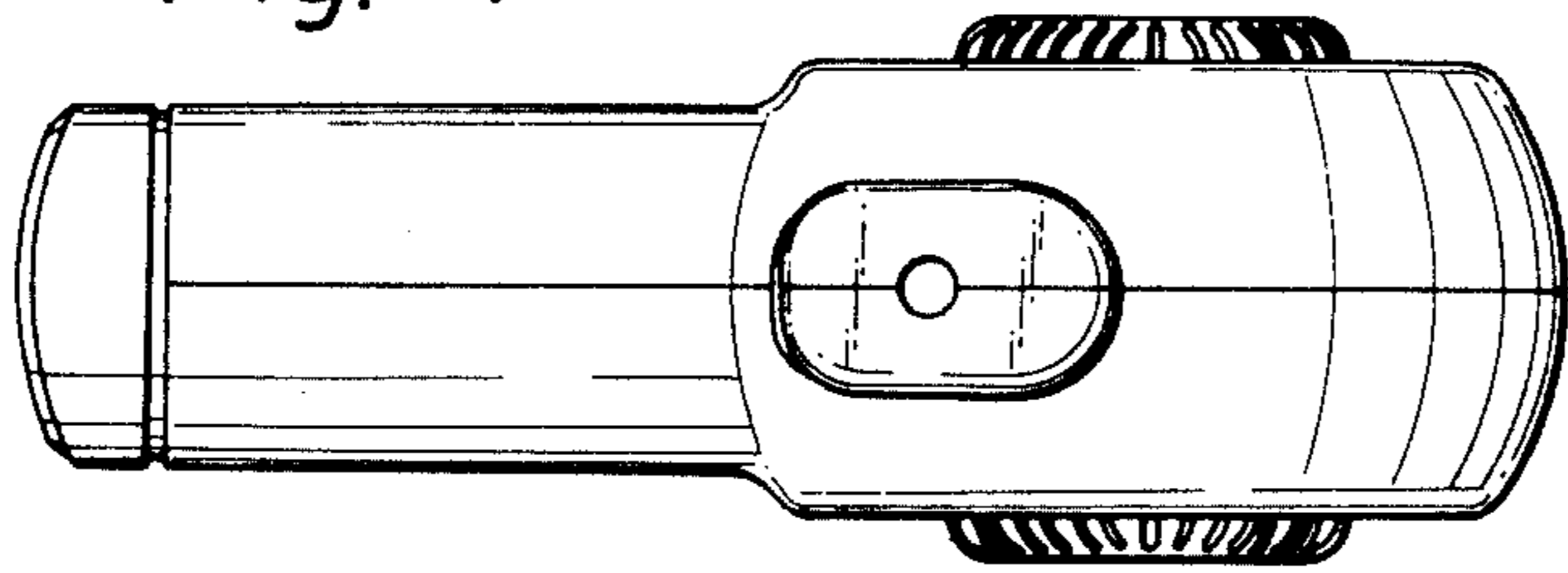


Fig. 5

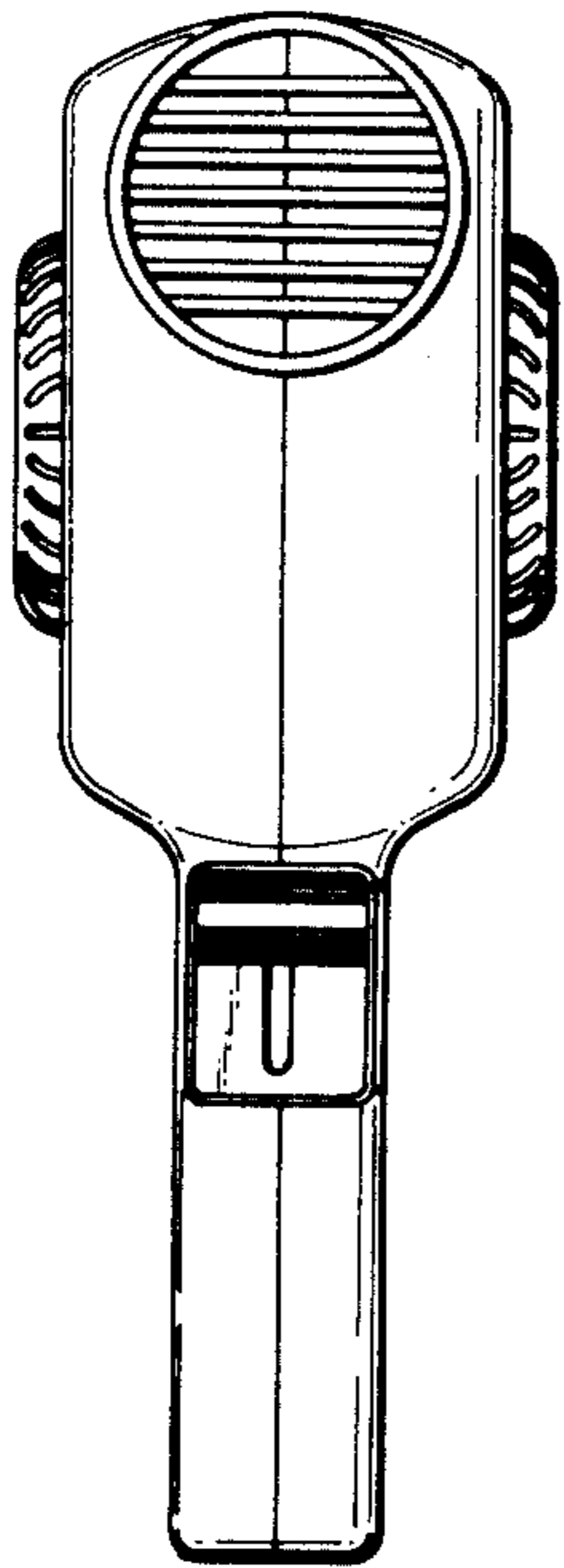


Fig. 6

