

- [54] **BLADE FOR SURGICAL KNIFE** 3,654,701 4/1972 Hastings 30/346.56
- [75] Inventor: **Ryoji Kanai, Seki, Japan**
- [73] Assignee: **Feather Kogyo Kabushiki Kaisha, Mino, Japan**
- [**] Term: **14 Years**
- [21] Appl. No.: **608,404**
- [22] Filed: **Aug. 27, 1975**
- [30] **Foreign Application Priority Data**
Jun. 13, 1975 Japan 50-23976
- [51] Int. Cl. **D24—02; D28—03**
- [52] U.S. Cl. **D24/29; D24/30; D24/28; D24/16; D8/20; D8/98; D7/152**
- [58] Field of Search 30/338, 339, 355, 162; D7/152, 47; D8/98, 20; D24/27, 26, 28, 30, 29, 16

[56] **References Cited**

U.S. PATENT DOCUMENTS

486,426	11/1892	Brooks	30/348
2,108,267	2/1938	O'Neill	30/346.6 X
2,555,735	6/1951	Estabrooks	D7/151
2,895,218	7/1959	Petzoldt	30/355
2,960,769	11/1960	Matwijcow	D83/12 R
3,555,682	1/1971	Laszlo	30/346.58 X

OTHER PUBLICATIONS

Sargent and Co., 1961, p. 405, Cat. 109, Knife Blade, Item-11, S-26775.
Central Scientific Co., Cat. J-300, p. 482, Item No. 53330, Scapel Blade.

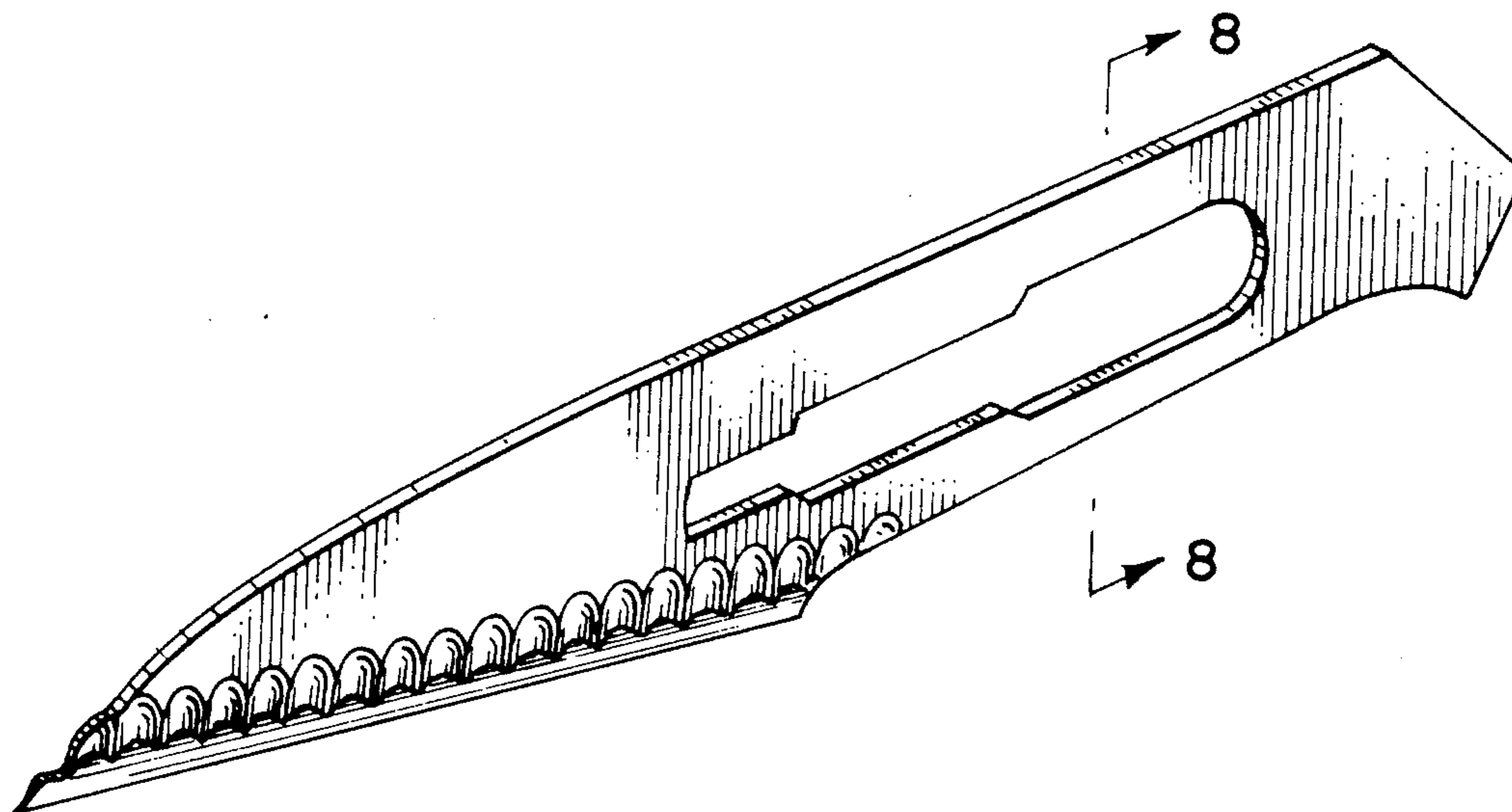
Primary Examiner—Bernard Ansher
Attorney, Agent, or Firm—V. M. Creedon

[57] **CLAIM**

The ornamental design for a blade for a surgical knife, as shown and described.

DESCRIPTION

FIG. 1 is a side elevation view of the blade for a surgical knife showing the new design;
FIG. 2 is a side elevation view of the opposite side thereof;
FIG. 3 is a top plan view thereof;
FIG. 4 is a bottom plan view thereof;
FIG. 5 is a front end elevation view thereof;
FIG. 6 is a rear end elevation view thereof;
FIG. 7 is a perspective view thereof; and
FIG. 8 is a section taken along line 8—8 of FIG. 7.
The characteristic features of my design reside in the specific configuration of a series of longitudinal corrugations spaced inwardly from the cutting edge of the blade.



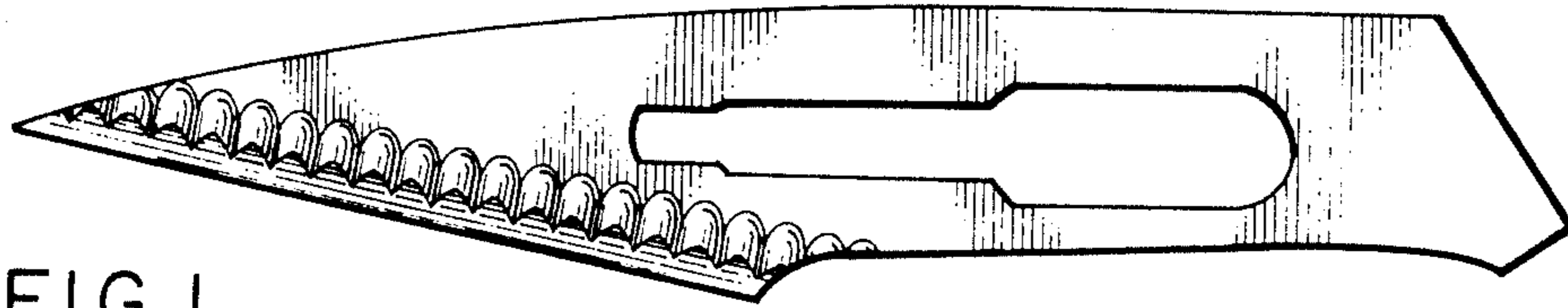


FIG. 1

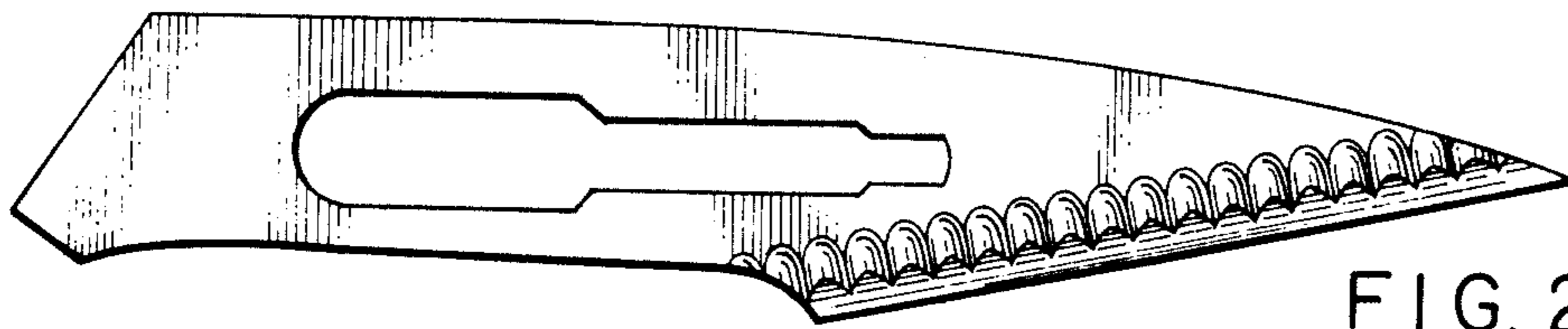


FIG. 2



FIG. 5



FIG. 3



FIG. 4

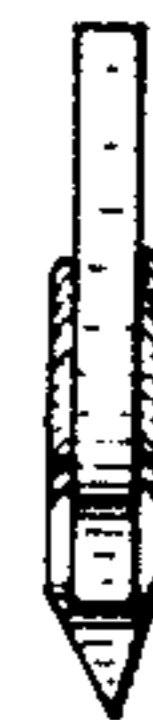


FIG. 6

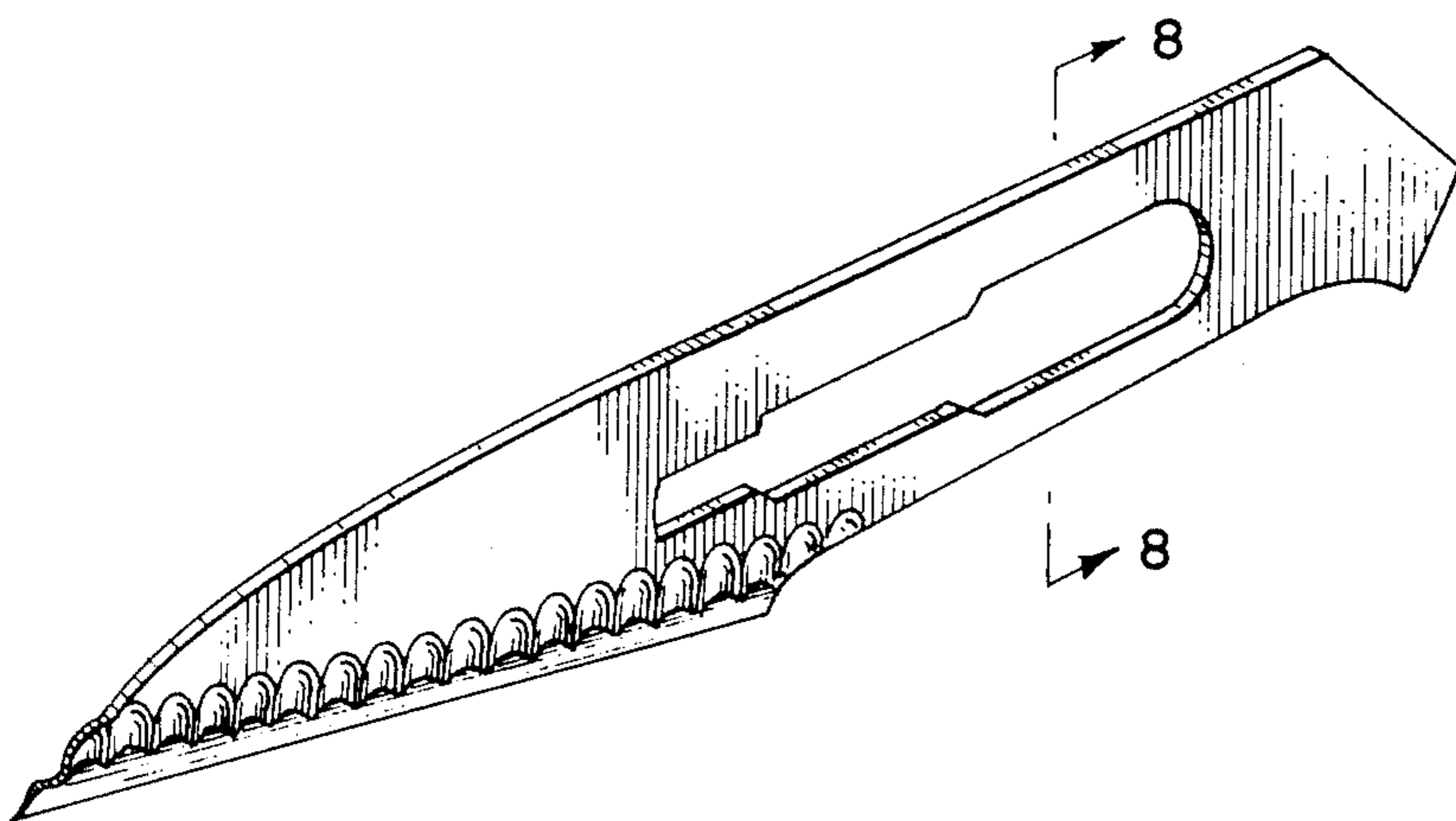


FIG. 7



FIG. 8