

[54] PHOTO ADAPTER MICROSCOPE ACCESSORY

[75] Inventors: Richard E. Feinbloom, New York; Laszlo Endrodi, Elmhurst, both of N.Y.

[73] Assignee: Designs for Vision, Inc., New York, N.Y.

[**] Term: 14 Years

[21] Appl. No.: 693,633

[22] Filed: Jun. 7, 1976

[51] Int. Cl. D16-05

[52] U.S. Cl. D16/38; D16/48

[58] Field of Search 350/19, 286, 287; 354/60 R, 60 L; D16/38, 48; 351/14

[56]

References Cited

U.S. PATENT DOCUMENTS

3,798,665	3/1974	Eloranta et al.	350/19
3,944,342	3/1976	Martinez	350/19 X
3,981,021	9/1976	Beecher	350/19 X
3,999,195	12/1976	Little	350/19 X

Primary Examiner—Bernard Ansher
Attorney, Agent, or Firm—Arthur L. Plevy

[57]

CLAIM

The ornamental design for a photo adapter microscope accessory.

DESCRIPTION

FIG. 1 is a side view of a photo adaptor microscope accessory showing our new design; FIG. 2 is a view of the opposite side; FIG. 3 is a front view thereof; FIG. 4 is a rear view thereof; FIG. 5 is a top plan view; and FIG. 6 is a bottom plan view.

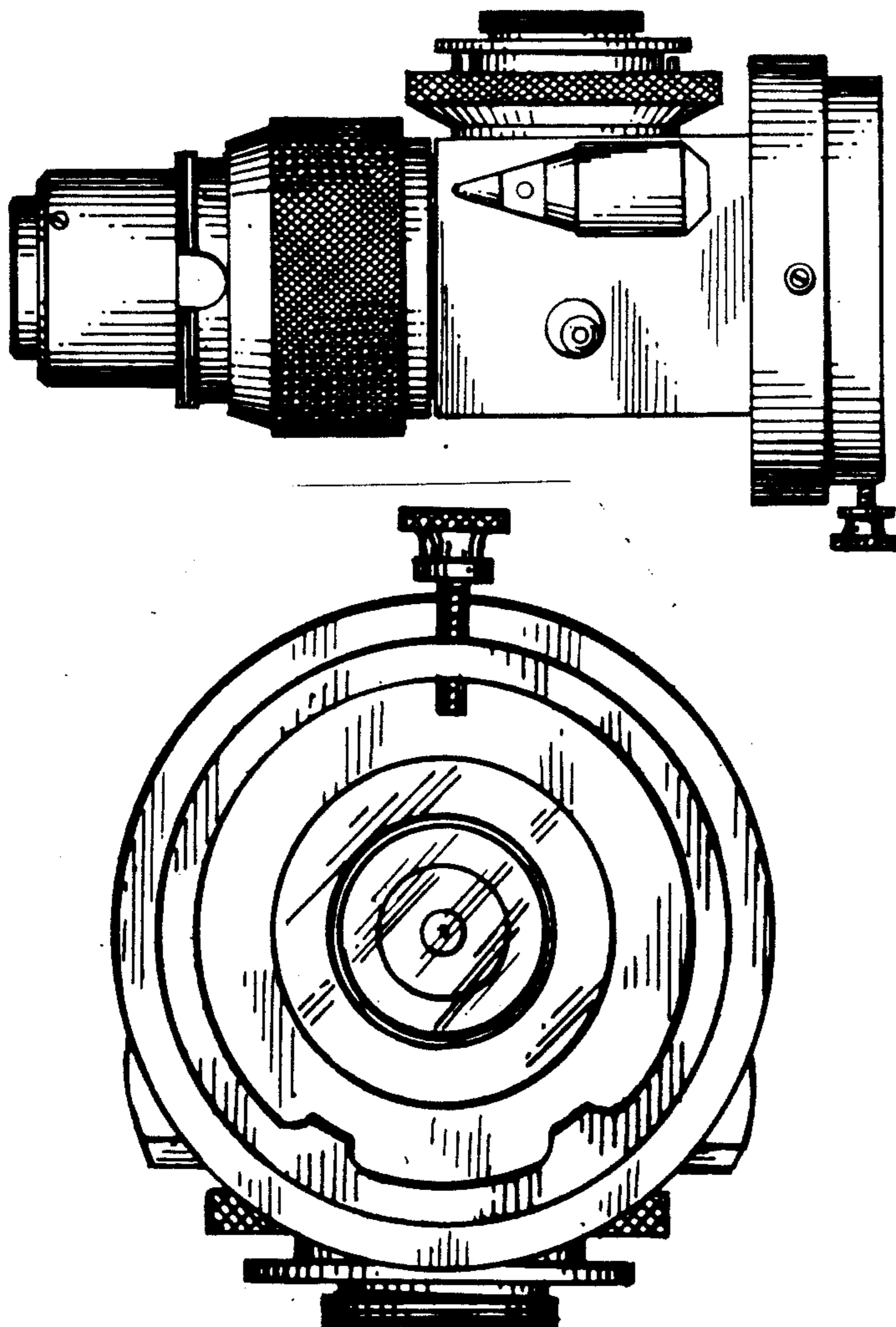


Fig. 1.

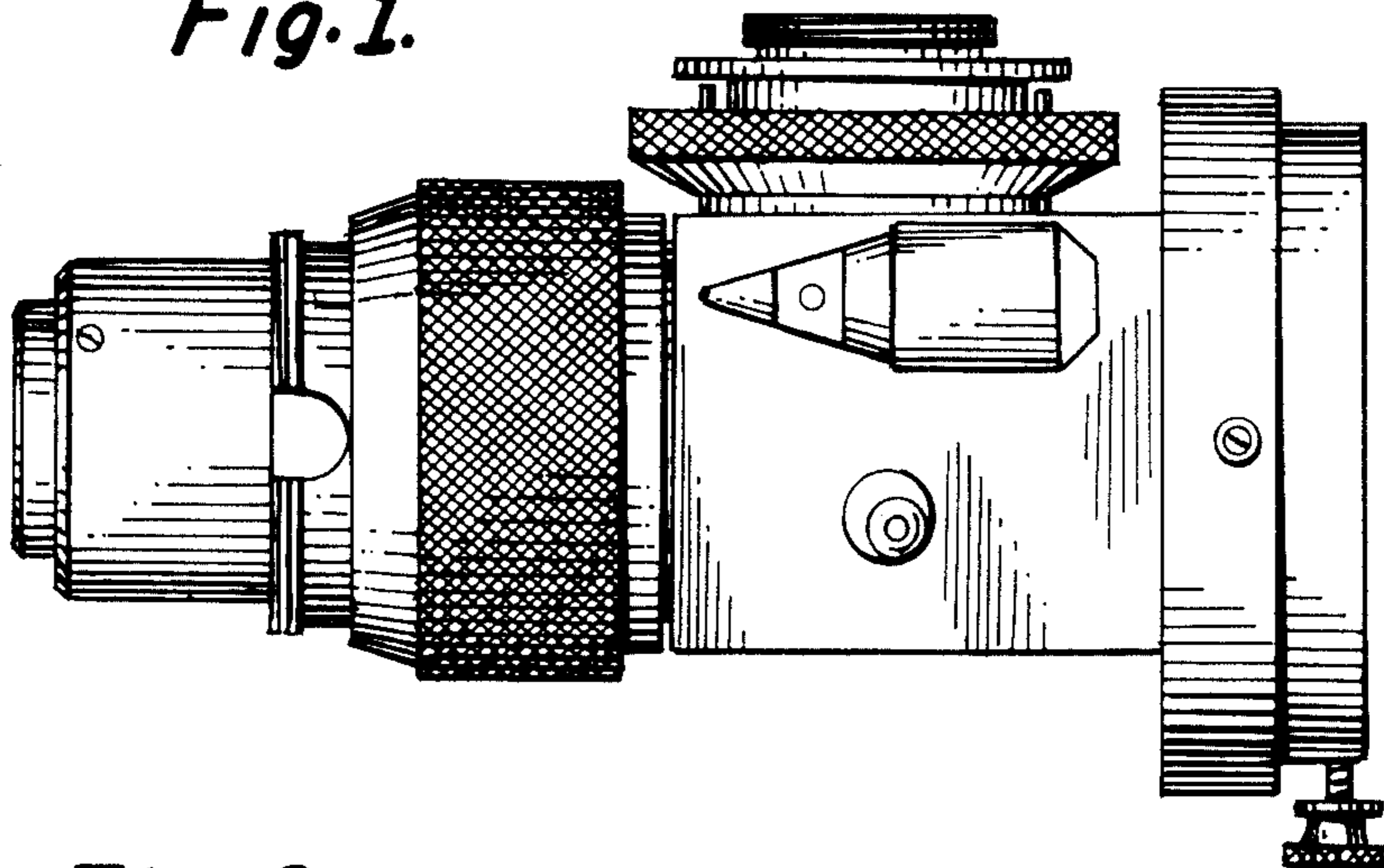


Fig. 2.

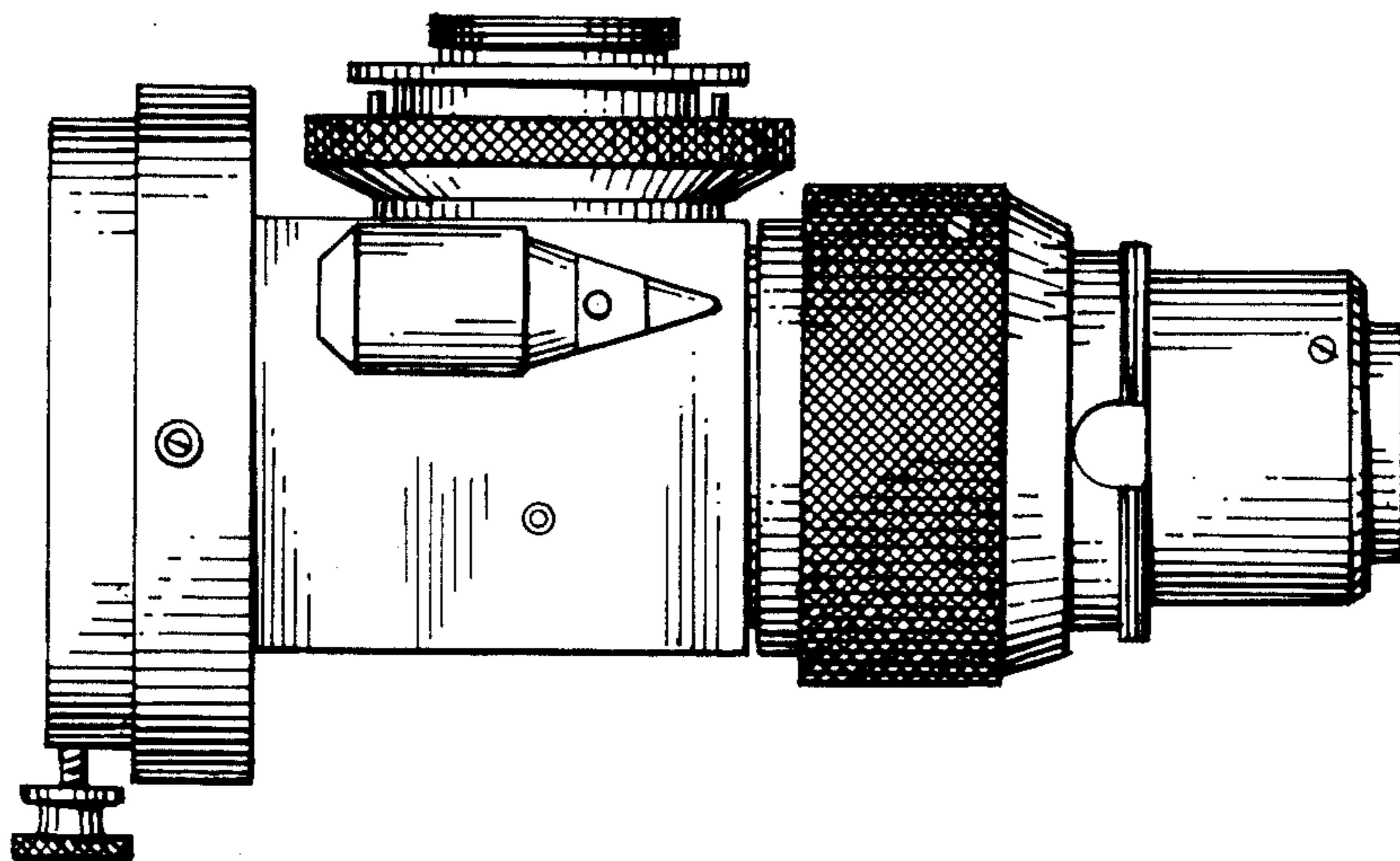


Fig. 3.

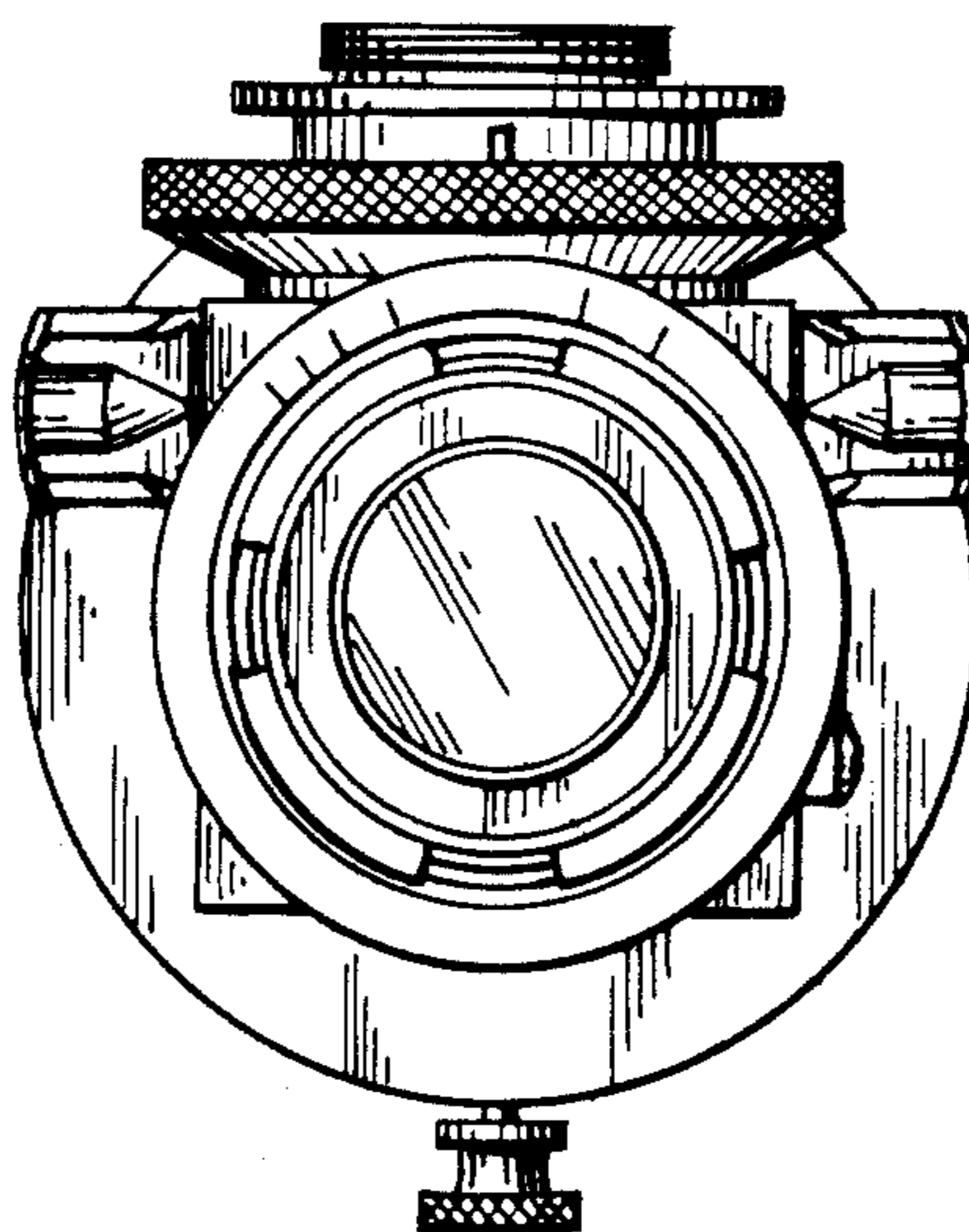


Fig.4.

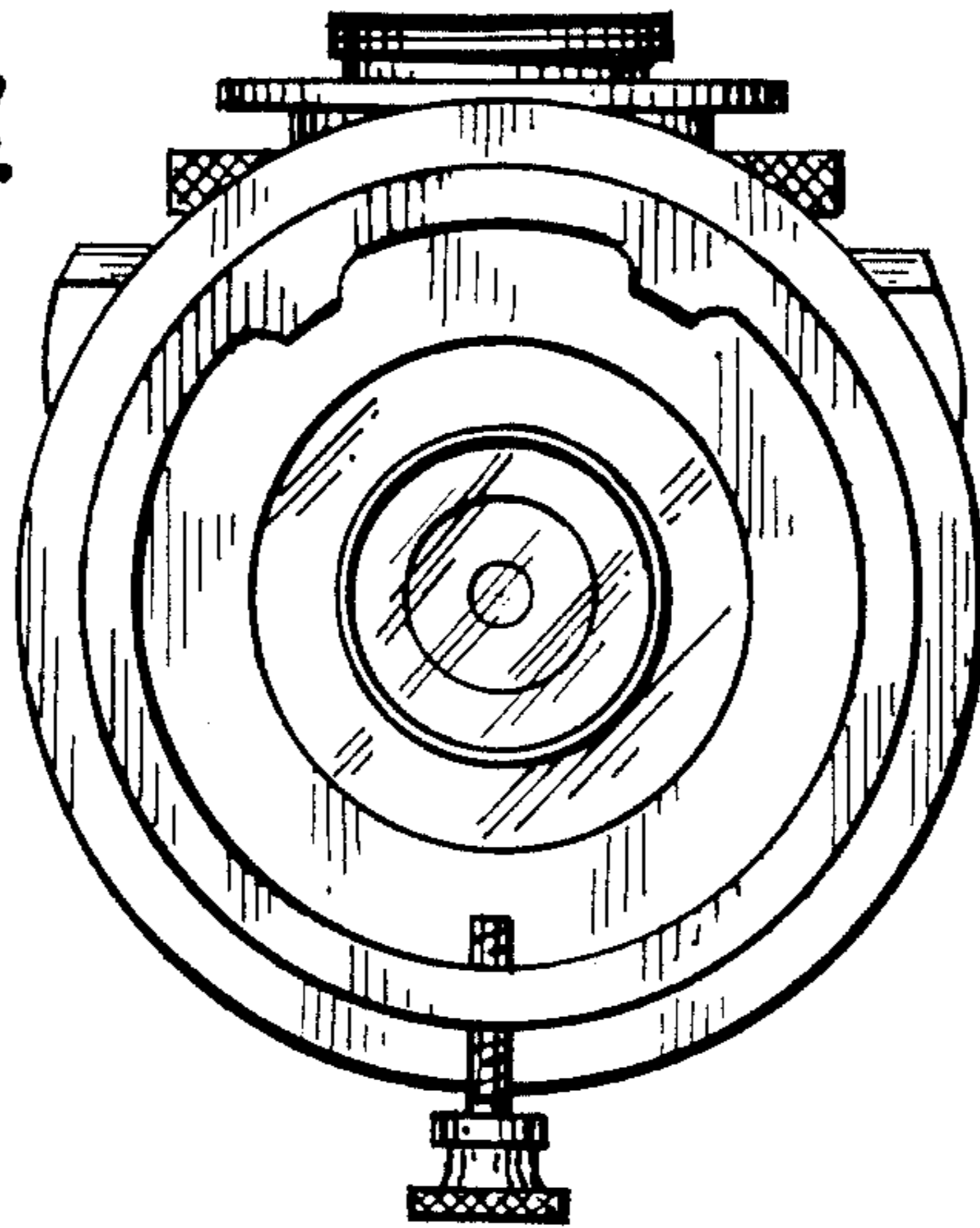


Fig.5.

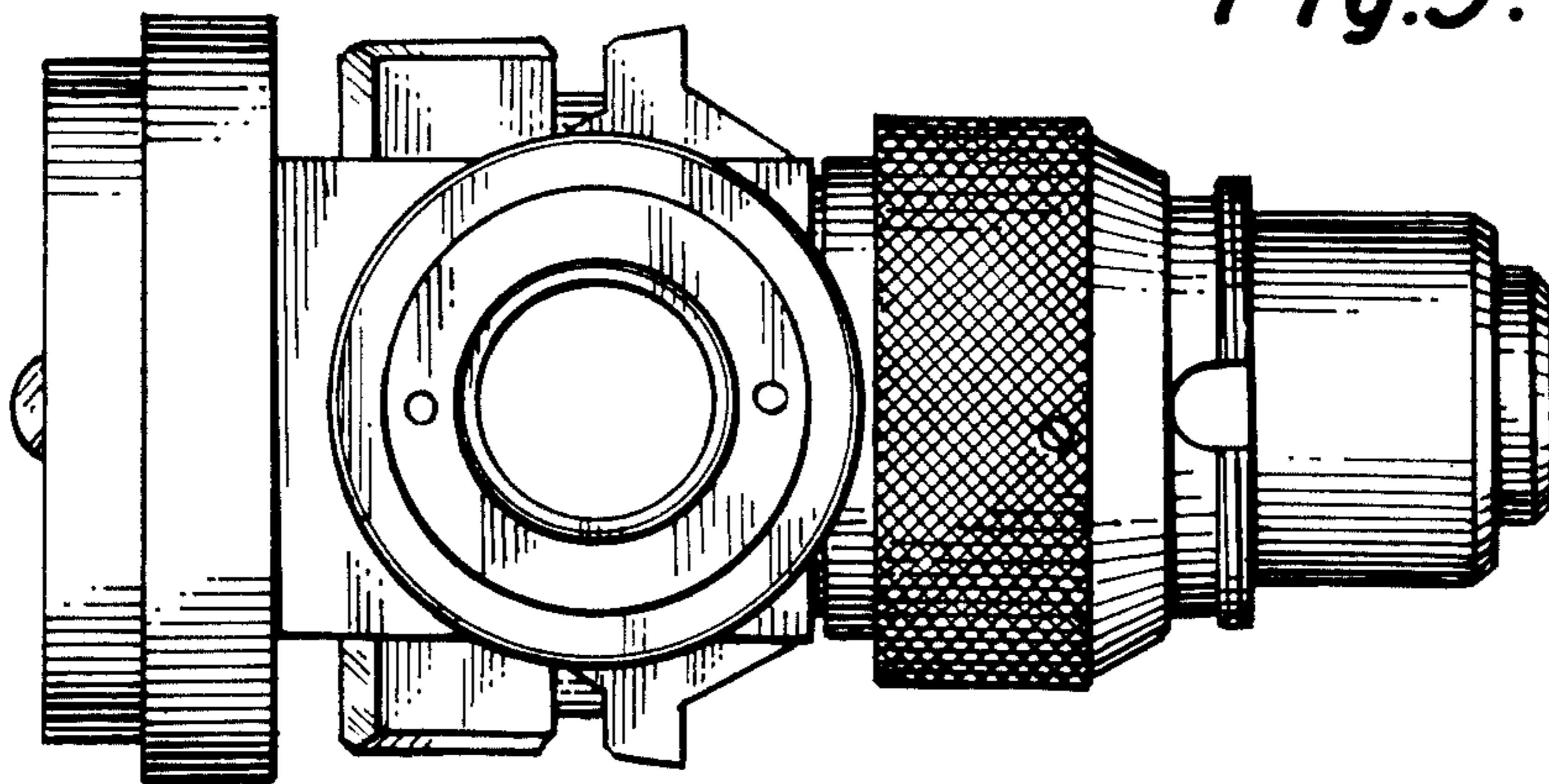


Fig.6.

