

[54] **ELECTRODE FRAME FOR USE IN AN ELECTROLYTIC FILTER PRESS CELL APPARATUS OR THE LIKE**

[75] Inventors: **Gary C. Ganzi**, Watertown; **Kenneth O'Donoghue**, Cambridge; **Anil D. Jha**, Littleton, all of Mass.

[73] Assignee: **Ionics, Inc.**, Watertown, Mass.

[\*\*] Term: **14 Years**

[21] Appl. No.: **688,431**

[22] Filed: **May 19, 1976**

[51] Int. Cl. .... **D13-03**

[52] U.S. Cl. .... **D13/40**

[58] Field of Search ..... **D13/40, 12, 21, 99; 204/242, 252, 258, 266, 278, 286, 288, 279, 297**

**R**

[56] **References Cited**

**U.S. PATENT DOCUMENTS**

3,415,733	12/1968	Koch et al. ....	204/279
3,855,104	12/1974	Messner .....	204/266 X
3,960,698	6/1976	Bortak .....	204/279 X

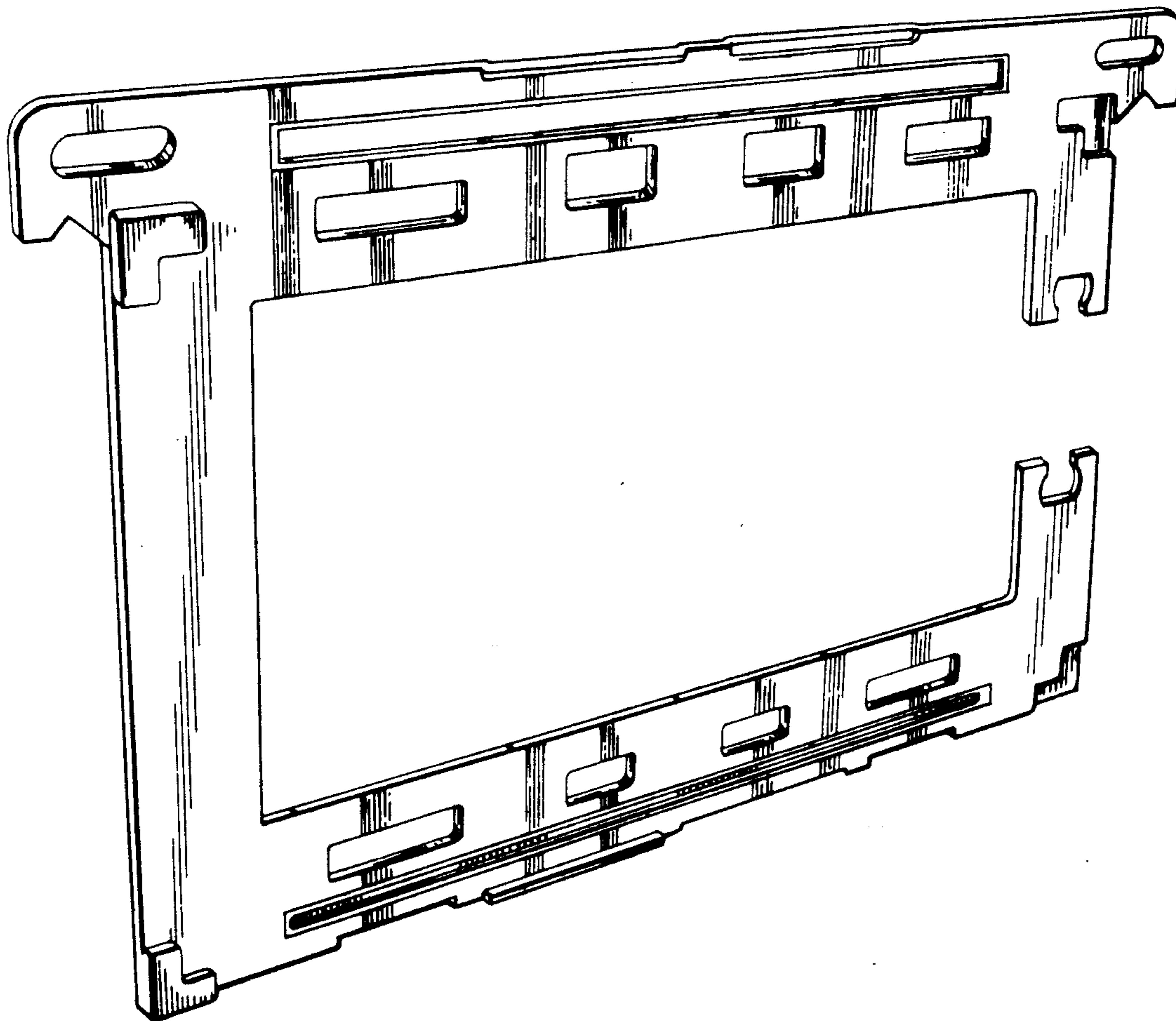
*Primary Examiner*—Susan J. Lucas  
*Attorney, Agent, or Firm*—Norman E. Saliba

[57] **CLAIM**

The ornamental design for a electrode frame for use in an electrolytic filter press cell apparatus or the like, substantially as shown.

**DESCRIPTION**

FIG. 1 is a front perspective view of an electrode frame for use in an electrolytic filter press cell apparatus on the like showing our new design; FIG. 2 is a rear perspective view; FIG. 3 is a top plan view; FIG. 4 is a bottom plan view; FIG. 5 is a left end elevational view of FIG. 2; and FIG. 6 is a right end elevational view.



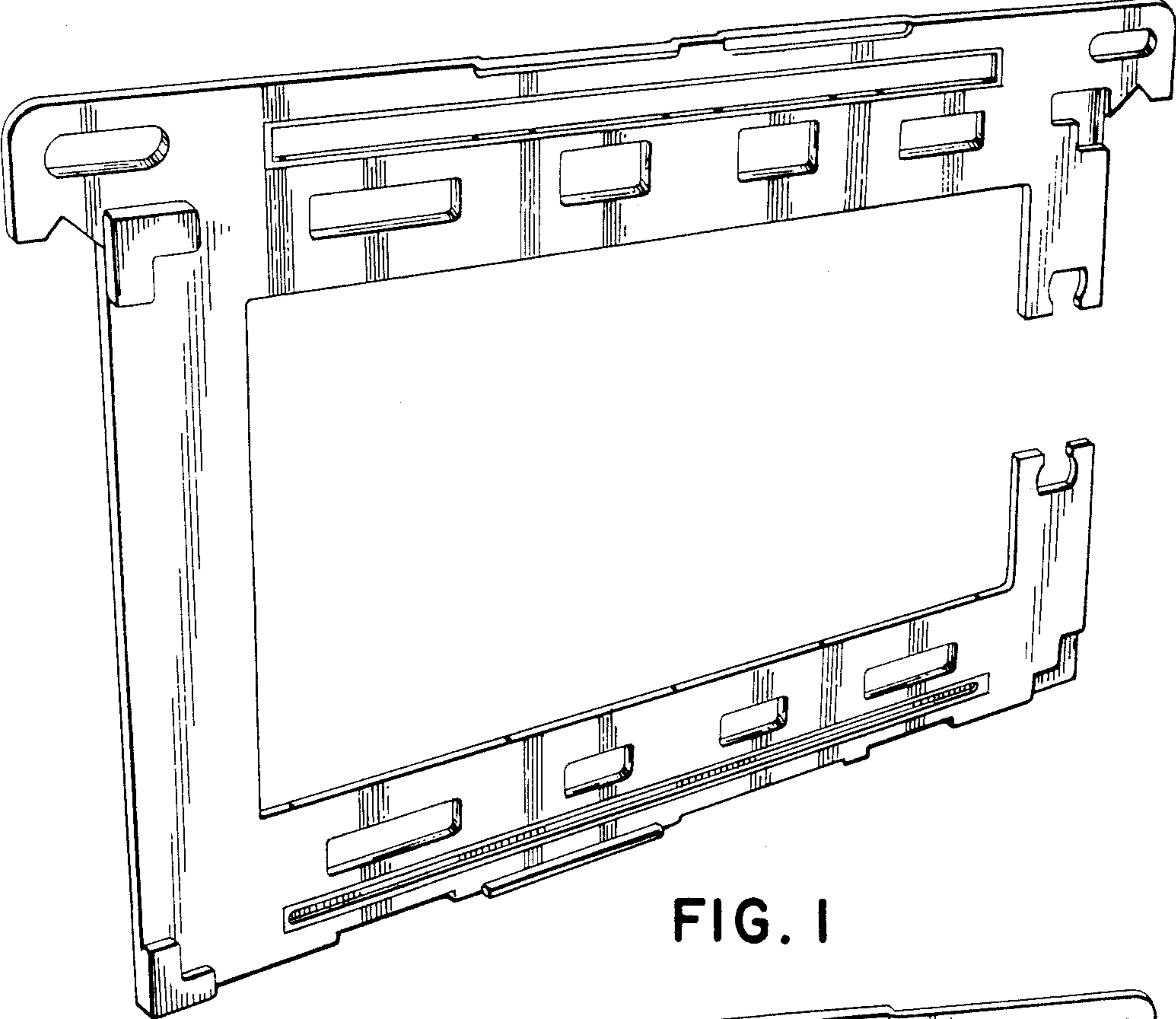


FIG. 1

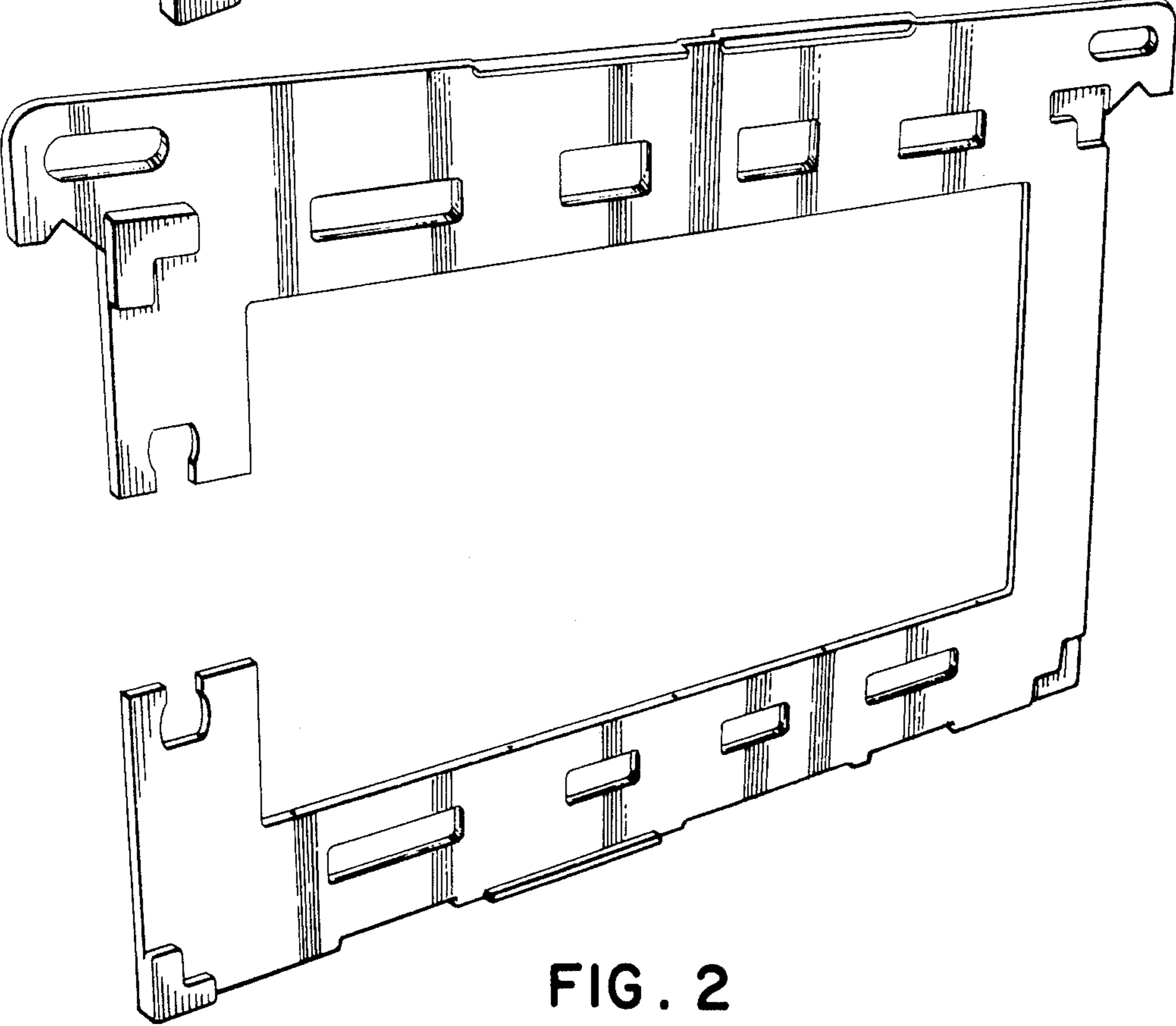


FIG. 2

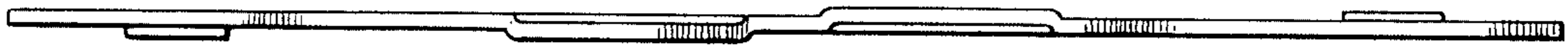


FIG. 3

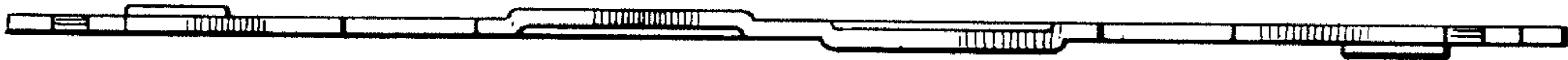


FIG. 4



FIG. 5



FIG. 6