

[54] PLANT POT

[75] Inventors: Saburo Yoshida, Hayward, Calif.; Harold R. Appelblom, deceased, late of South San Francisco, Calif., by Mae H. Appelblom, administratrix San Mateo, Calif.

[73] Assignee: Sunnyside Nurseries, Inc., Hayward, Calif.

[**] Term: 14 Years

[21] Appl. No.: 800,471

[22] Filed: May 25, 1977

[51] Int. Cl. D11-02

[52] U.S. Cl. D11/152

[58] Field of Search D6/85, 113, 114, 137, D6/182, 183; D11/117, 121, 141-156; 47/25, 33, 41 R, 41 SS, 41.11, 47, 66-69, 72, 85-87

[56] References Cited

U.S. PATENT DOCUMENTS

D. 241,453 9/1976 Schwartzburg D11/152
2,045,189 6/1936 Judd 47/66

FOREIGN PATENT DOCUMENTS

2,233,146 1/1974 Germany 47/66

OTHER PUBLICATIONS

American Home, 7/1958, p. 91, cachepot (2nd in left column).

Primary Examiner—Wallace R. Burke

Assistant Examiner—B. J. Bullock

Attorney, Agent, or Firm—James R. Cypher

[57] CLAIM

The ornamental design for a plant pot, as shown.

DESCRIPTION

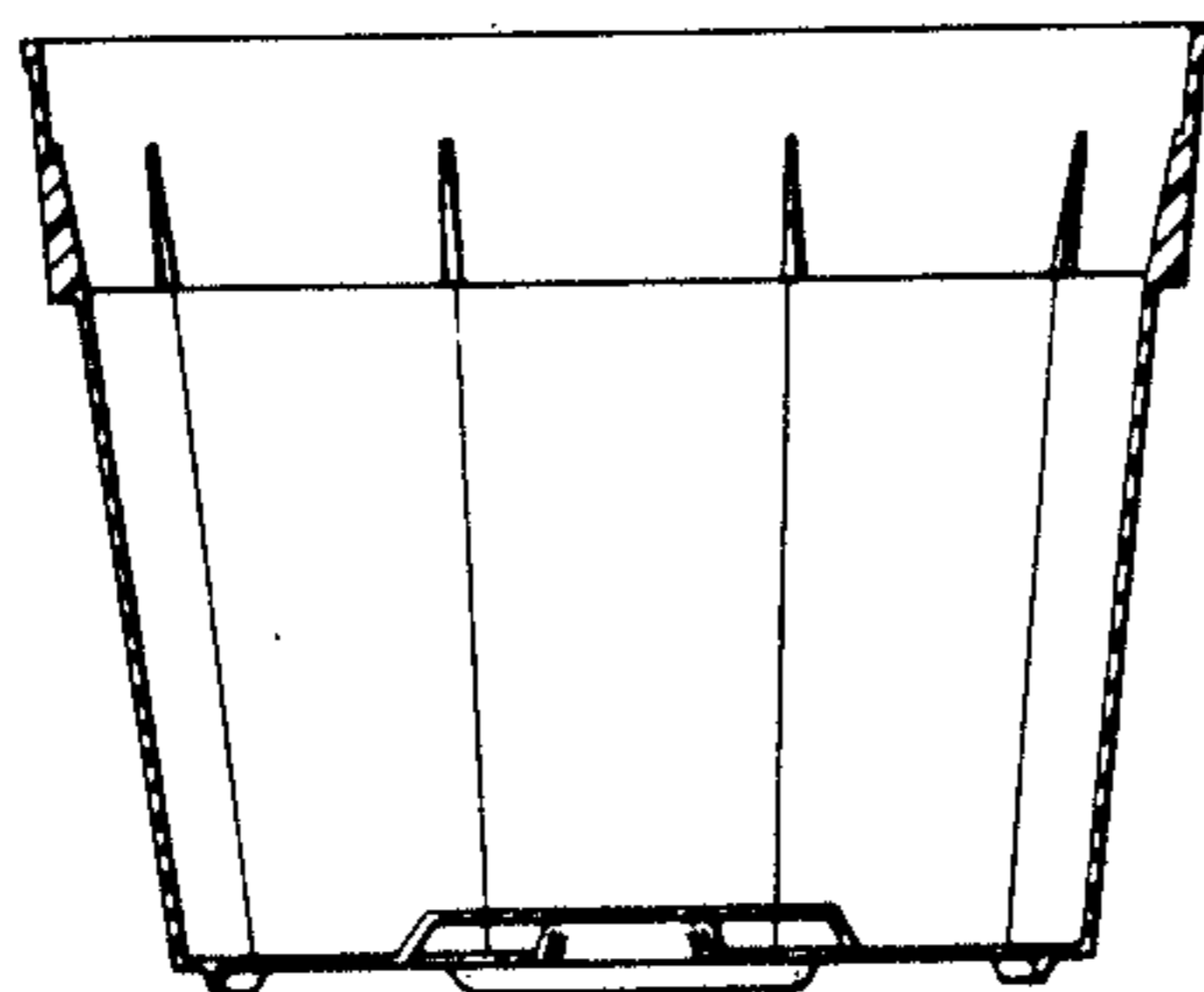
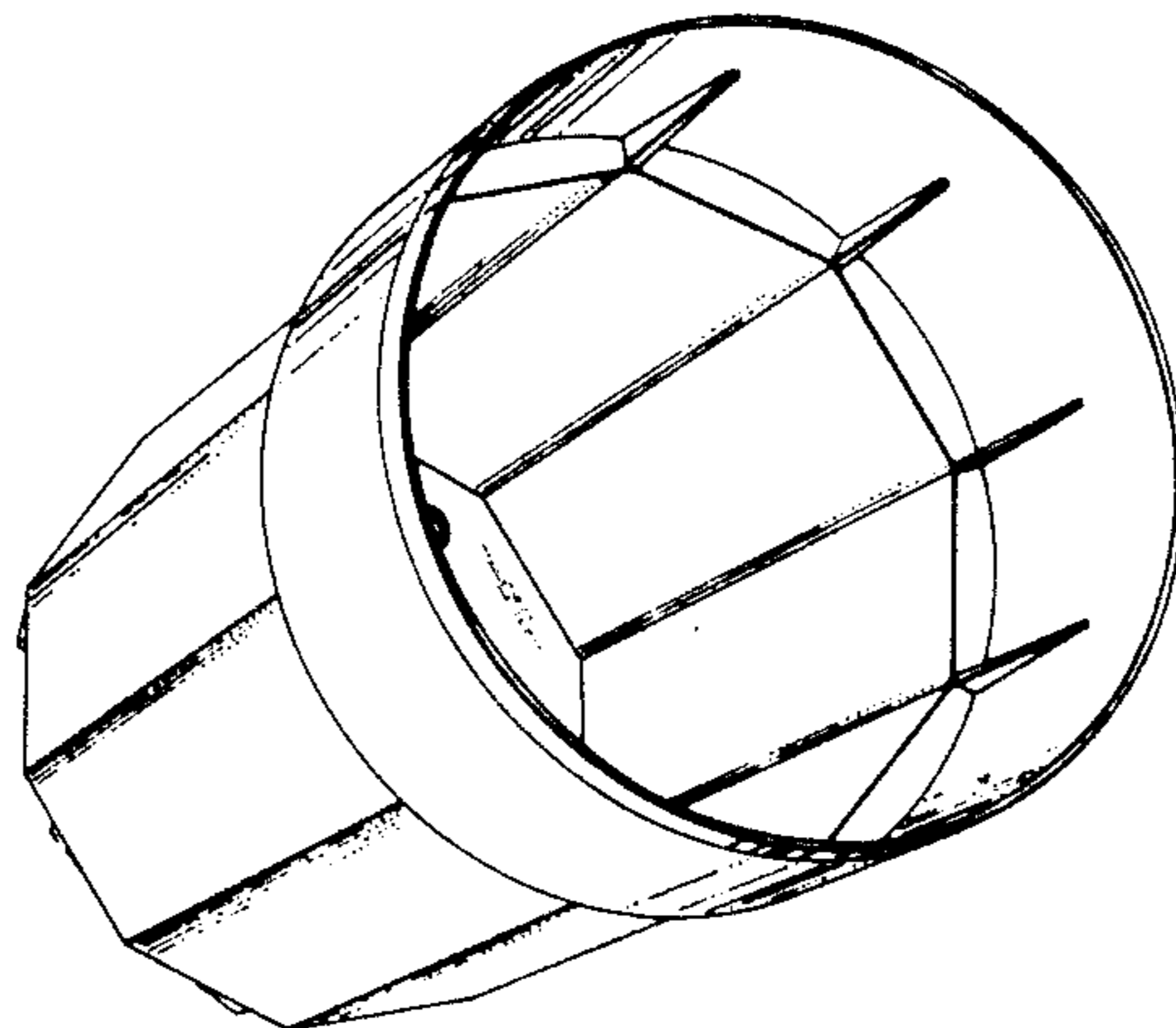
FIG. 1 is a perspective view of the plant pot showing the new design;

FIG. 2 is a side elevation view of the new design;

FIG. 3 is a top plan view of the new design;

FIG. 4 is a bottom plan view of the new design; and

FIG. 5 is a cross sectional view of the new design taken along line 5-5 of FIG. 3.



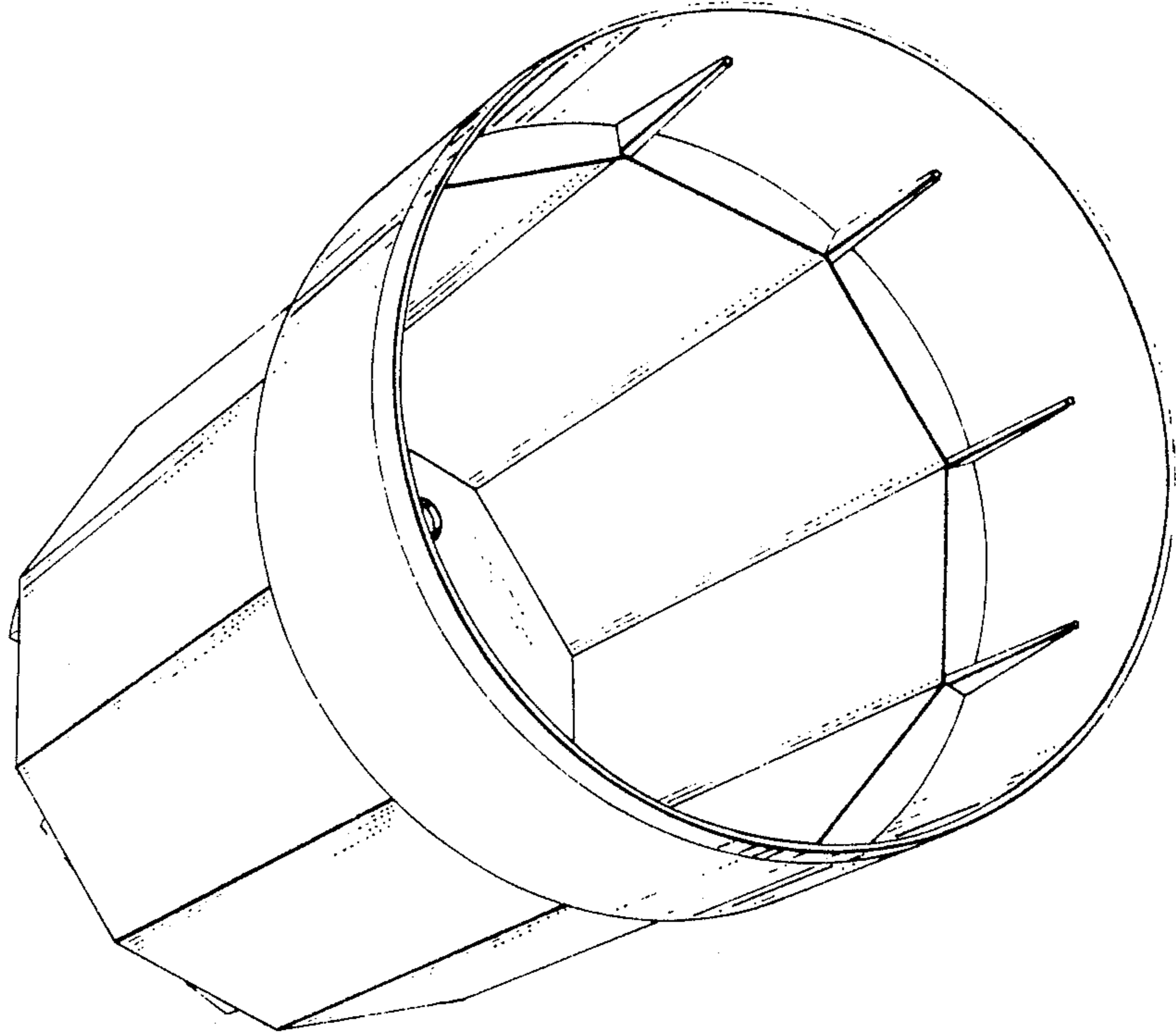


FIG. 1

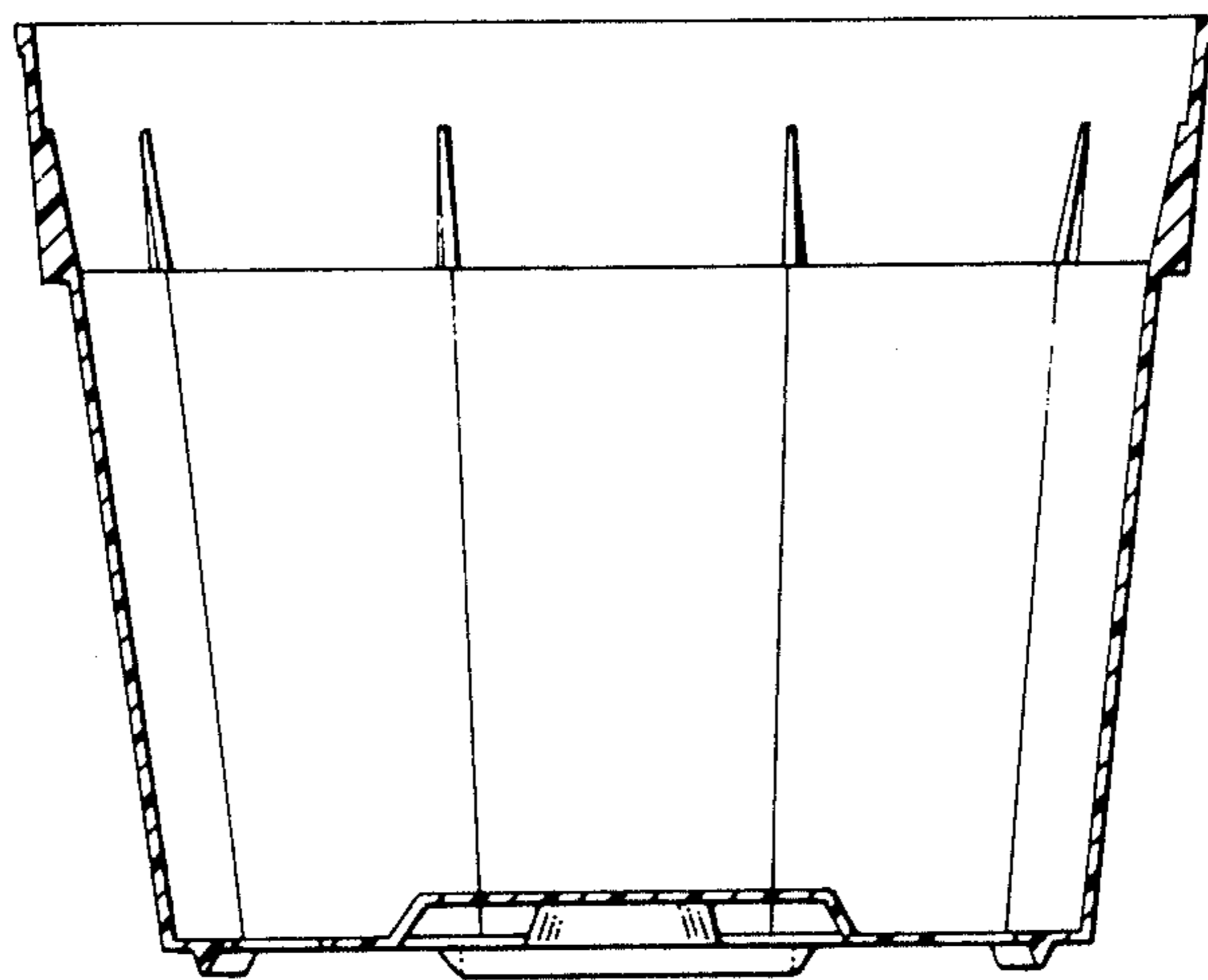


FIG. 5

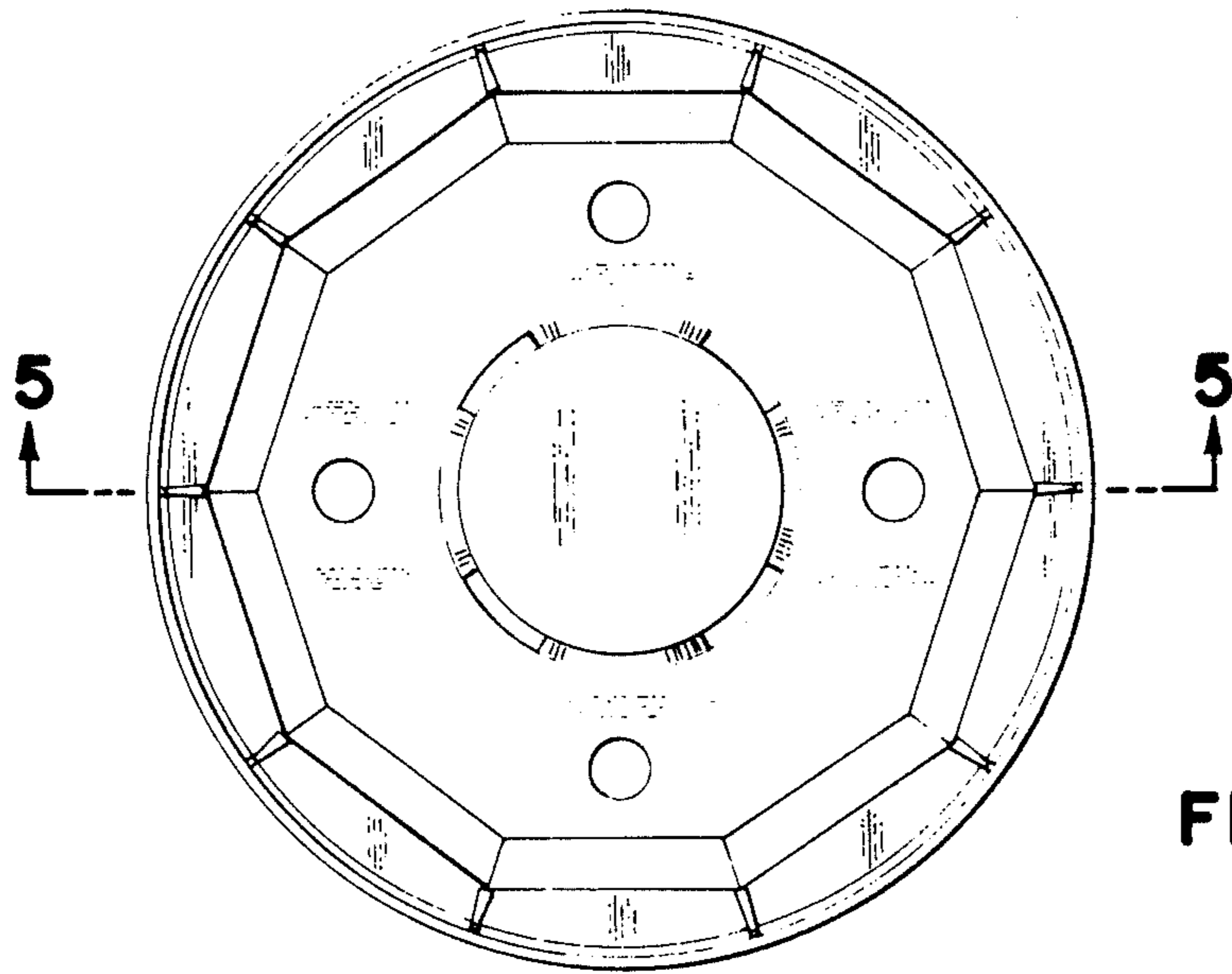


FIG. 3

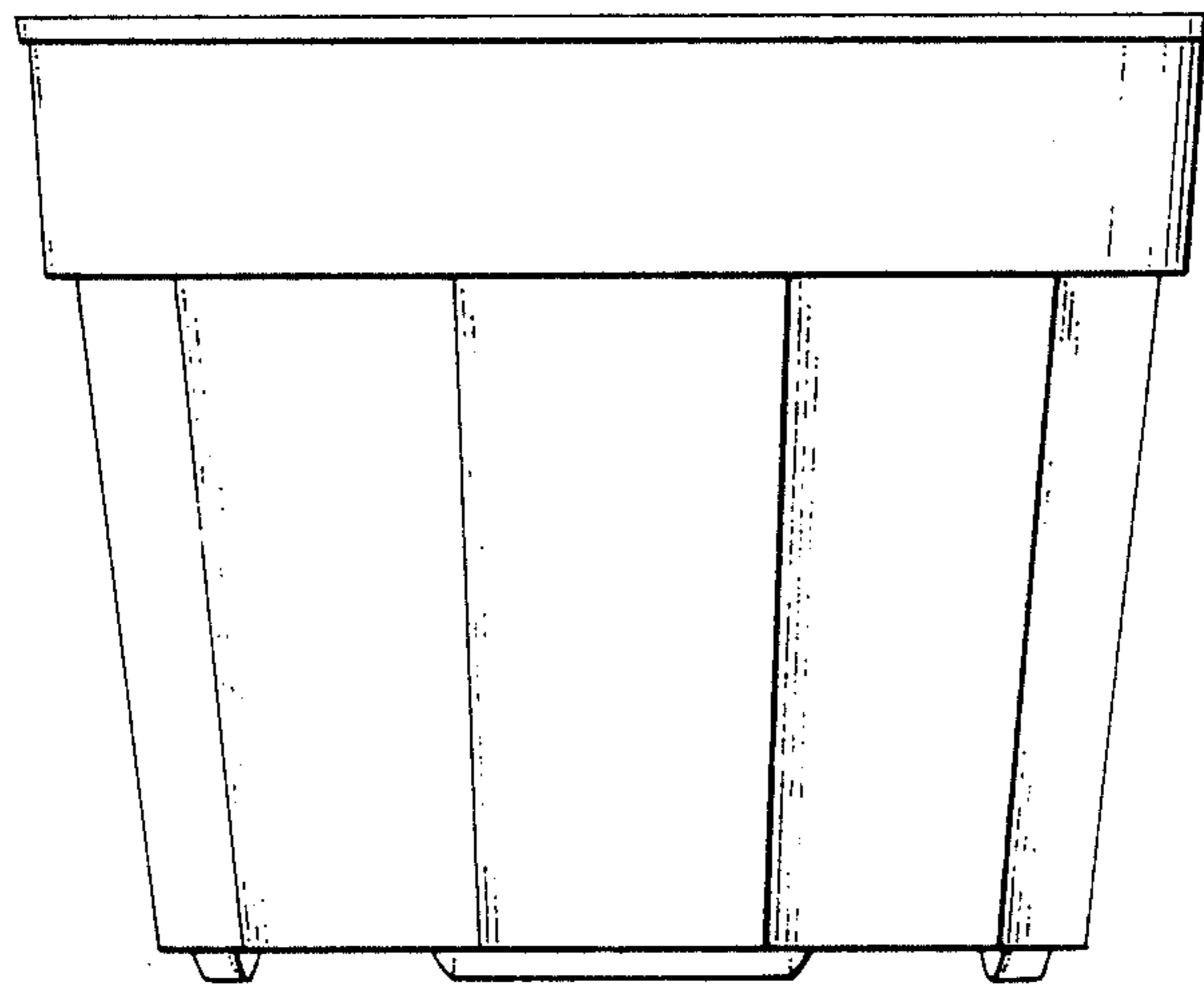


FIG. 2

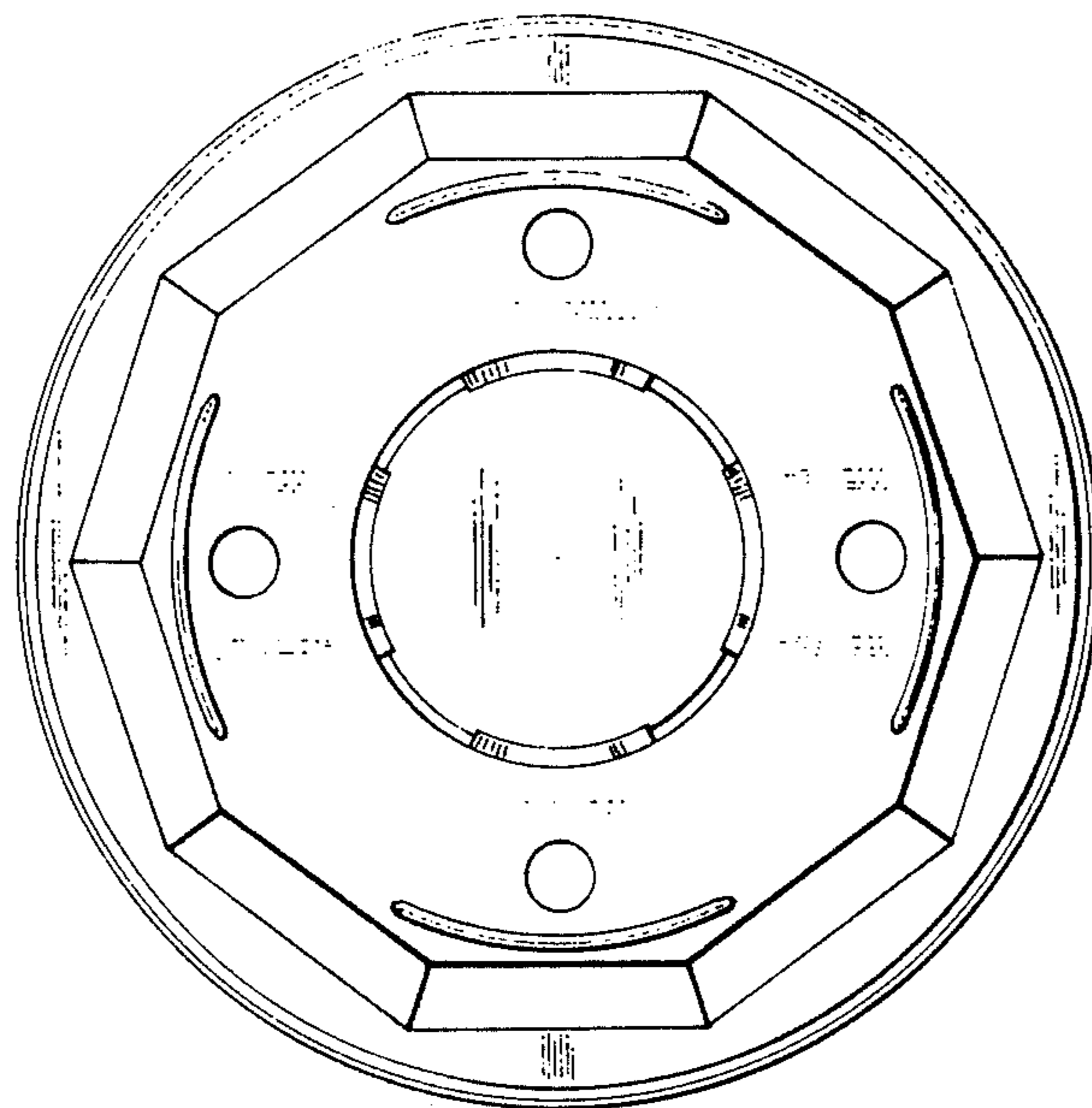


FIG. 4