

[54] ELECTRIC BUZZER

[75] Inventor: Rudolph M. Duris, Norwalk, Conn.

[73] Assignee: General Signal Corporation

[**] Term: 14 Years

[21] Appl. No.: 685,206

[22] Filed: May 11, 1976

[51] Int. Cl. D10-06

[52] U.S. Cl. D10/116

[58] Field of Search D10/116, 118, 119, 120;
340/384 R, 384 E, 393, 400, 401, 405

[56] References Cited

U.S. PATENT DOCUMENTS

3,938,141 2/1976 Neuhof 340/384 R

3,974,499 8/1976 Shigemori 340/384 R X

Primary Examiner—Susan J. Lucas
Attorney, Agent, or Firm—Milton E. Kleinman

[57] CLAIM

The ornamental design for electric buzzer, as shown and described.

DESCRIPTION

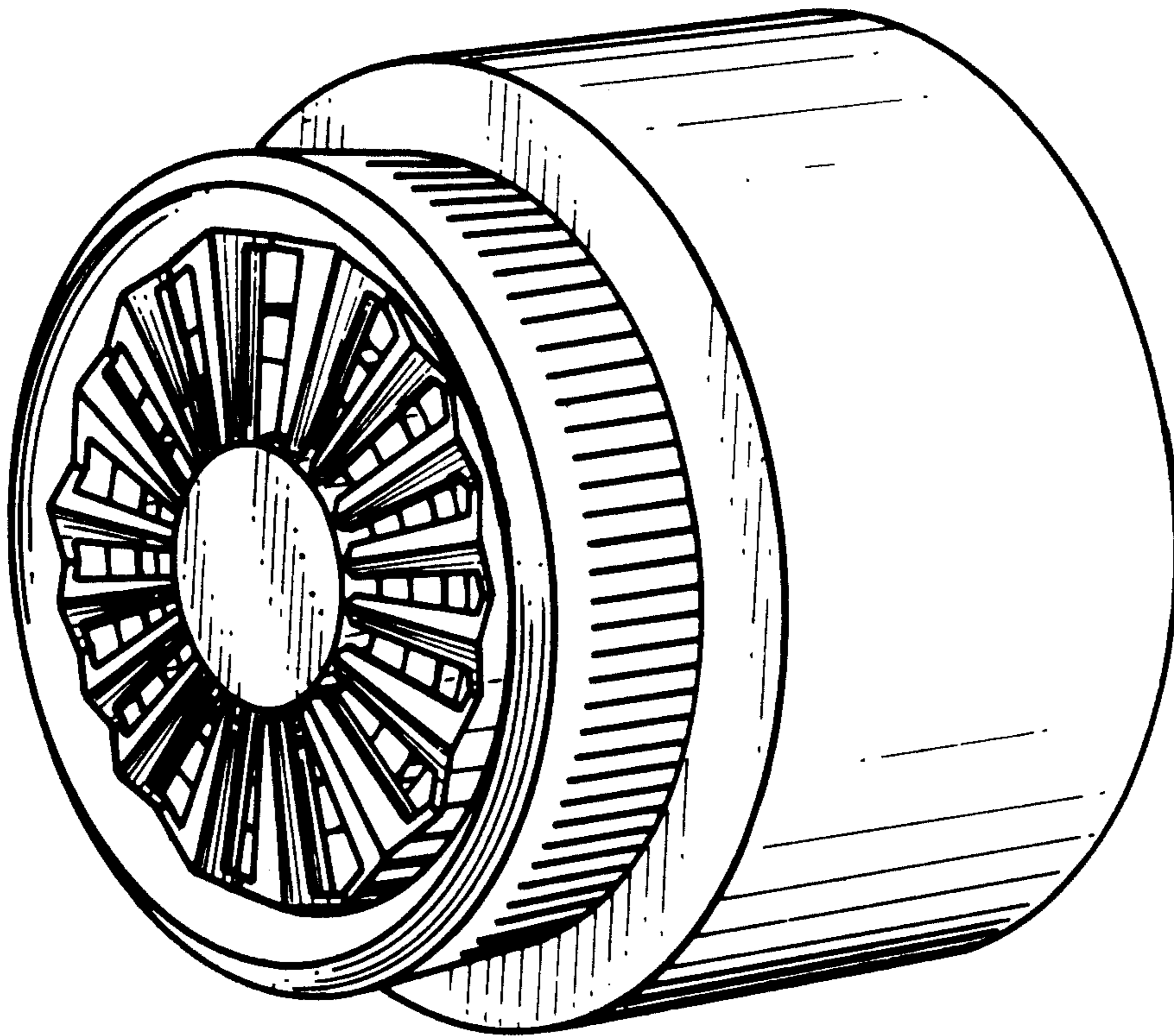
FIG. 1 is a front view of the electric buzzer showing the new design;

FIG. 2 is a side elevation as seen from any one of the four sides of the electric buzzer.

FIG. 3 is a perspective view of the electric buzzer.

A panel surface is fragmentarily shown in broken lines in FIG. 2 for illustration purposes only.

The rear view of the electric buzzer is flat and unornamental.



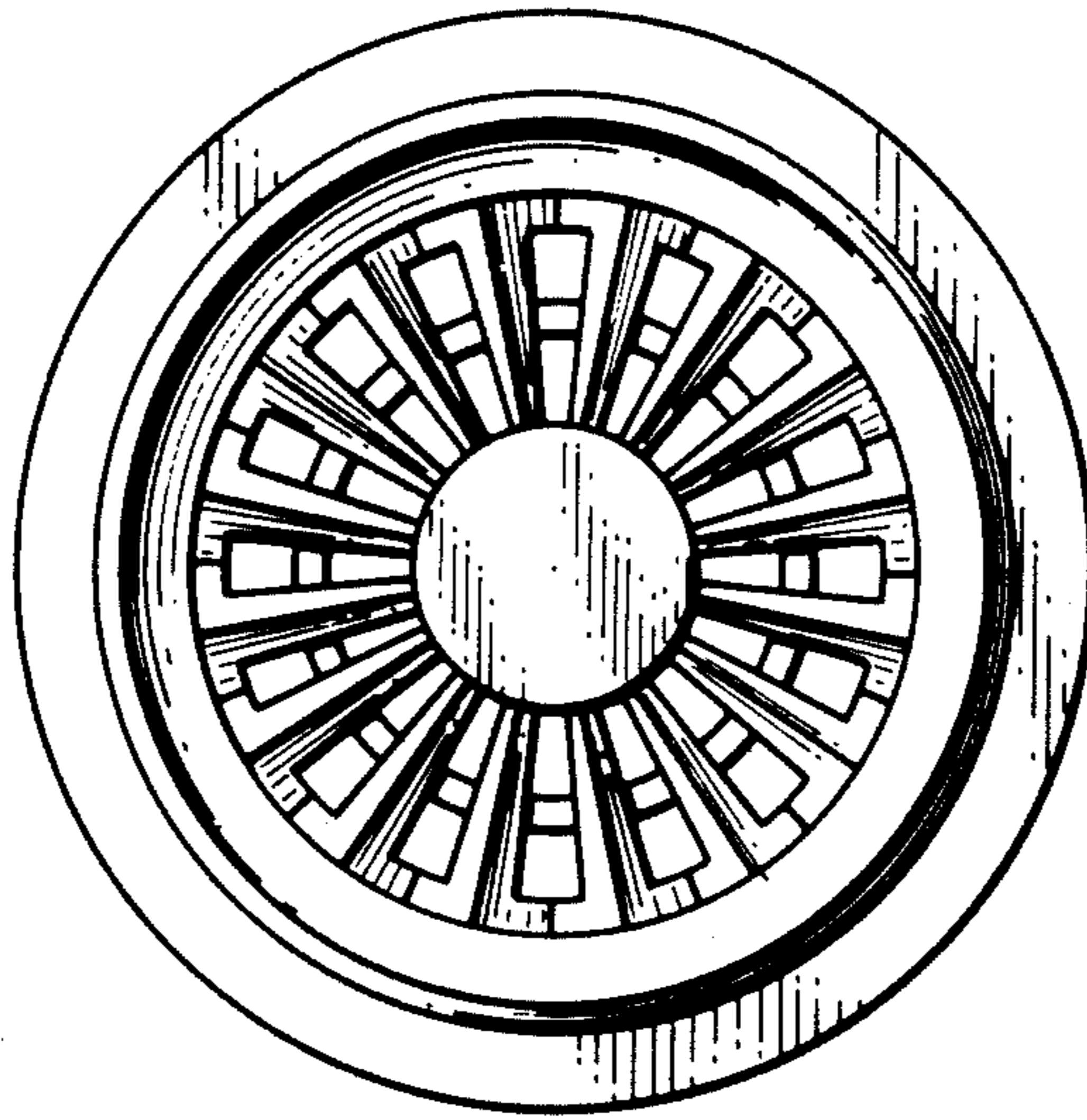


FIG. 1

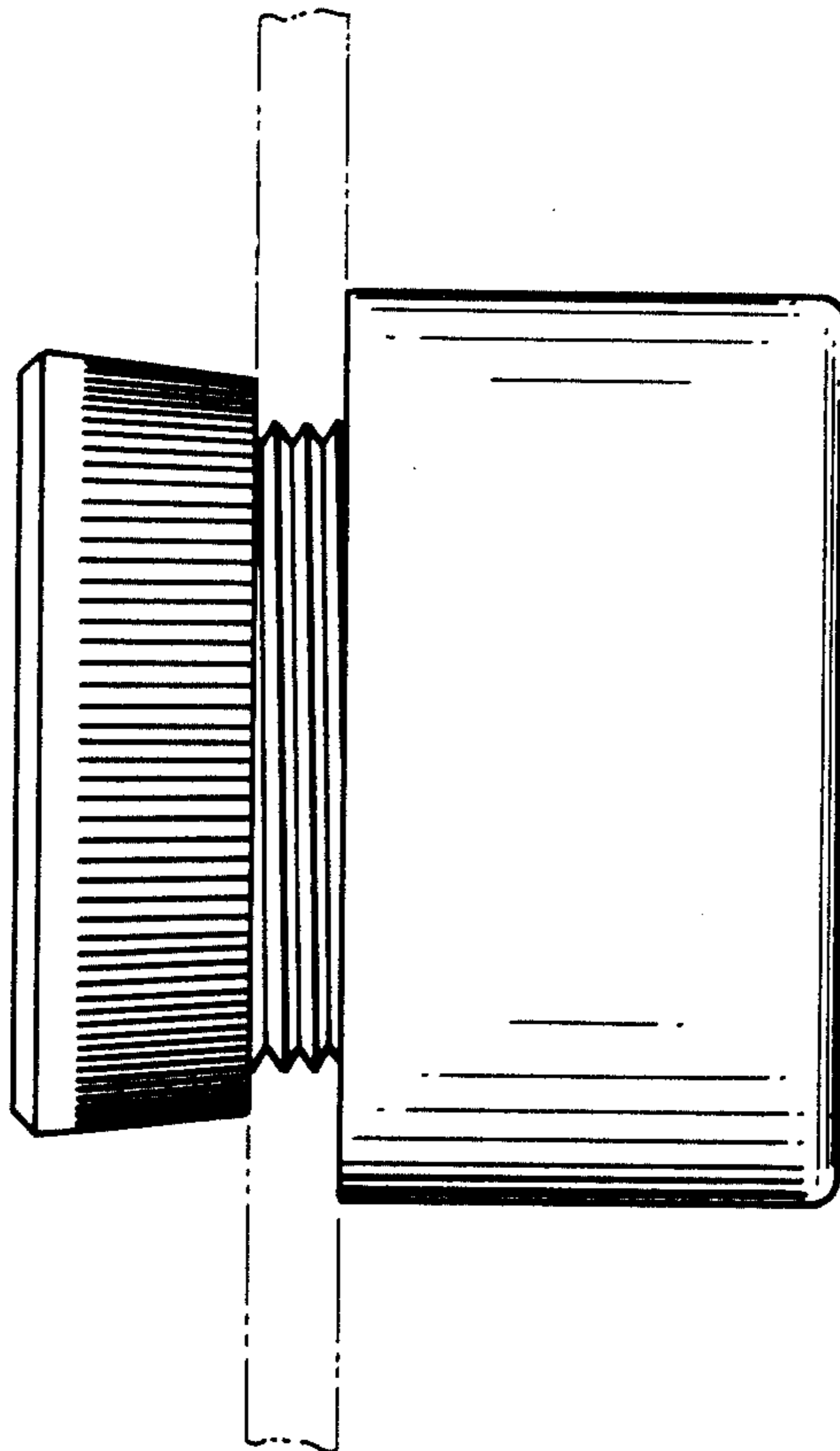


FIG. 2

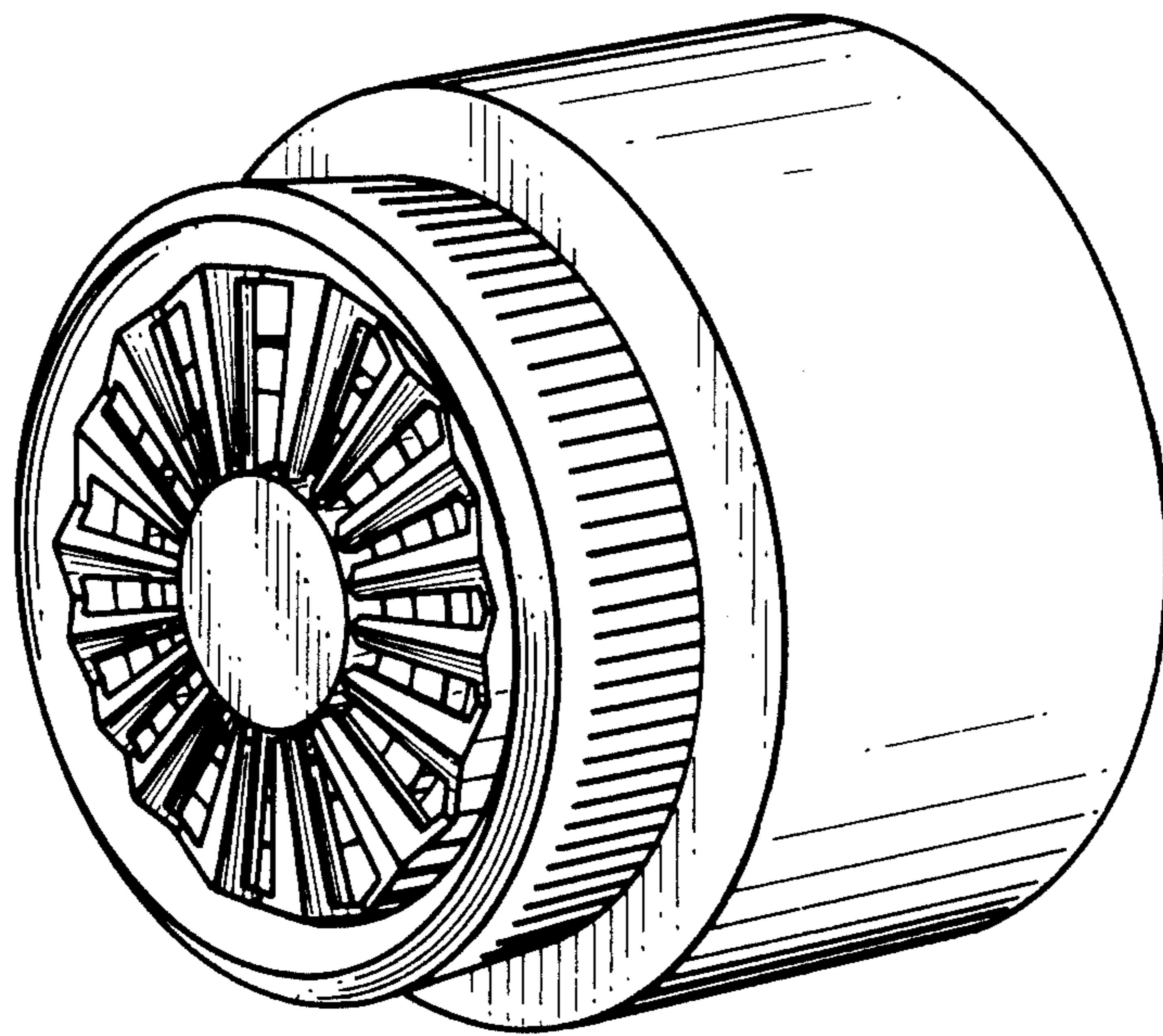


FIG. 3