

[54] MOTOR TIMER

3,823,547 7/1974 Hulterstrum ..... D10/40

[75] Inventors: Teizo Fujita; Toshiro Ohashi, both of Osaka, Japan

OTHER PUBLICATIONS

Industrial Design-5/71-p. 67-Timer #131 at right.

[73] Assignee: Izumi Denki Company Limited, Osaka, Japan

Primary Examiner—Nelson C. Holtje  
Attorney, Agent, or Firm—Eric H. Waters

[\*\*] Term: 14 Years

[57] CLAIM

[21] Appl. No.: 711,084

The ornamental design for a motor timer, as shown and described.

[22] Filed: Aug. 2, 1976

DESCRIPTION

[30] Foreign Application Priority Data

Apr. 5, 1976	Japan	51-12571
Apr. 5, 1976	Japan	51-12572
Apr. 5, 1976	Japan	51-12573
Apr. 5, 1976	Japan	51-12574

FIG. 1 is a front, top and right side perspective view of a motor timer showing our new design, FIG. 2 is a left side elevational view thereof, FIG. 3 is a rear elevational view thereof, FIG. 4 is a bottom plan view thereof, FIG. 5 is a front, top and right side perspective view of a second embodiment of our new design of FIGS. 1-4 wherein a modified knob has been substituted; FIG. 6 is a front, top and right side perspective view of a third embodiment of our new design of FIGS. 1-4 wherein a flash plate has been added behind the front panel; FIG. 7 is a left side elevational view thereof, FIG. 8 is a rear elevational view thereof, FIG. 9 is a bottom plan view thereof, and FIG. 10 is a front, and right side perspective view of a fourth embodiment of our new design of FIGS. 1-4 wherein a modified knob has been substituted and a flash panel added behind the front panel.

[51] Int. Cl. .... D10-03

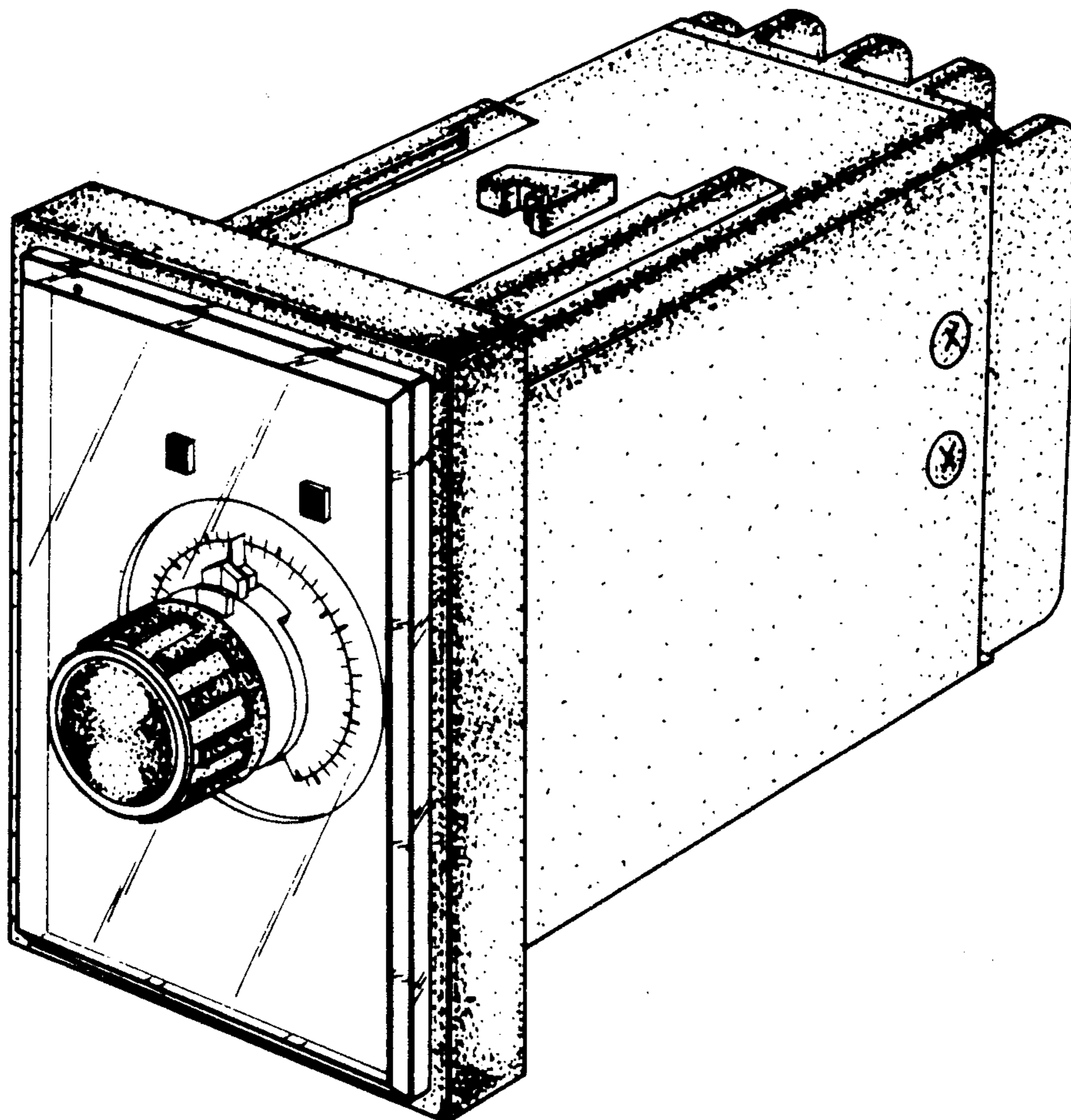
[52] U.S. Cl. .... D10/40

[58] Field of Search ..... D10/40, 100, 102; 58/152 R, 39.5, 126 R, 126 D, 38 R, 38 A, 34, 21.13; 200/38 R, 38 A, 38 F; 116/DIG. 6, 124.1 R, 124.1 A, 124.2 R, 124.2 A, 124.3

[56] References Cited

U.S. PATENT DOCUMENTS

D. 189,917	3/1961	Weaver	D10/40
D. 218,707	9/1970	Di Pinto	D10/124
D. 235,008	4/1975	Ishikawa	D10/40
3,713,285	1/1973	Haufe	58/39.5



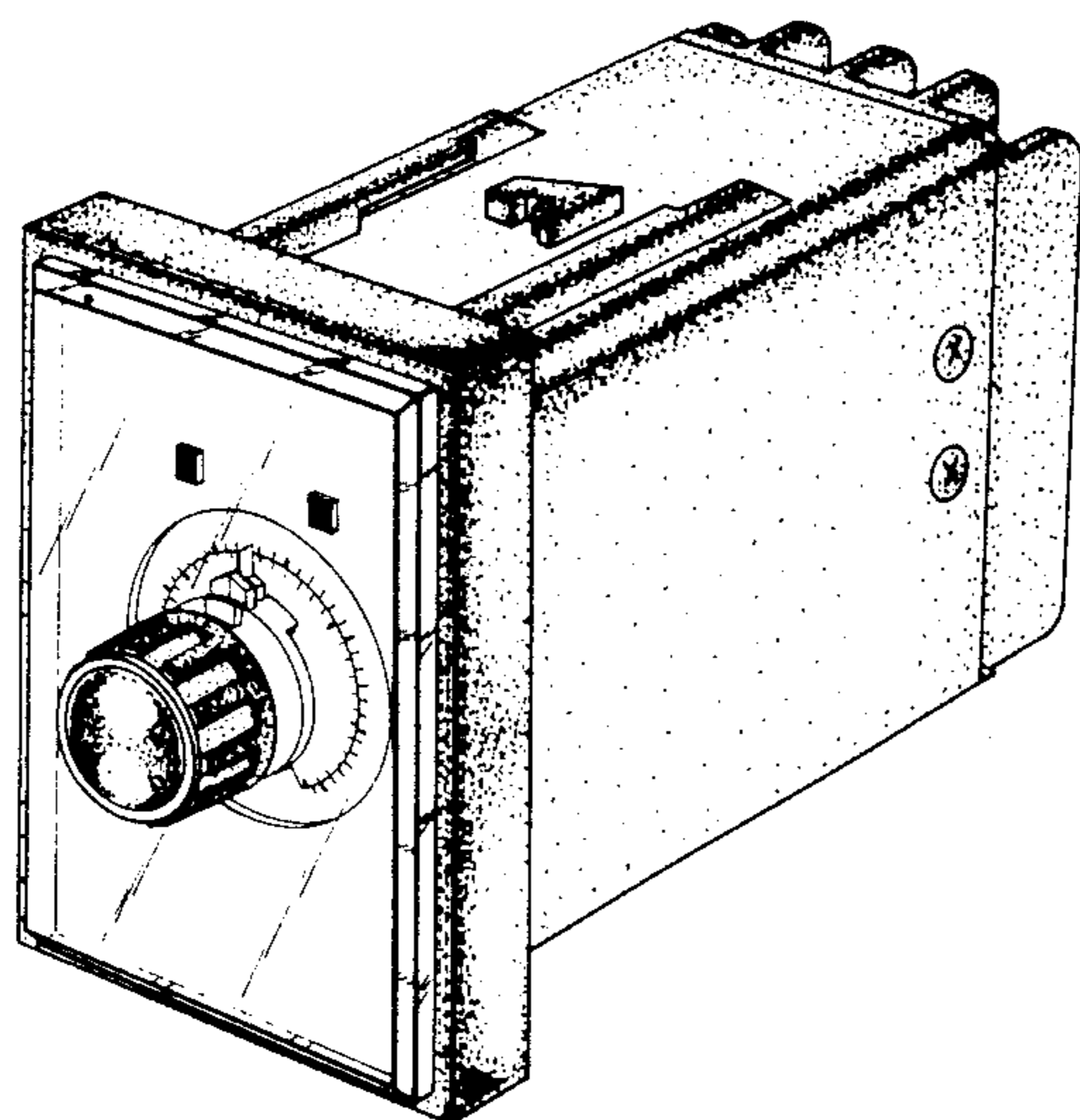


FIG. 1

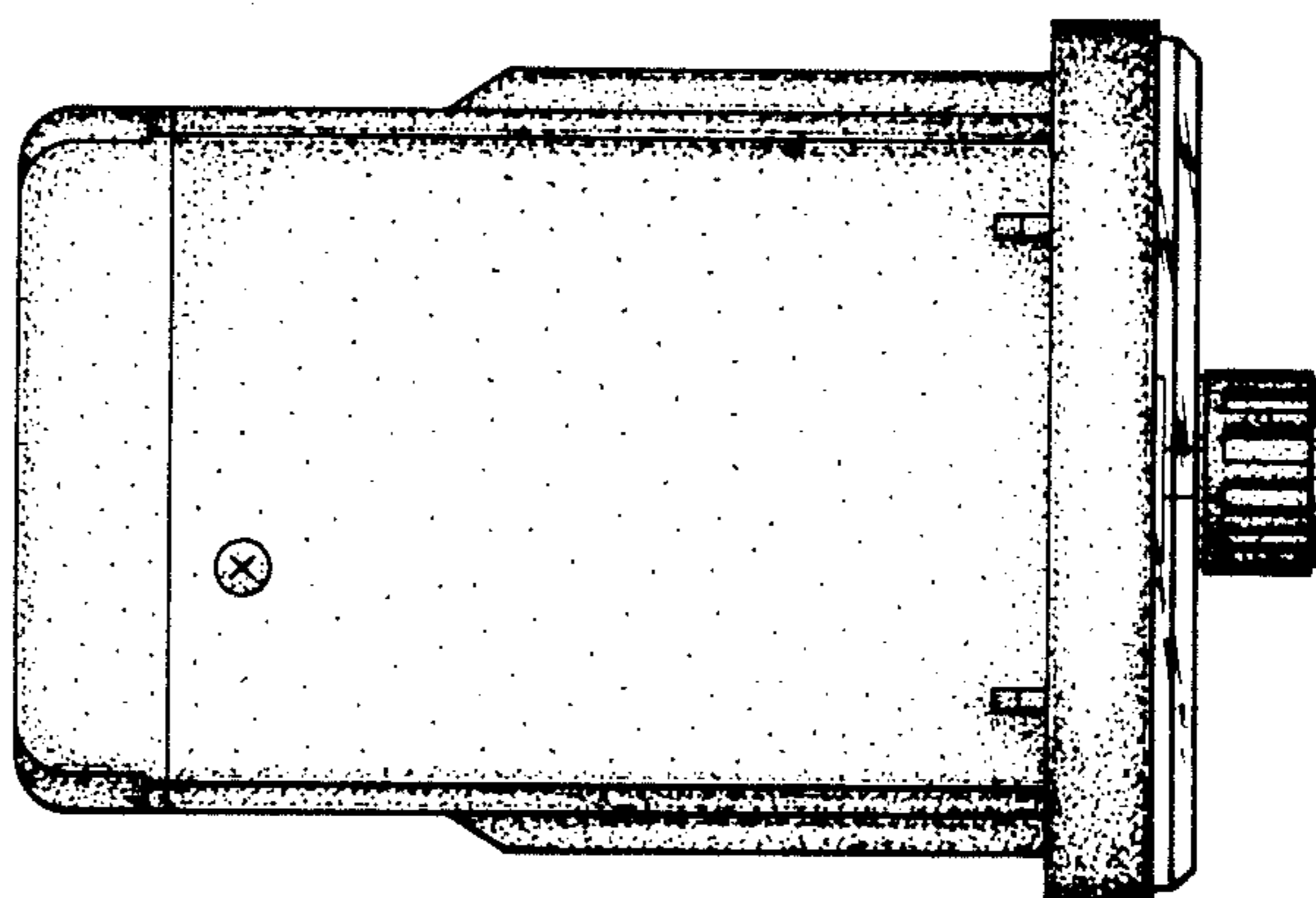


FIG. 2

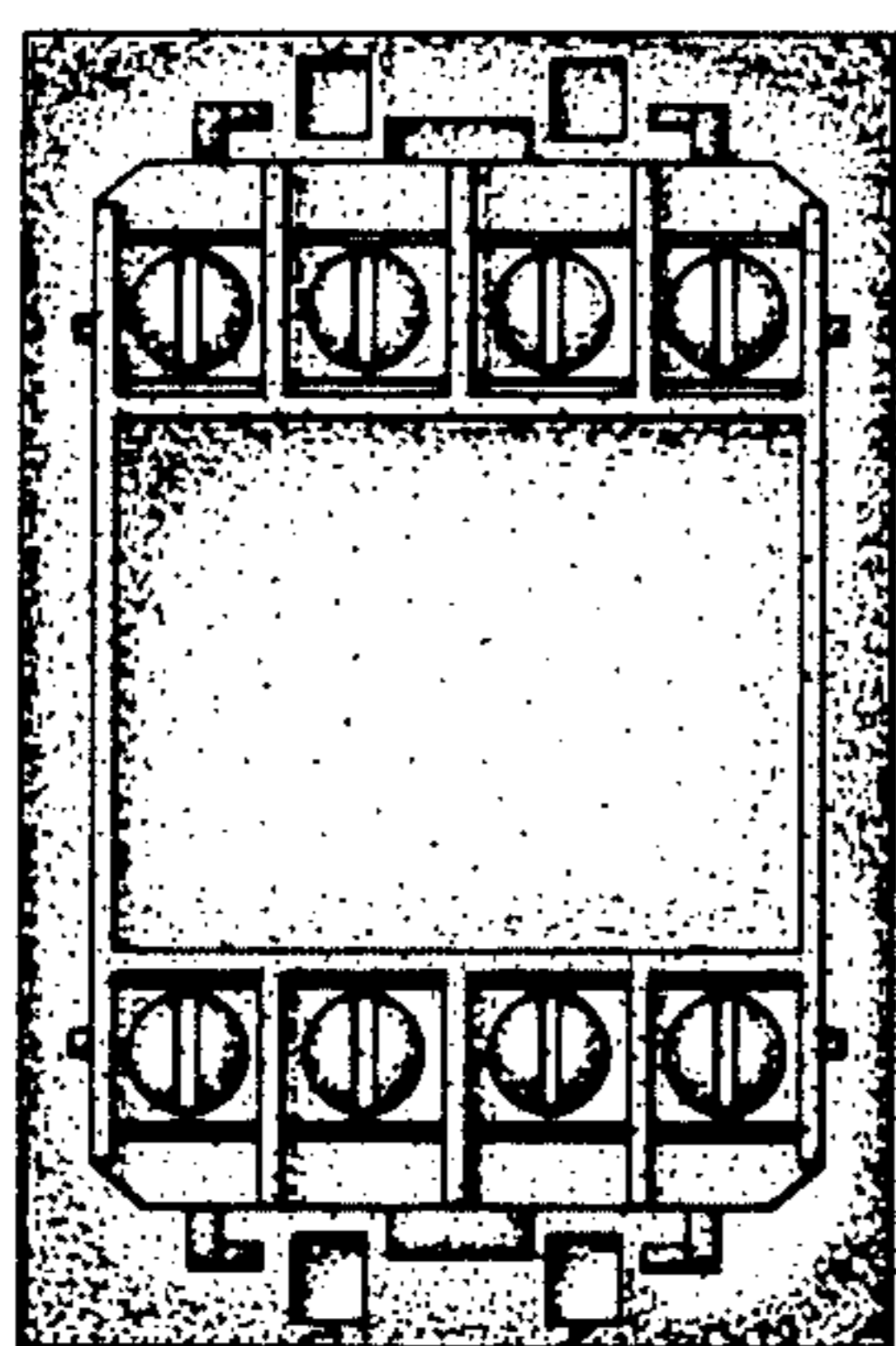
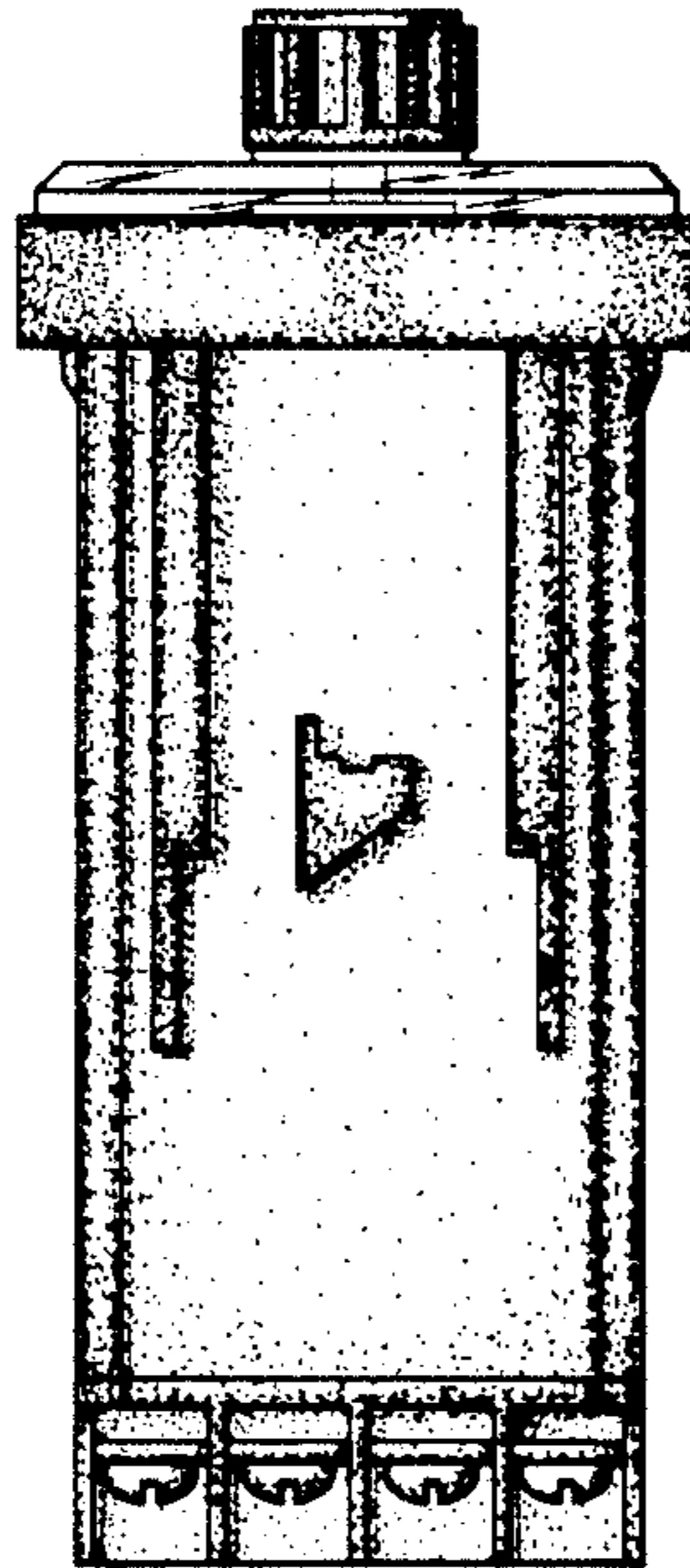
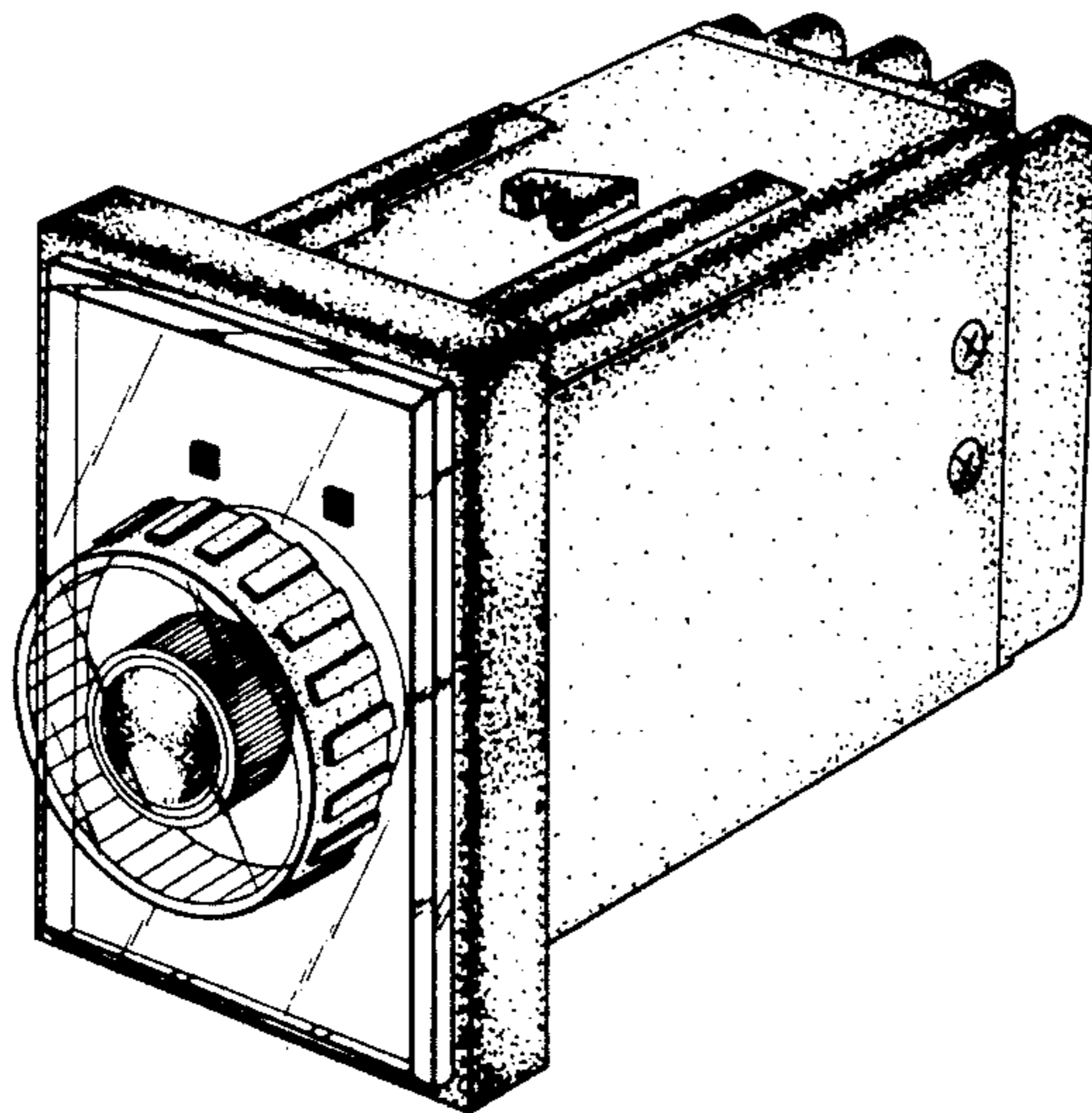


FIG. 3

F I G. 4



F I G. 5



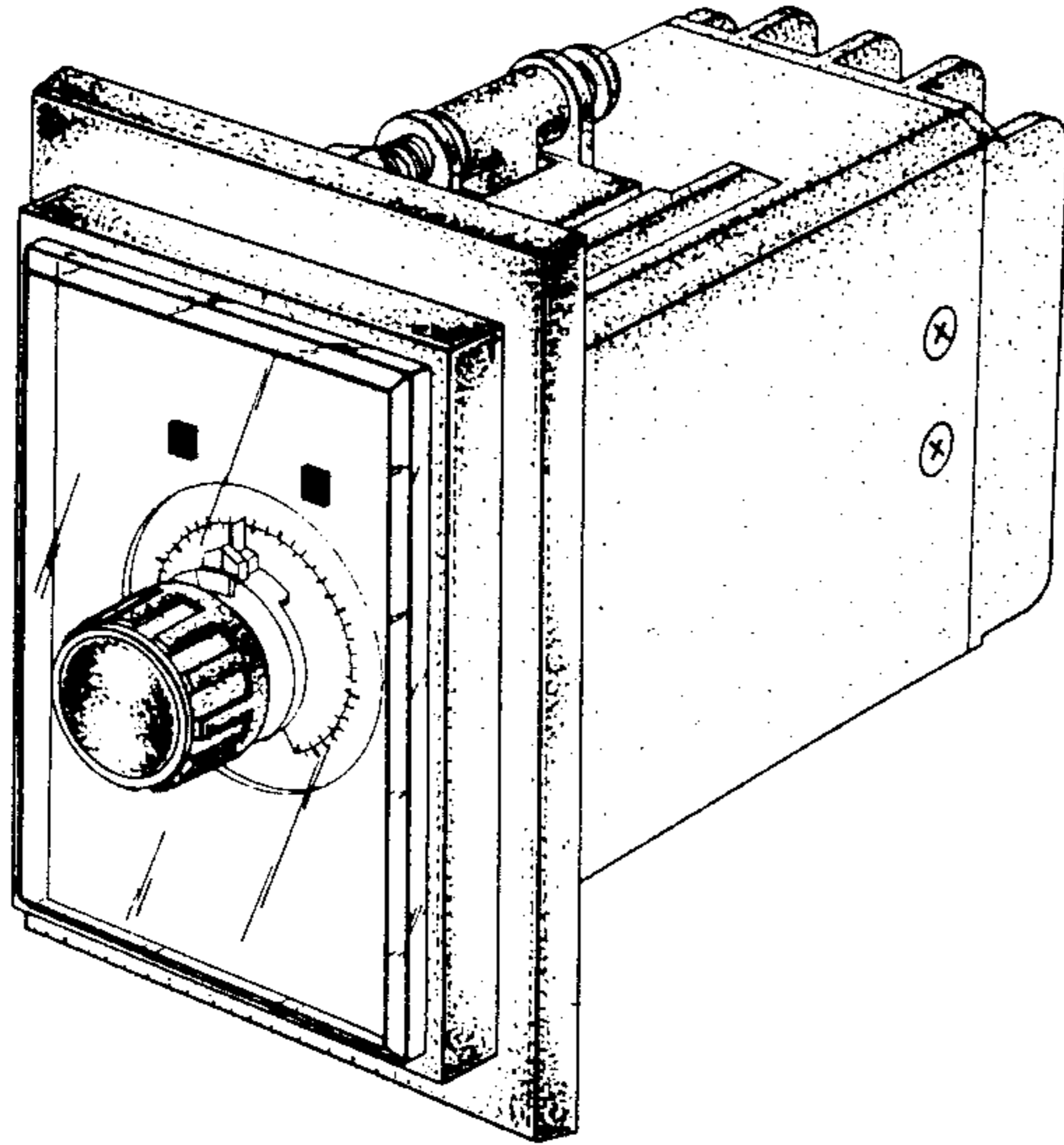


FIG. 6

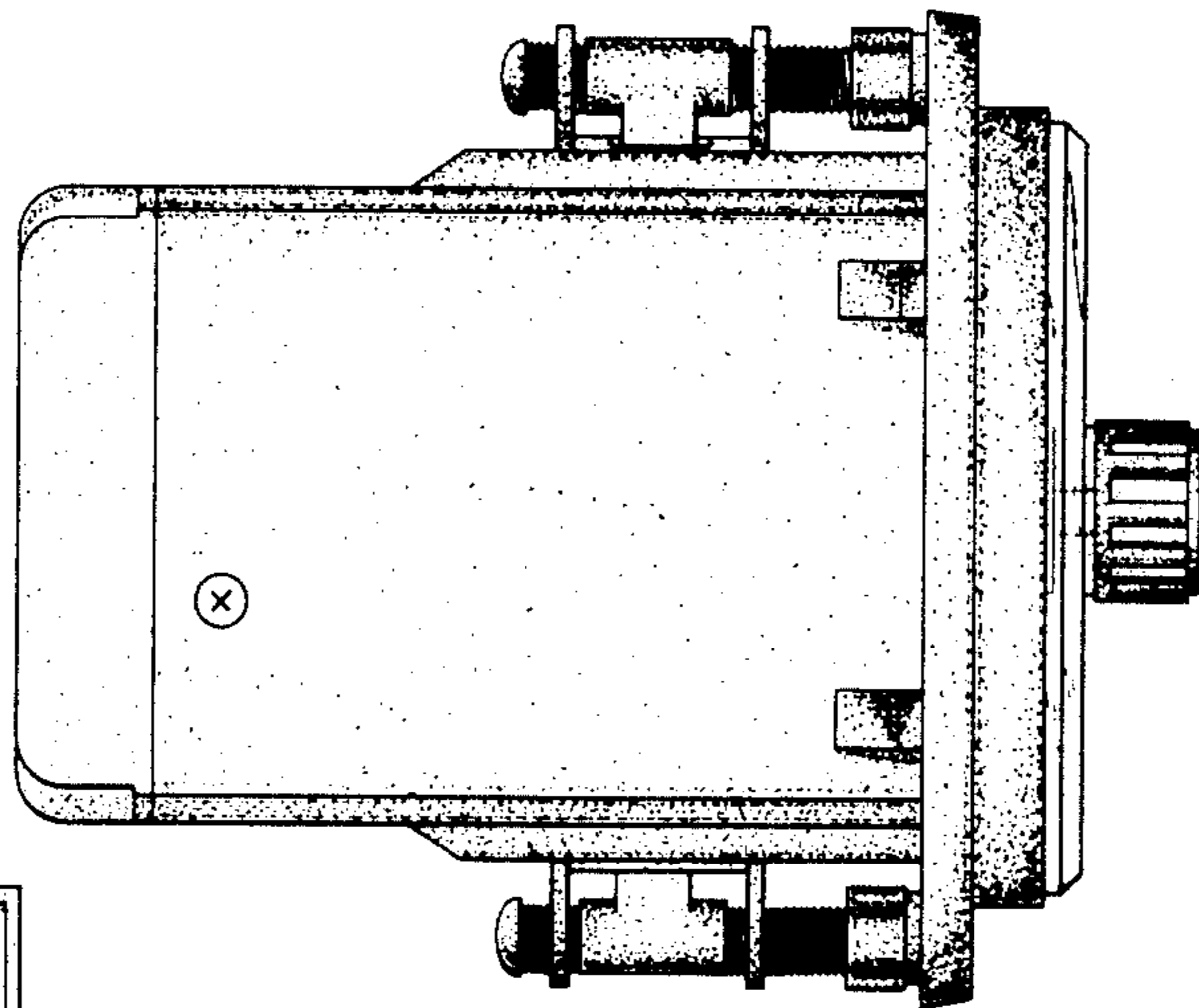


FIG. 7

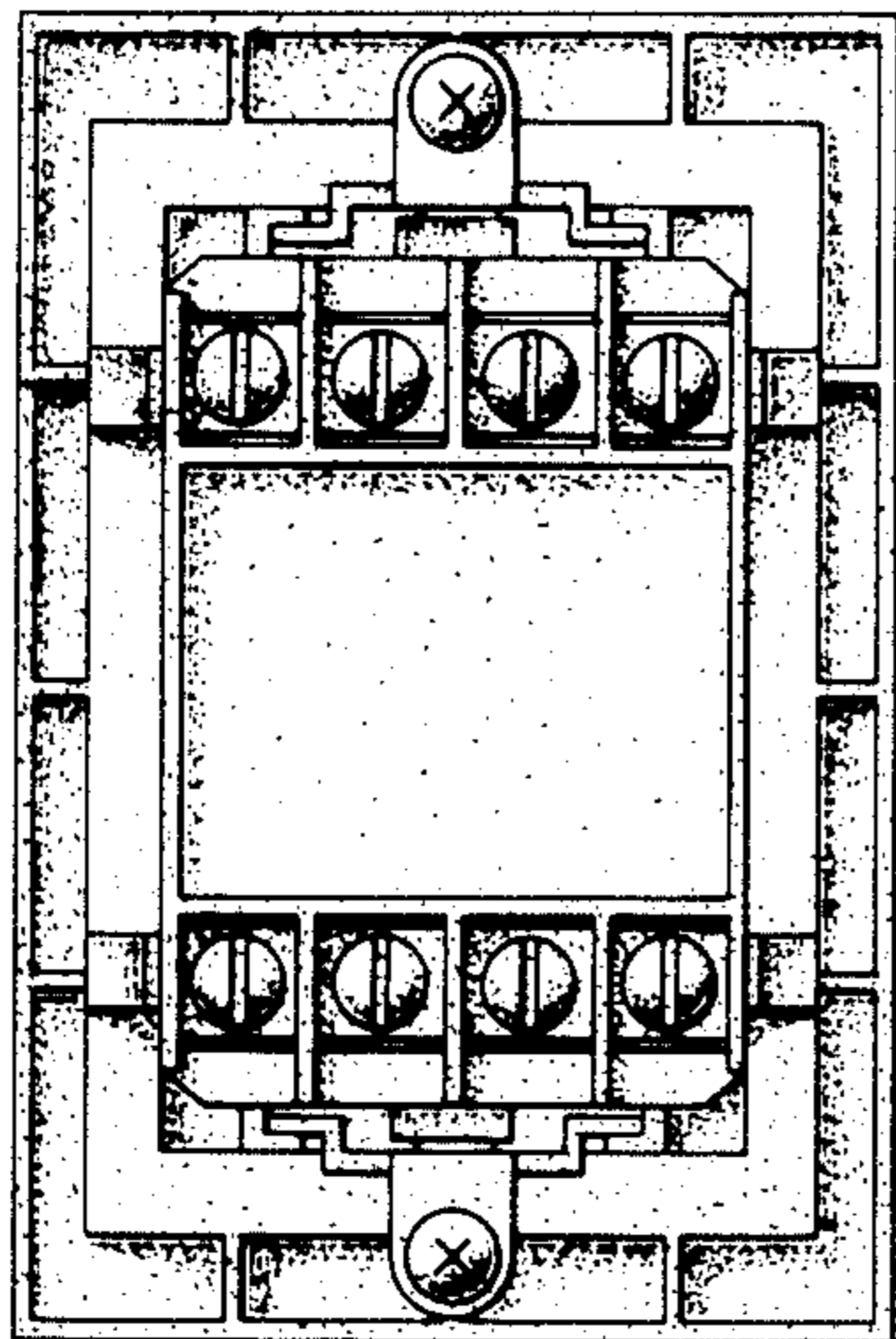
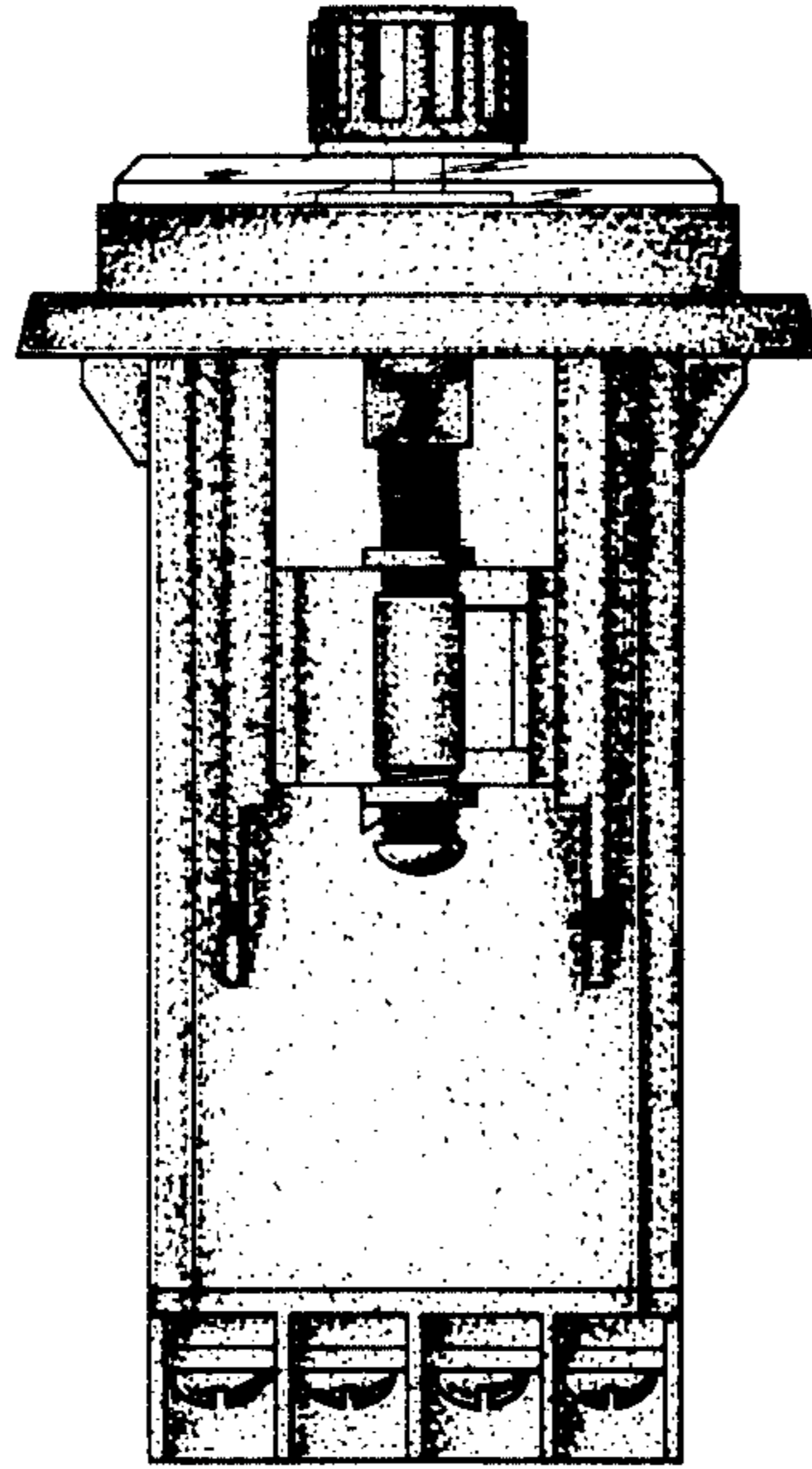


FIG. 8

F I G. 9



F I G. 10

