

[54] **BOOK SUPPORT BRACKET**

[75] Inventor: **Gerard Drag, Morton Grove, Ill.**

[73] Assignee: **General Binding Corporation**

[\*\*] Term: **14 Years**

[21] Appl. No.: **712,733**

[22] Filed: **Aug. 9, 1976**

[51] Int. Cl. .... **D8-08**

[52] U.S. Cl. .... **D8/363; D8/355**

[58] Field of Search ..... **248/441, 444, 446, 457, 248/441 B, 441 A; D8/354, 355, 363**

[56] **References Cited**

**U.S. PATENT DOCUMENTS**

|            |         |                     |             |
|------------|---------|---------------------|-------------|
| D. 226,056 | 1/1973  | Watt .....          | D8/363      |
| 774,152    | 11/1904 | Block .....         | 248/441 B X |
| 1,980,650  | 11/1934 | Webber .....        | 248/447     |
| 2,862,329  | 12/1958 | Guinane et al. .... | 248/447     |

*Primary Examiner*—A. Hugo Word

*Attorney, Agent, or Firm*—Benjamin H. Sherman

[57] **CLAIM**

The ornamental design for a book support bracket, substantially as shown and described.

**DESCRIPTION**

FIG. 1 is a perspective view of the book support bracket attached to a book shown in dashed lines;

FIG. 2 is a front end elevational view of the book support bracket illustrated in FIG. 1;

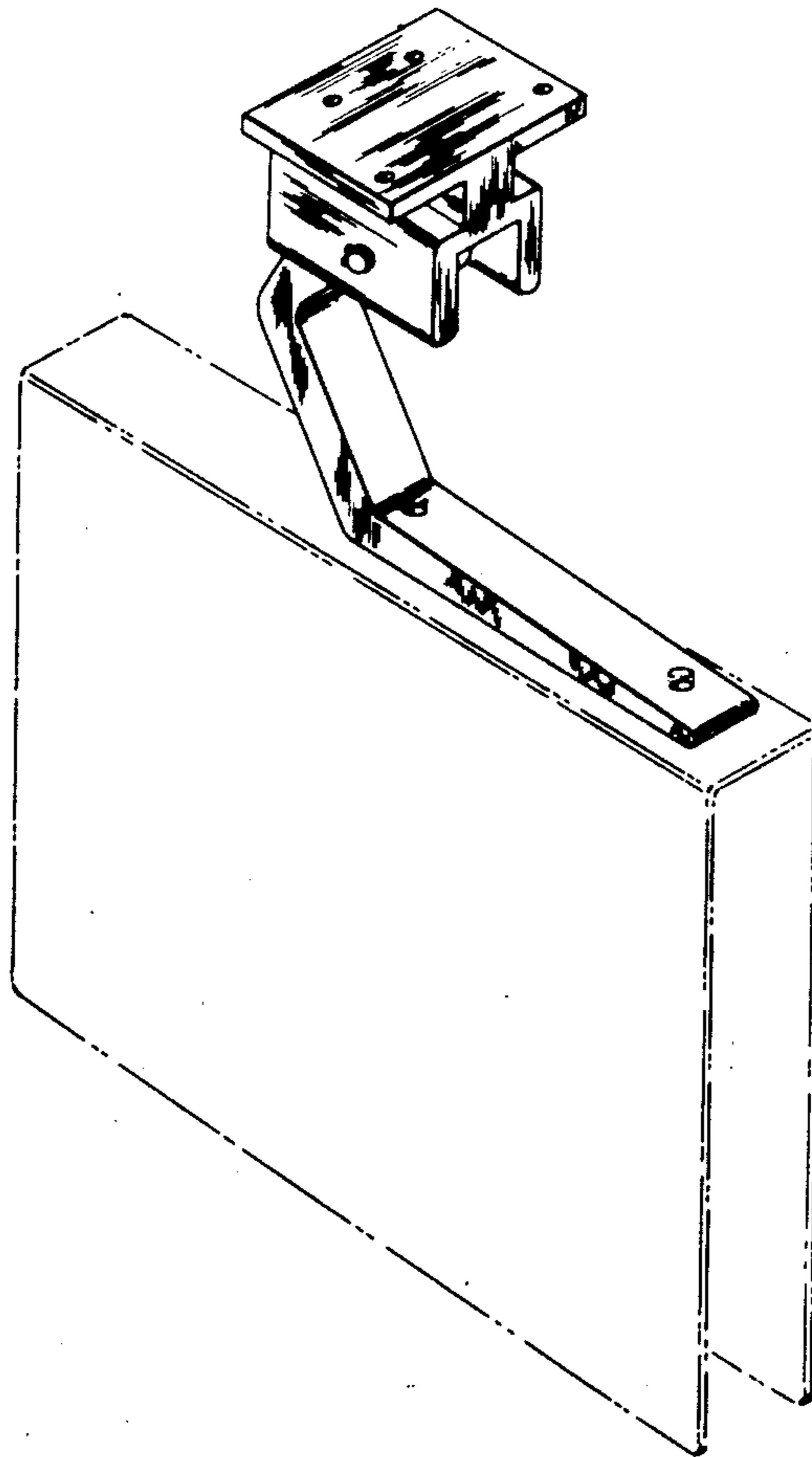
FIG. 3 is a bottom plan view of the book support bracket illustrated in FIG. 1;

FIG. 4 is a left side elevational view of the book support bracket of FIG. 1;

FIG. 5 is a rear end elevational view of the book support bracket illustrated in FIG. 1; and

FIG. 6 is a right side elevational view of the book support bracket illustrated in FIG. 1.

The broken line showing of the book in FIG. 1 is for illustrative purposes only and forms no part of the claimed design.



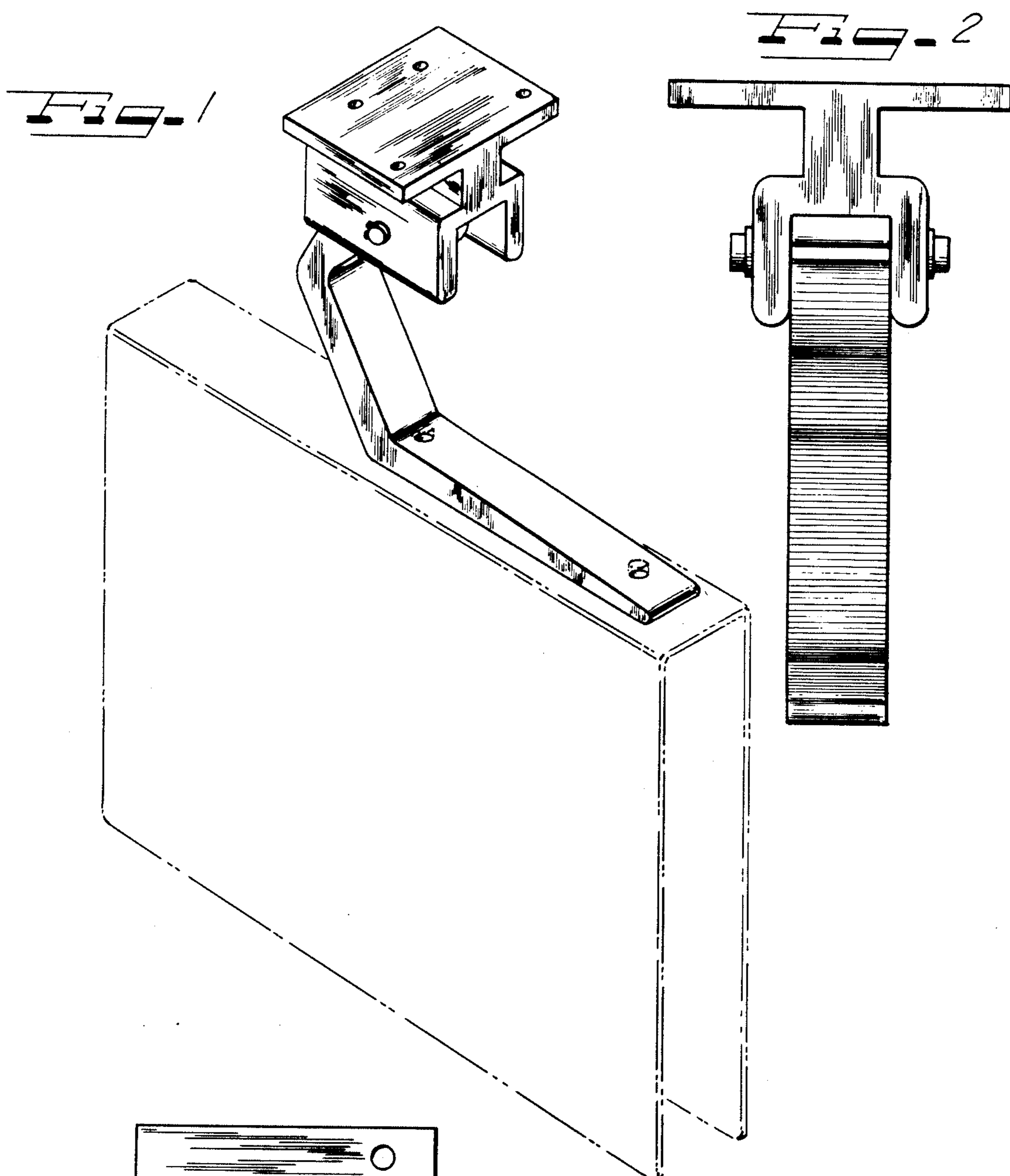


FIG. 1

FIG. 2

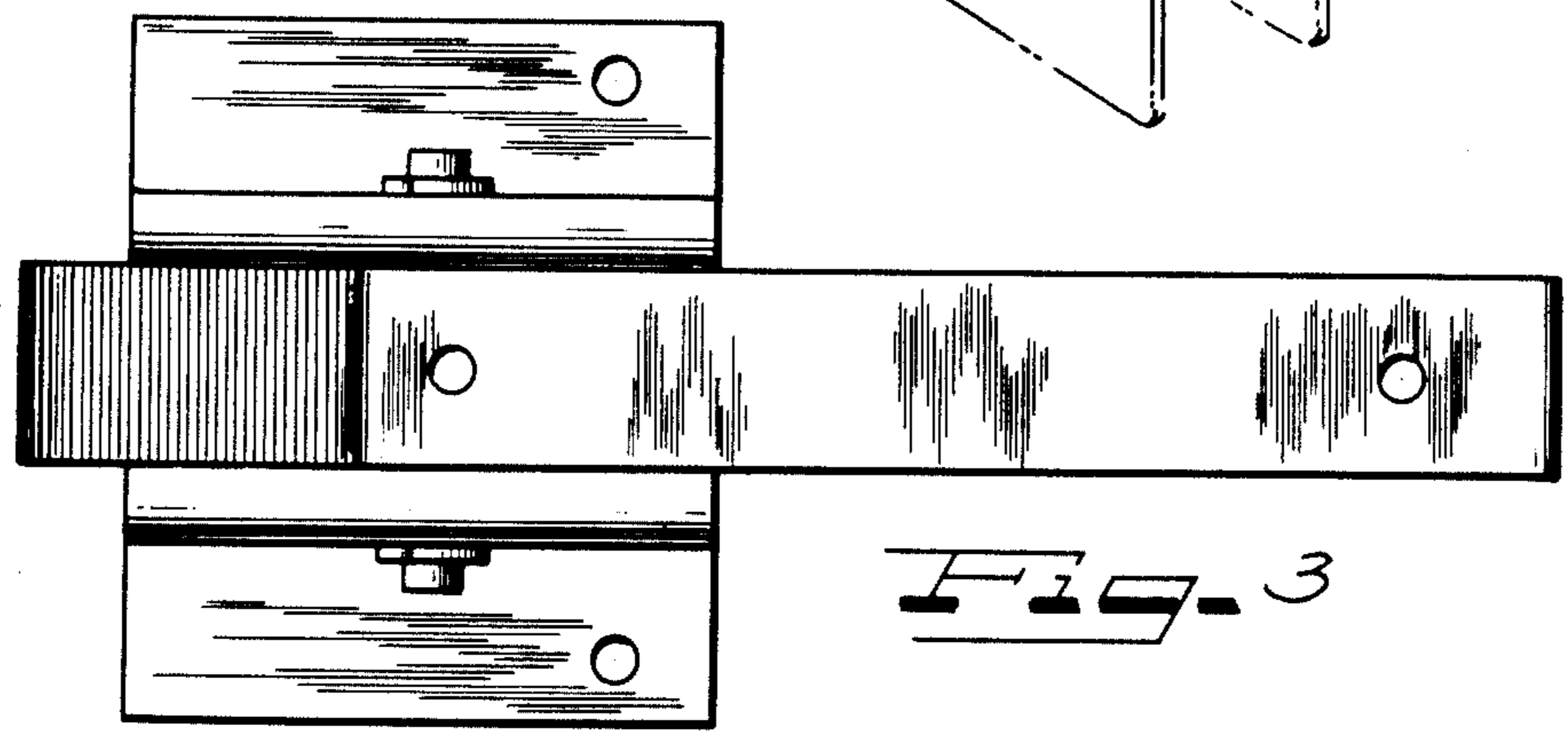


FIG. 3

FIG. 4

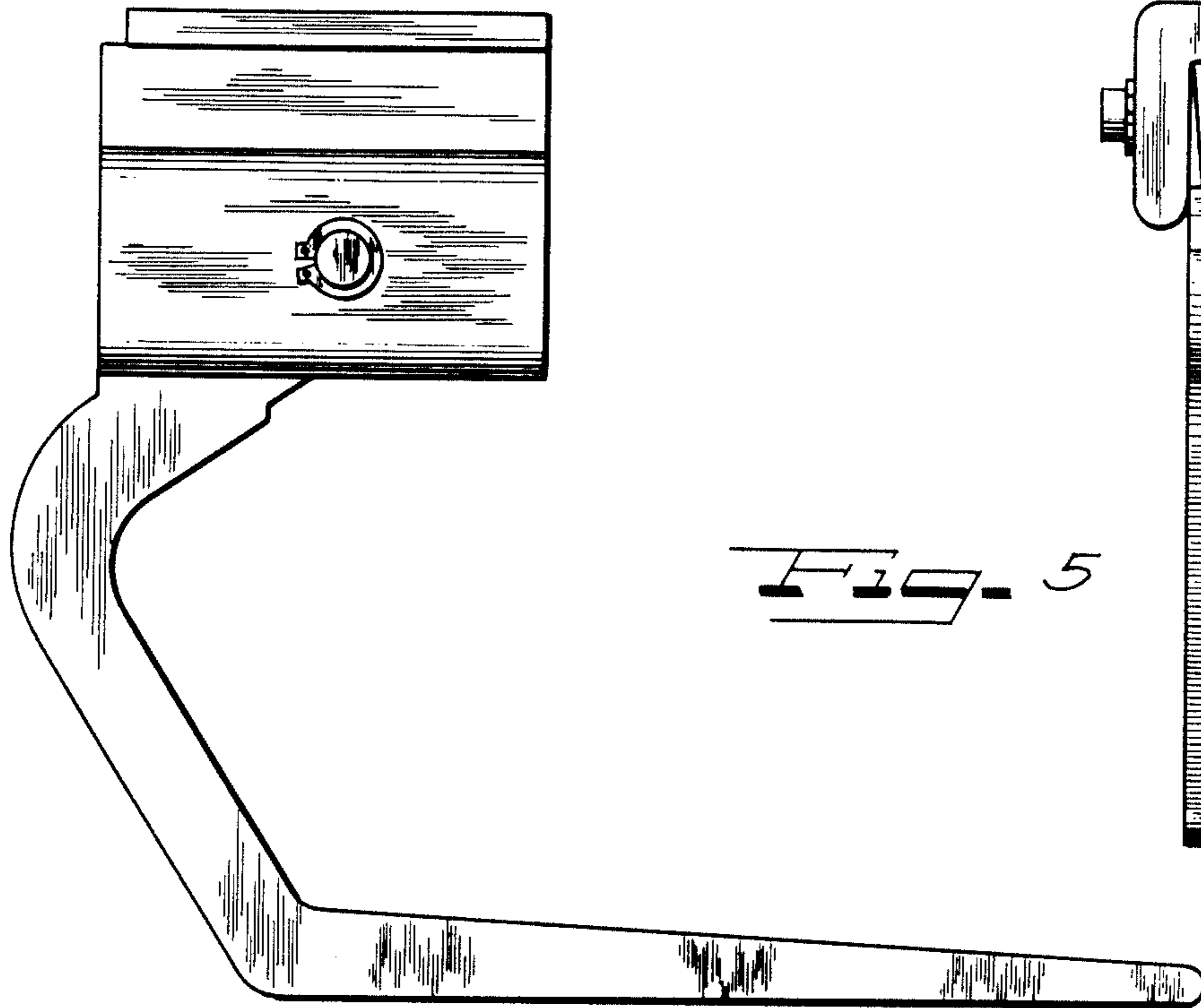


FIG. 5

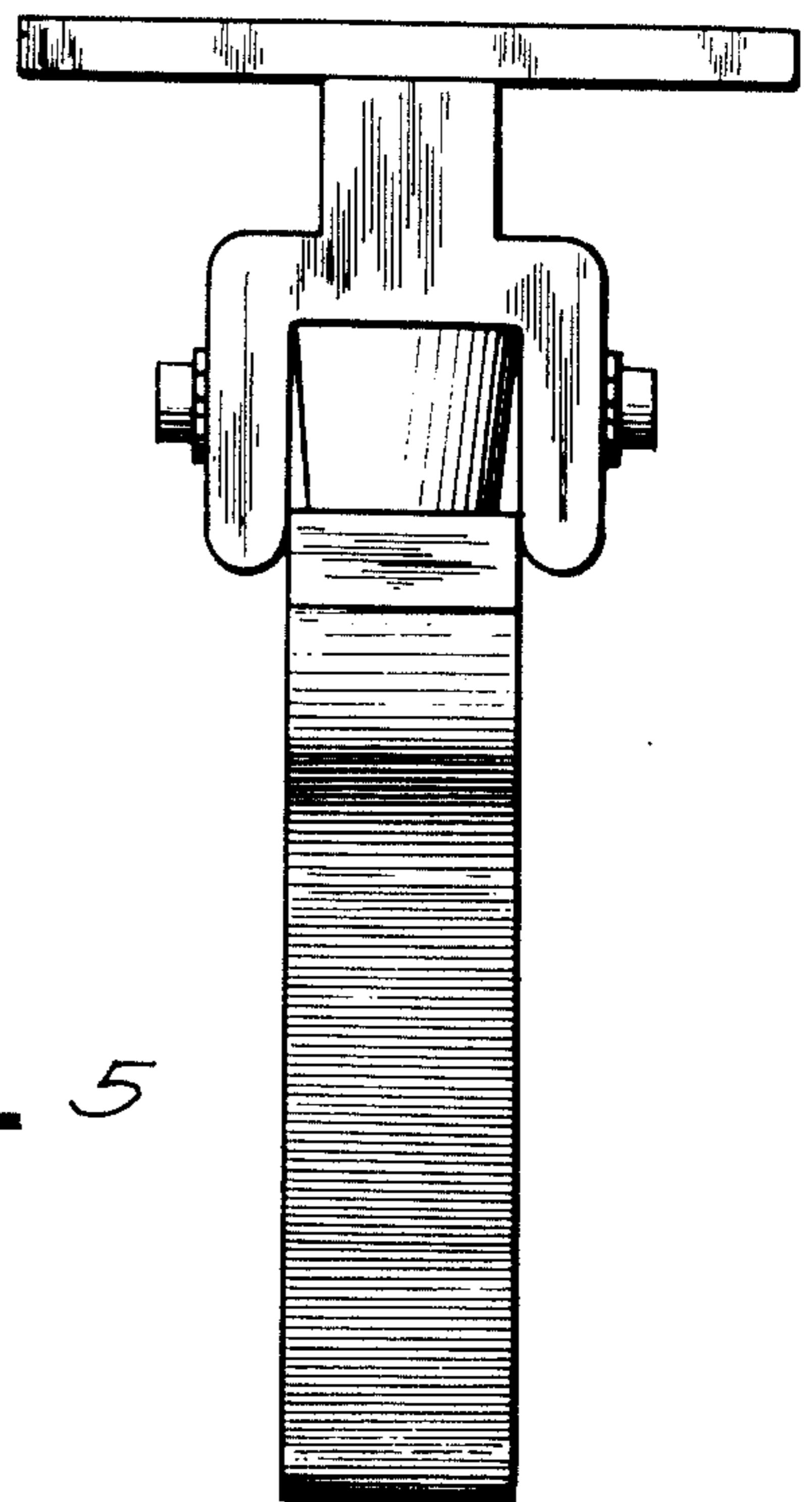


FIG. 6

