

[54] MULTI-PURPOSE JIG FOR USE WITH TABLE SAWS

[76] Inventor: Lloyd D. Kreitz, P.O. Box 60, Pequot Lakes, Minn. 56472

[\*\*] Term: 14 Years

[21] Appl. No.: 753,986

[22] Filed: Dec. 27, 1976

[51] Int. Cl. .... D8-05

[52] U.S. Cl. .... D8/14; D8/71

[58] Field of Search .... D8/14, 71, 106; D15/140, 142

[56] References Cited

U.S. PATENT DOCUMENTS

D. 186,935 12/1959 Littlefield ..... D8/14

D. 225,716 1/1973 Mason ..... D8/71

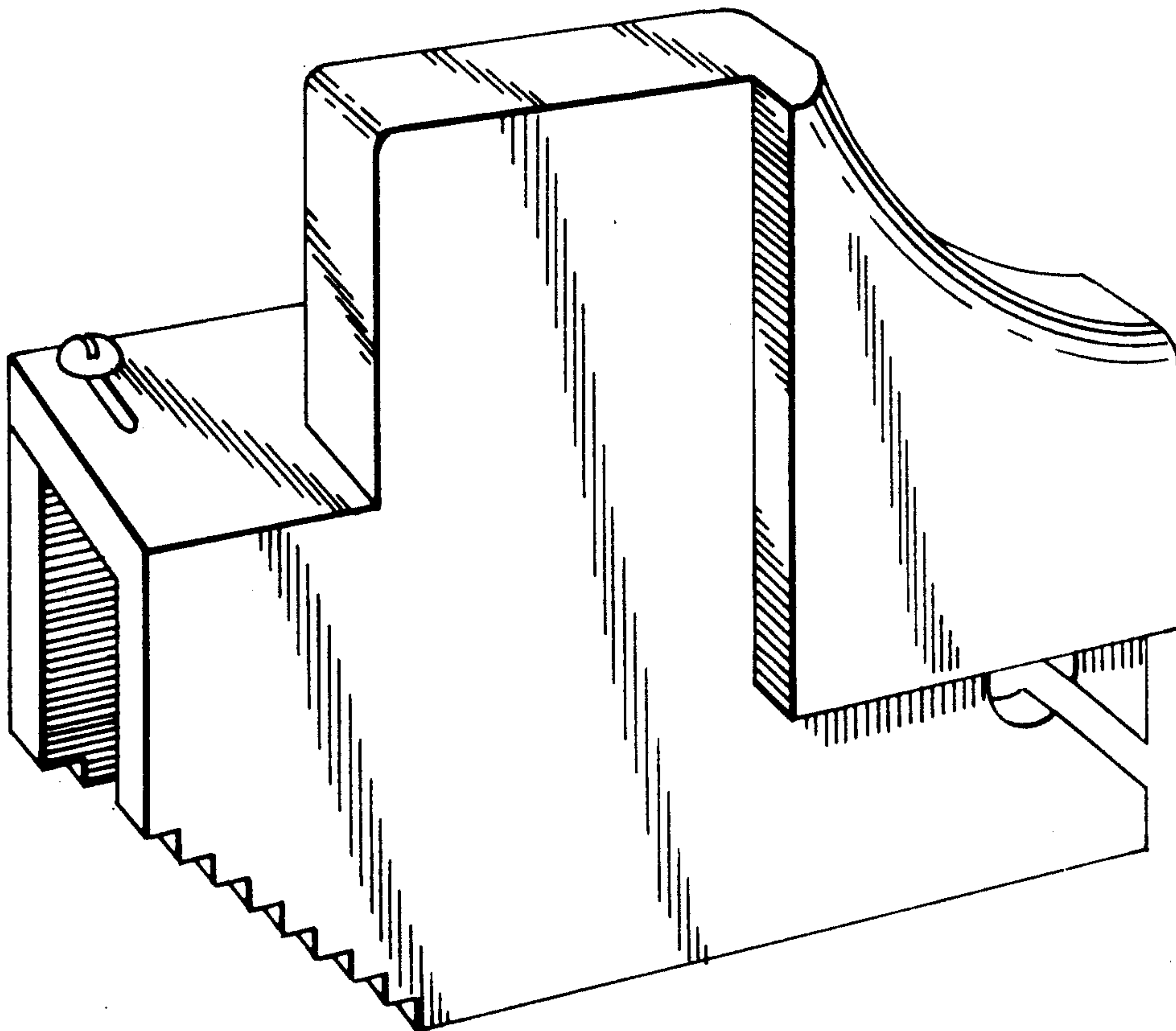
Primary Examiner—Alan P. Douglas  
Attorney, Agent, or Firm—Richard E. Brink

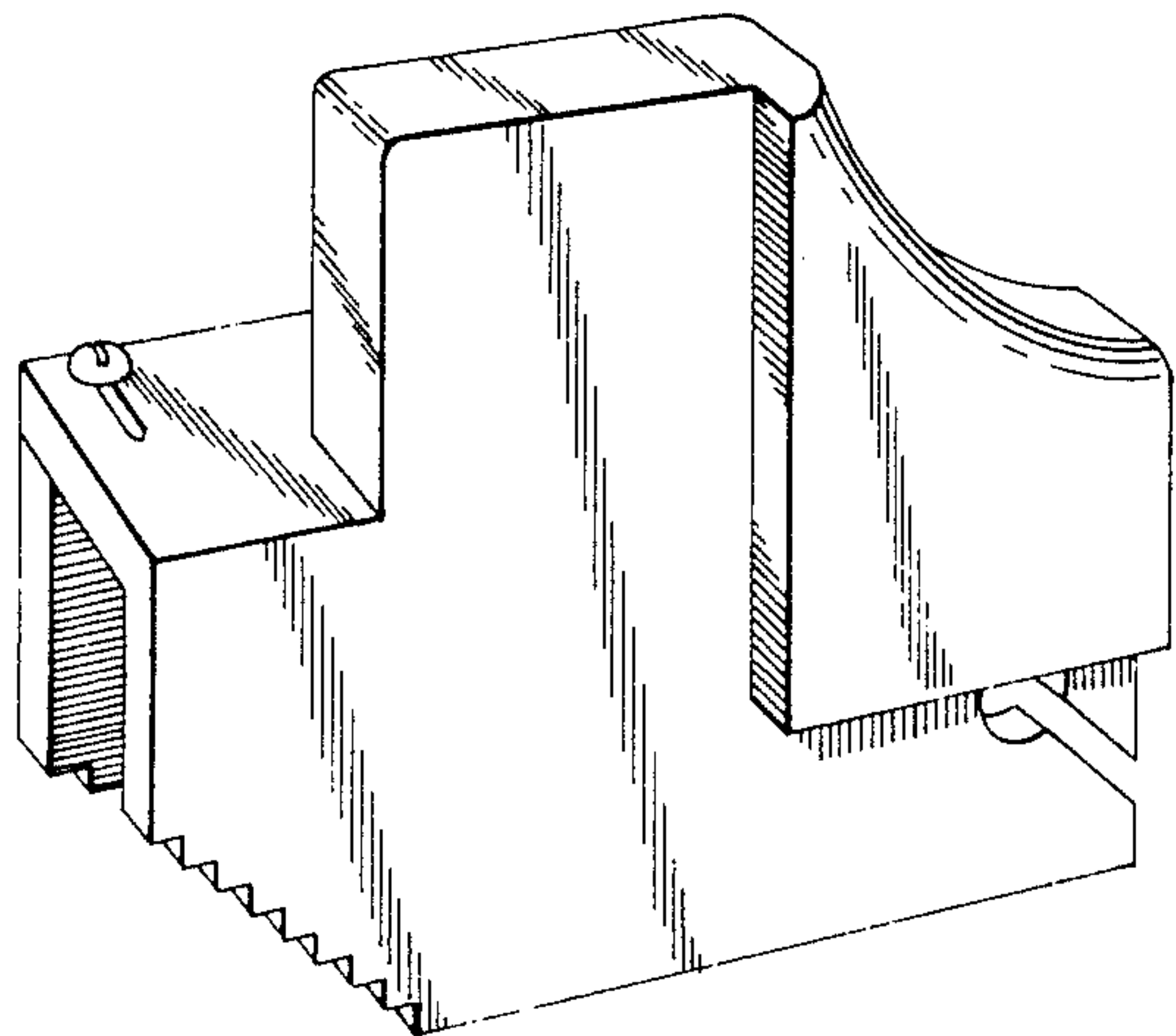
[57] CLAIM

The ornamental design for a multi-purpose jig for use with table saws, substantially as shown and described.

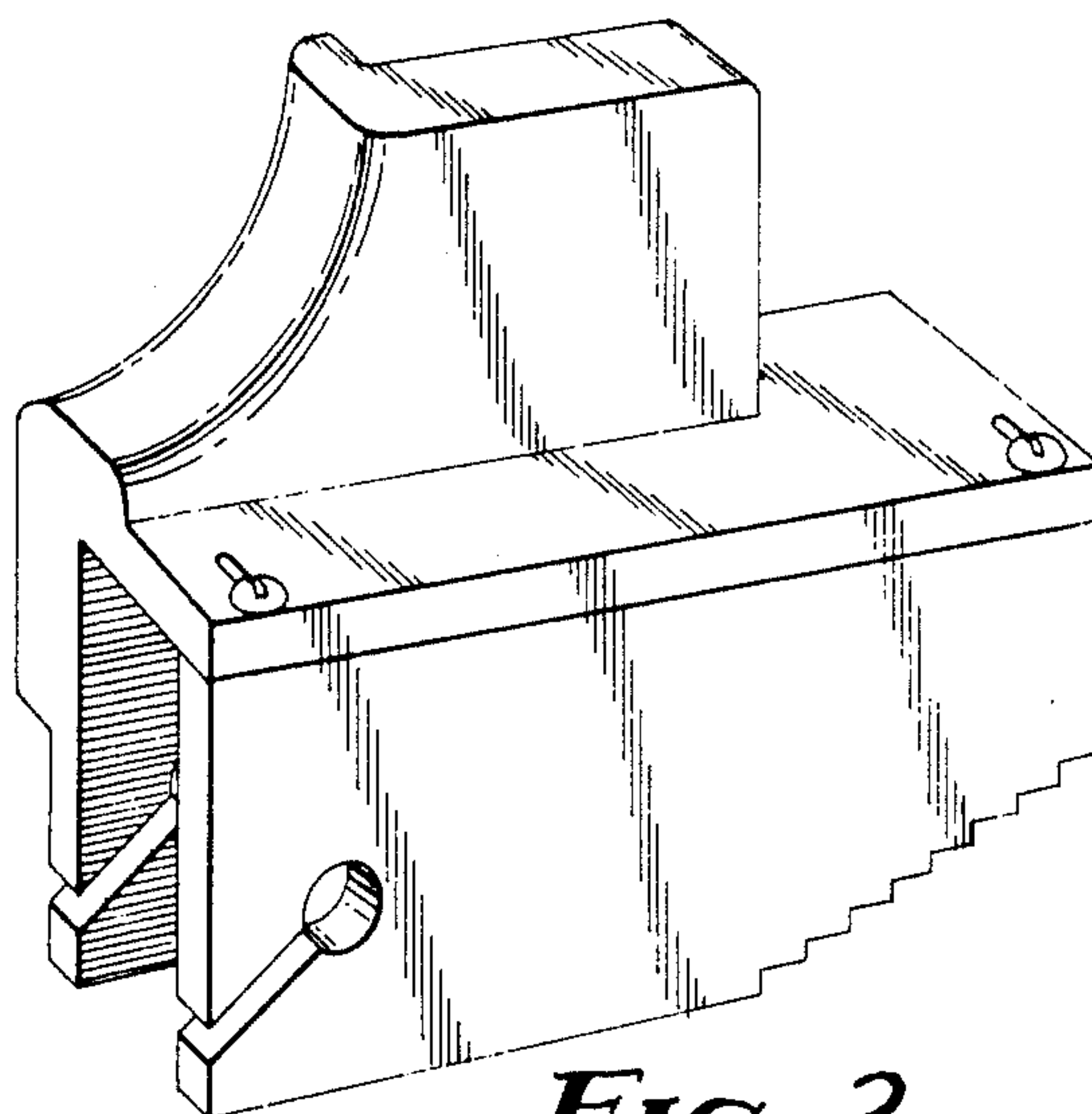
DESCRIPTION

FIG. 1 depicts an upper left front perspective view of my design for a multi-purpose jig;  
FIG. 2 is an upper right rear perspective view of the jig;  
FIG. 3 is a left elevation view thereof;  
FIG. 4 is a right elevation view thereof;  
FIG. 5 is a front elevation view thereof;  
FIG. 6 is a rear elevation view thereof;  
FIG. 7 is a top view thereof; and  
FIG. 8 is a bottom view thereof.

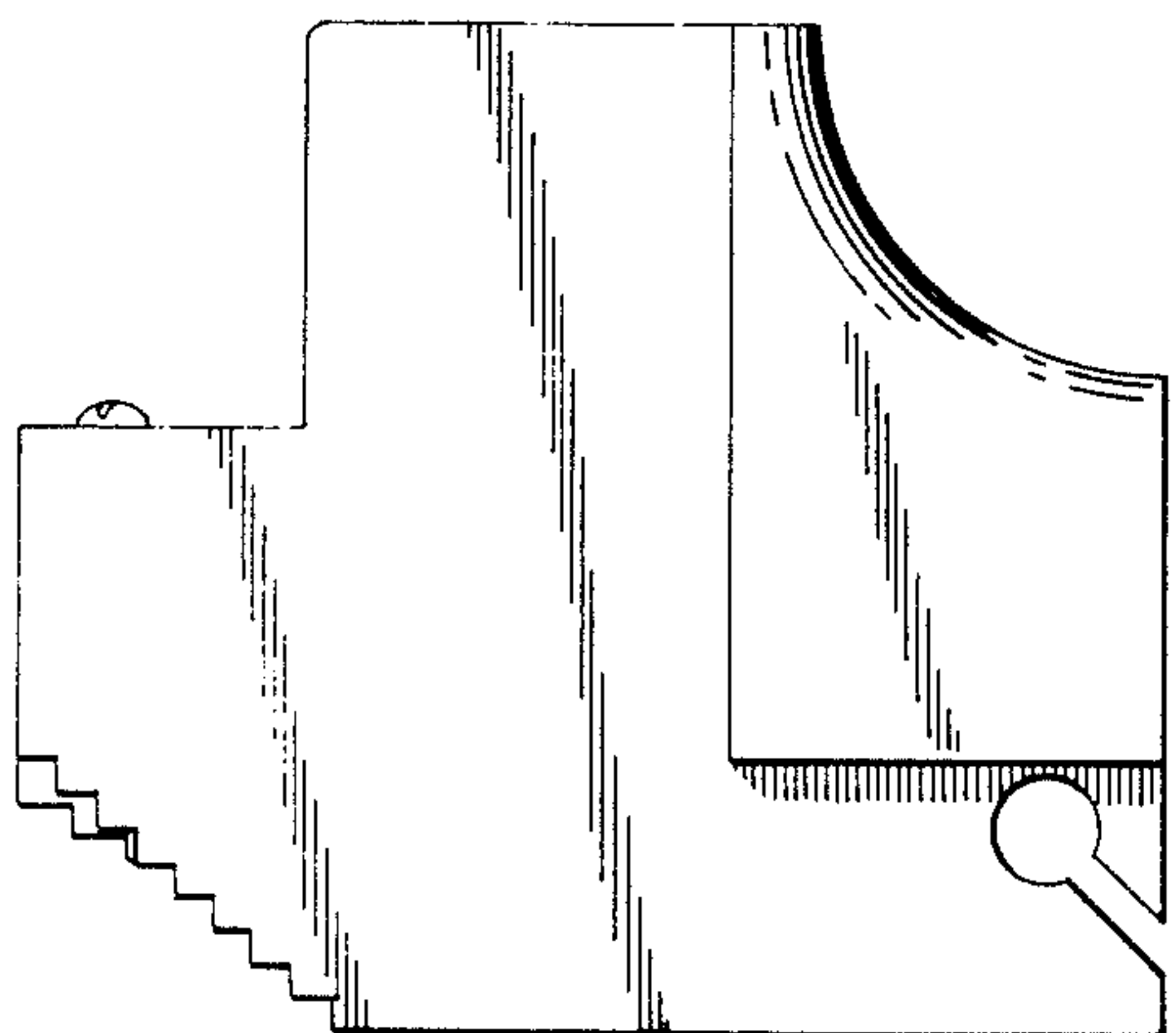




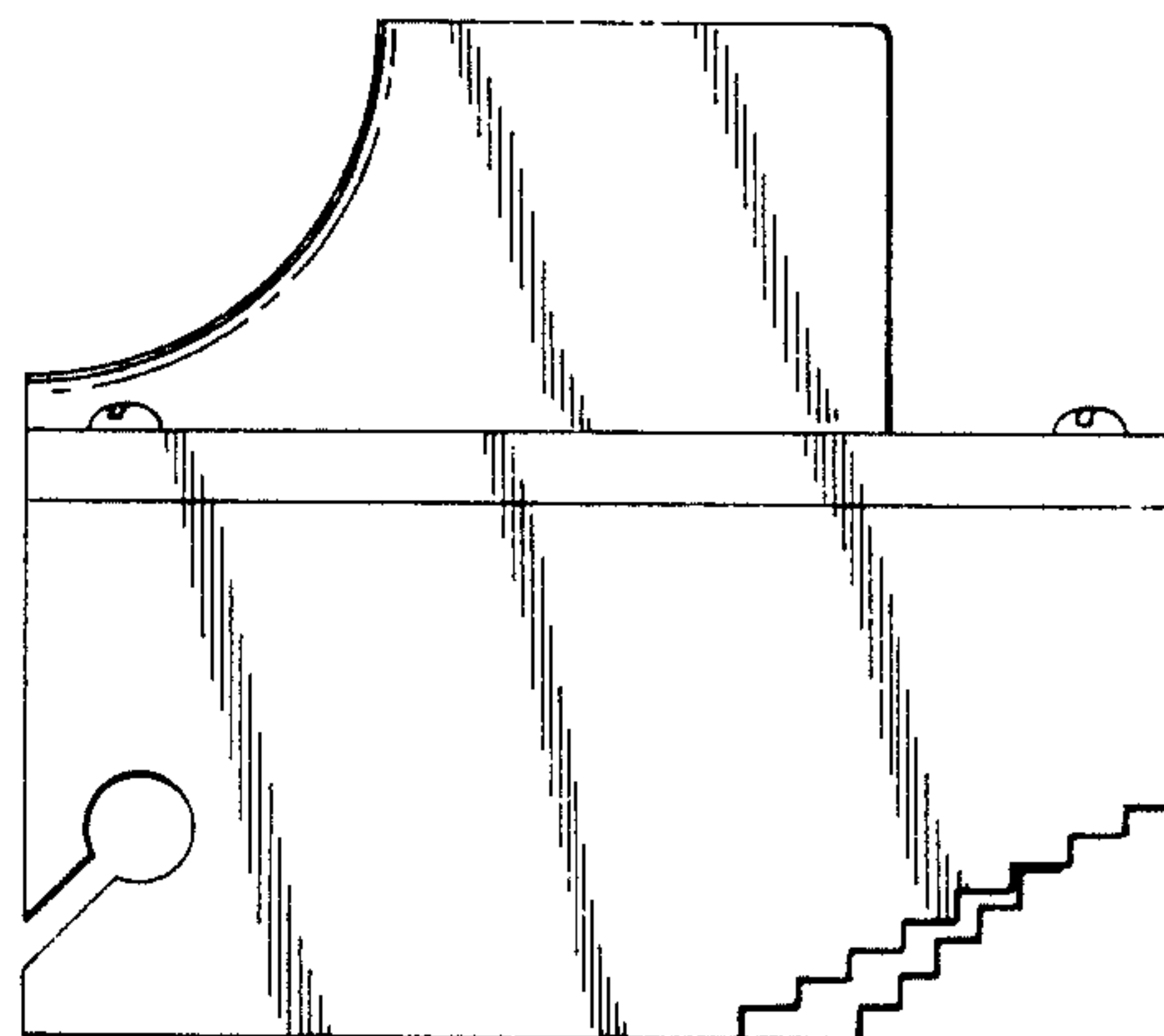
*FIG. 1*



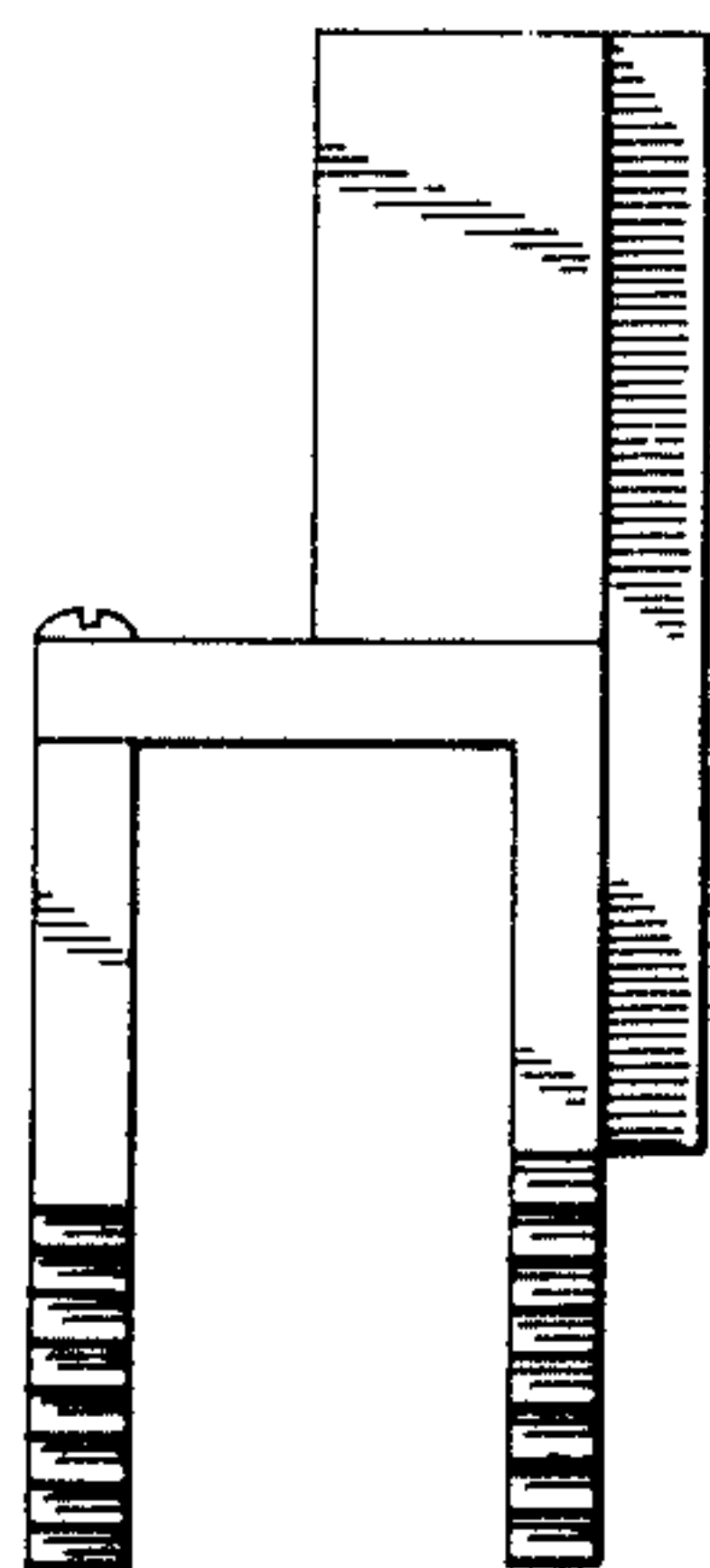
*FIG. 2*



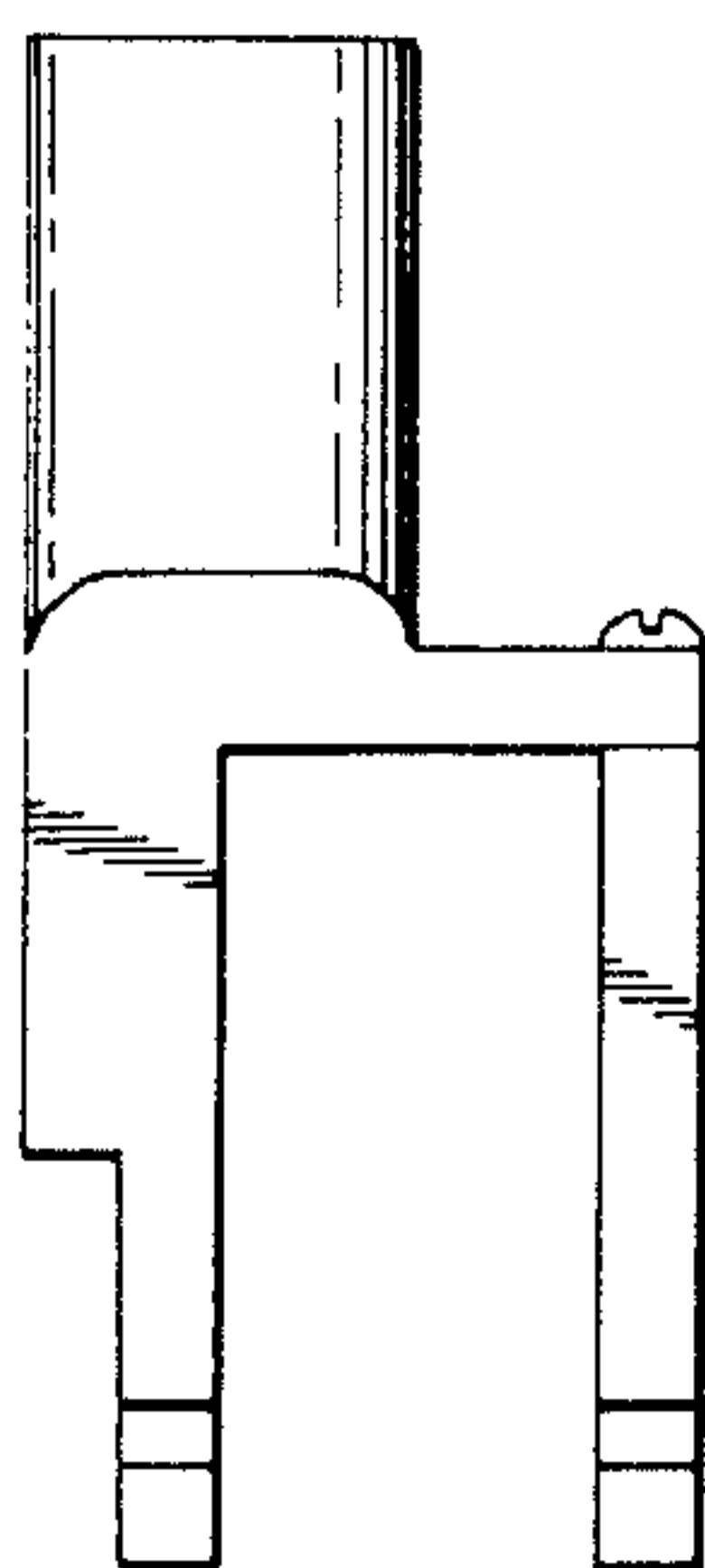
*FIG. 3*



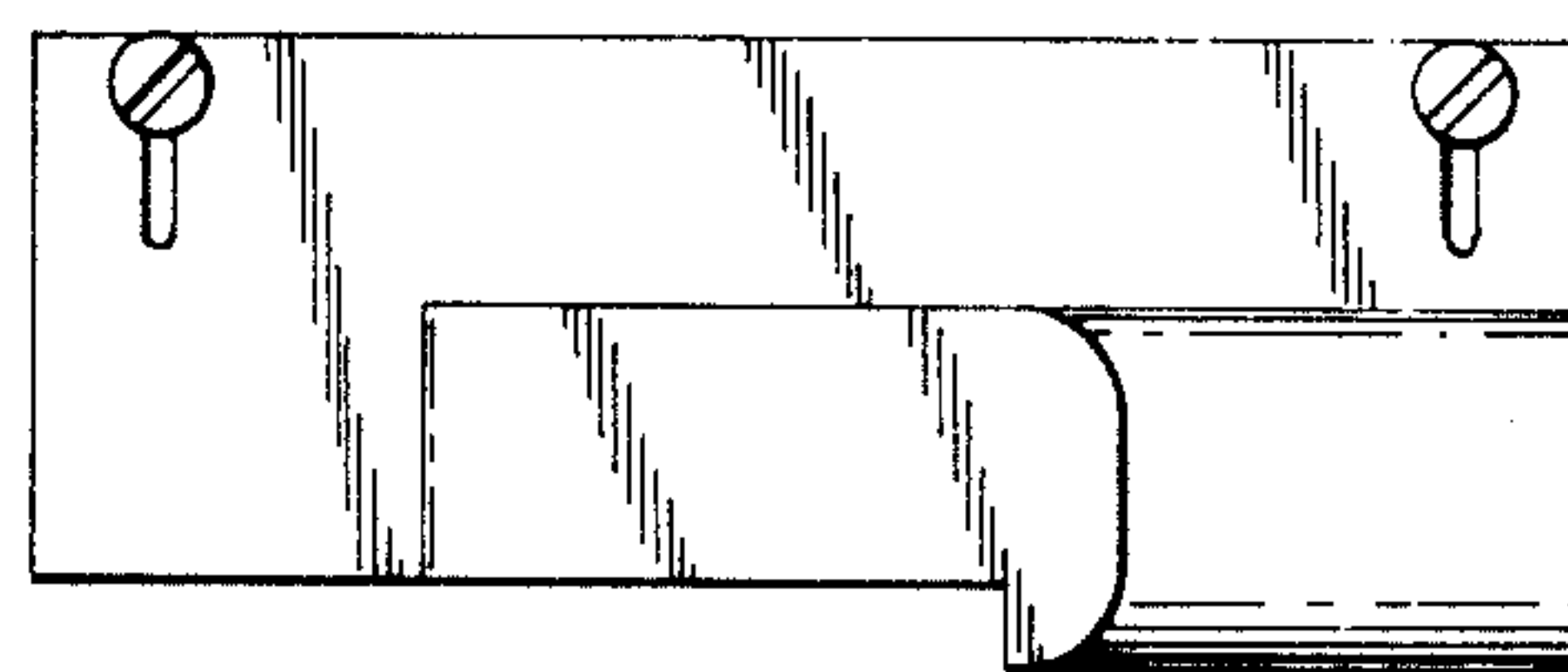
*FIG. 4*



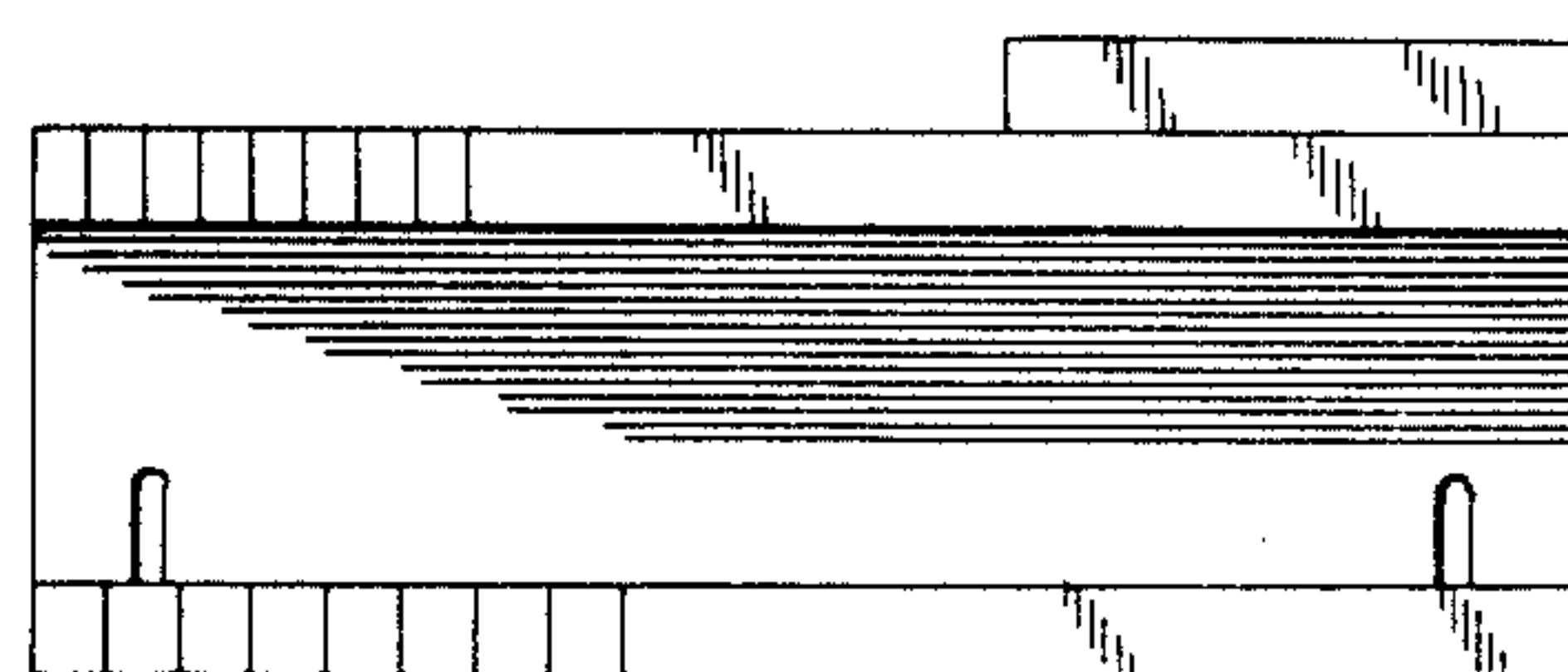
*FIG. 5*



*FIG. 6*



*FIG. 7*



*FIG. 8*