

[54] ACCESSORY HOLDER FOR FOOD PROCESSORS

[75] Inventors: Barbara Comfort, Landgrove; Frederik George Richard von Roth, Peru, both of Vt.

[73] Assignee: Acrylic Designs, Inc., South Londonderry, Vt.

[**] Term: 14 Years

[21] Appl. No.: 692,925

[22] Filed: Jun. 4, 1976

[51] Int. Cl. D6-04

[52] U.S. Cl. D6/181; D6/85; D6/172; D6/185

[58] Field of Search D7/72, 71; D19/20, 92; D6/85, 172, 173, 184, 85; D52/2 R, 2 C; 211/50, 51; 248/504, 510

[56] References Cited

U.S. PATENT DOCUMENTS

D. 29,645 11/1898 Waldeck D9/242
D. 148,788 2/1948 Hansen D6/184

D. 198,411 6/1964 Hanopole D9/242
2,105,199 1/1938 Newman D9/242 X
3,171,347 3/1965 Elrod D7/72 X
3,357,344 12/1967 Pate 211/50 X

OTHER PUBLICATIONS

Modern Plastics, Dec. 1945, p. 131, panel 3, container.

Primary Examiner—Bruce W. Dunkins

Attorney, Agent, or Firm—Willis H. Taylor, Jr.

[57] CLAIM

The ornamental design for accessory holder for food processors, substantially as shown.

DESCRIPTION

FIG. 1 is a perspective view of our accessory holder for food processors showing our new design;

FIG. 2 is a front elevation (the rear elevation is the mirror image of the front elevation) of the accessory holder for food processors of FIG. 1;

FIG. 3 is a side elevation (one side is the mirror image of the other) of the accessory holder for food processors of FIG. 1; and

FIG. 4 is a top plan view of the implement holder of FIG. 1.

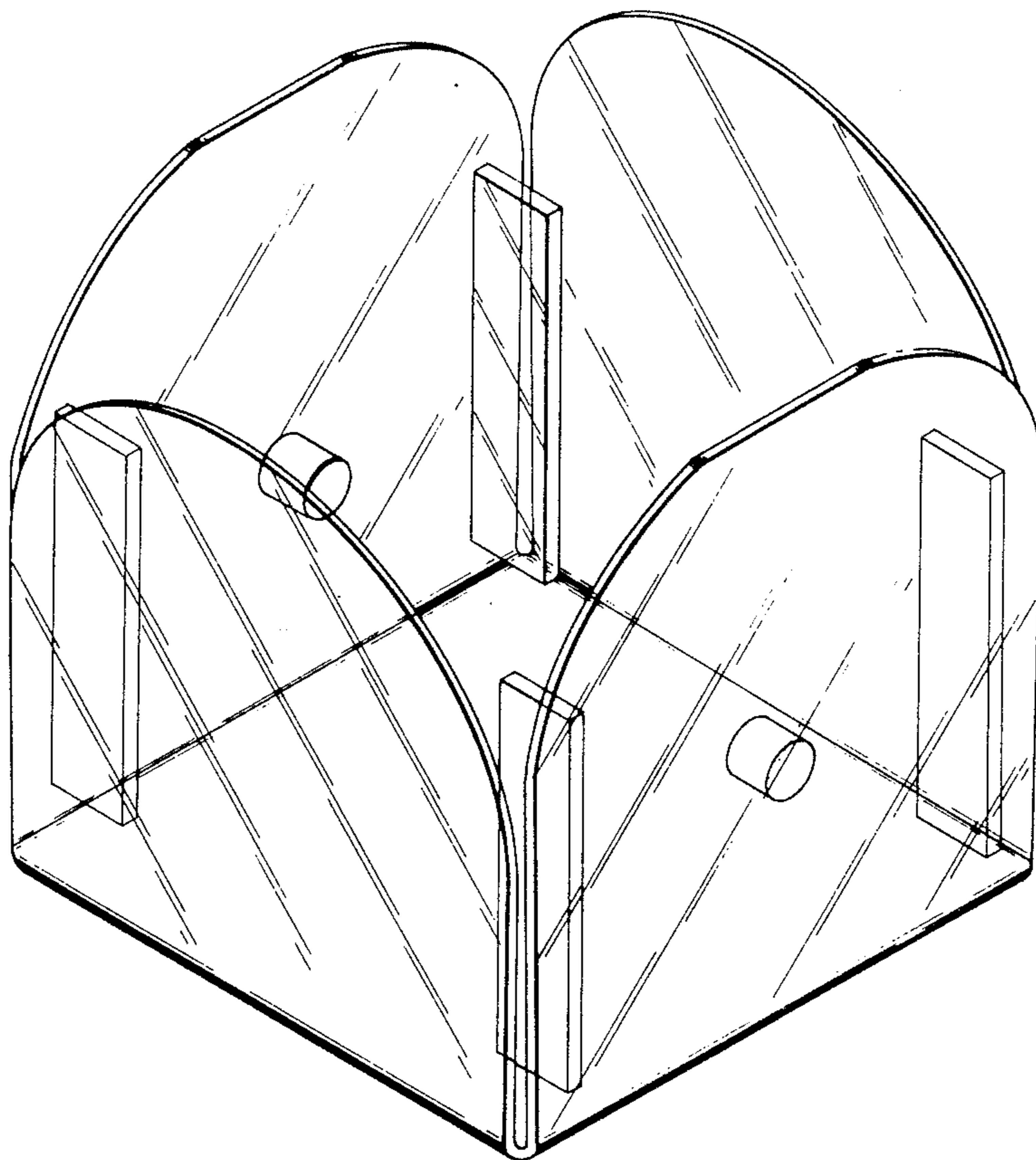


FIG. 1.

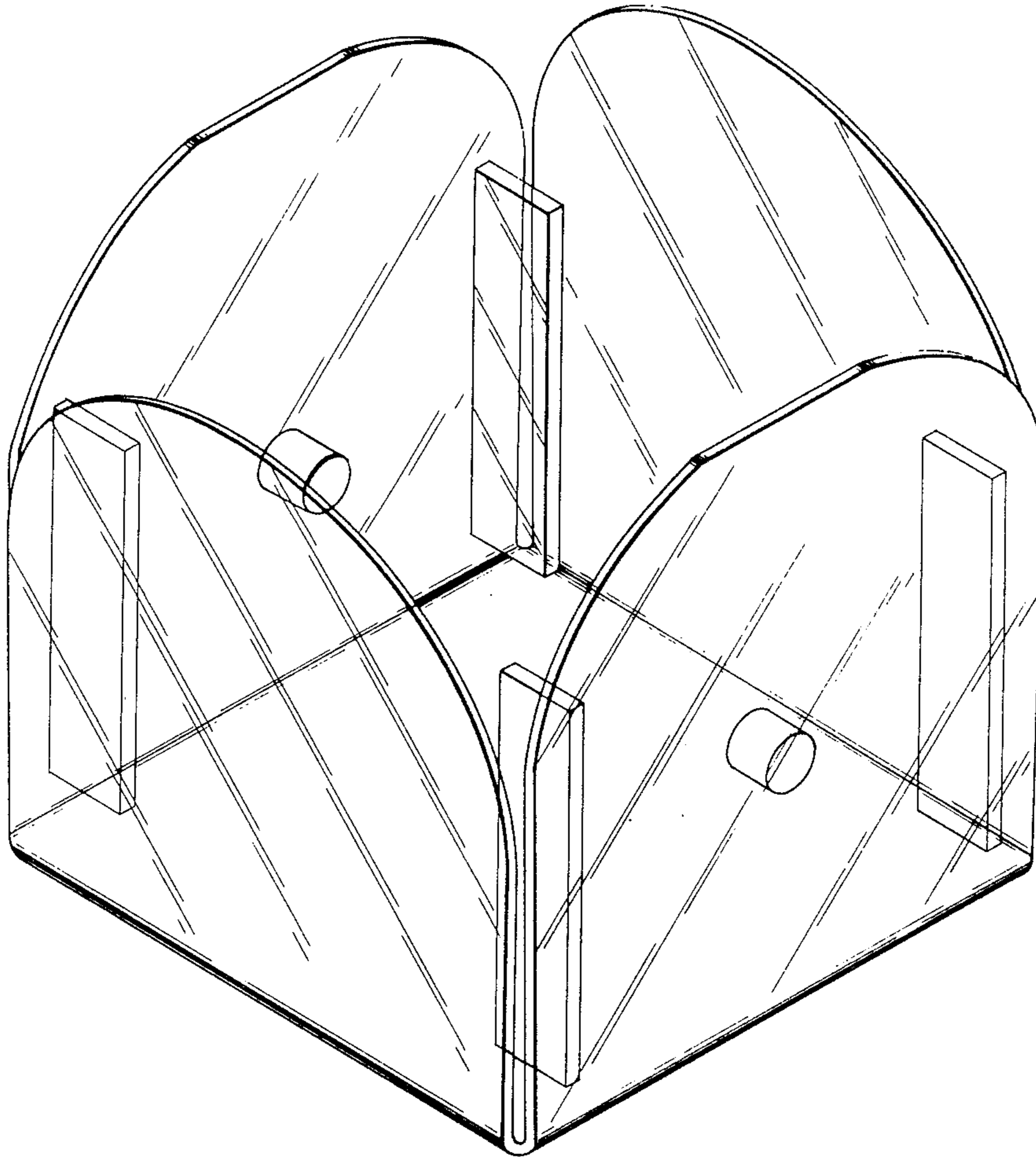


FIG. 2.

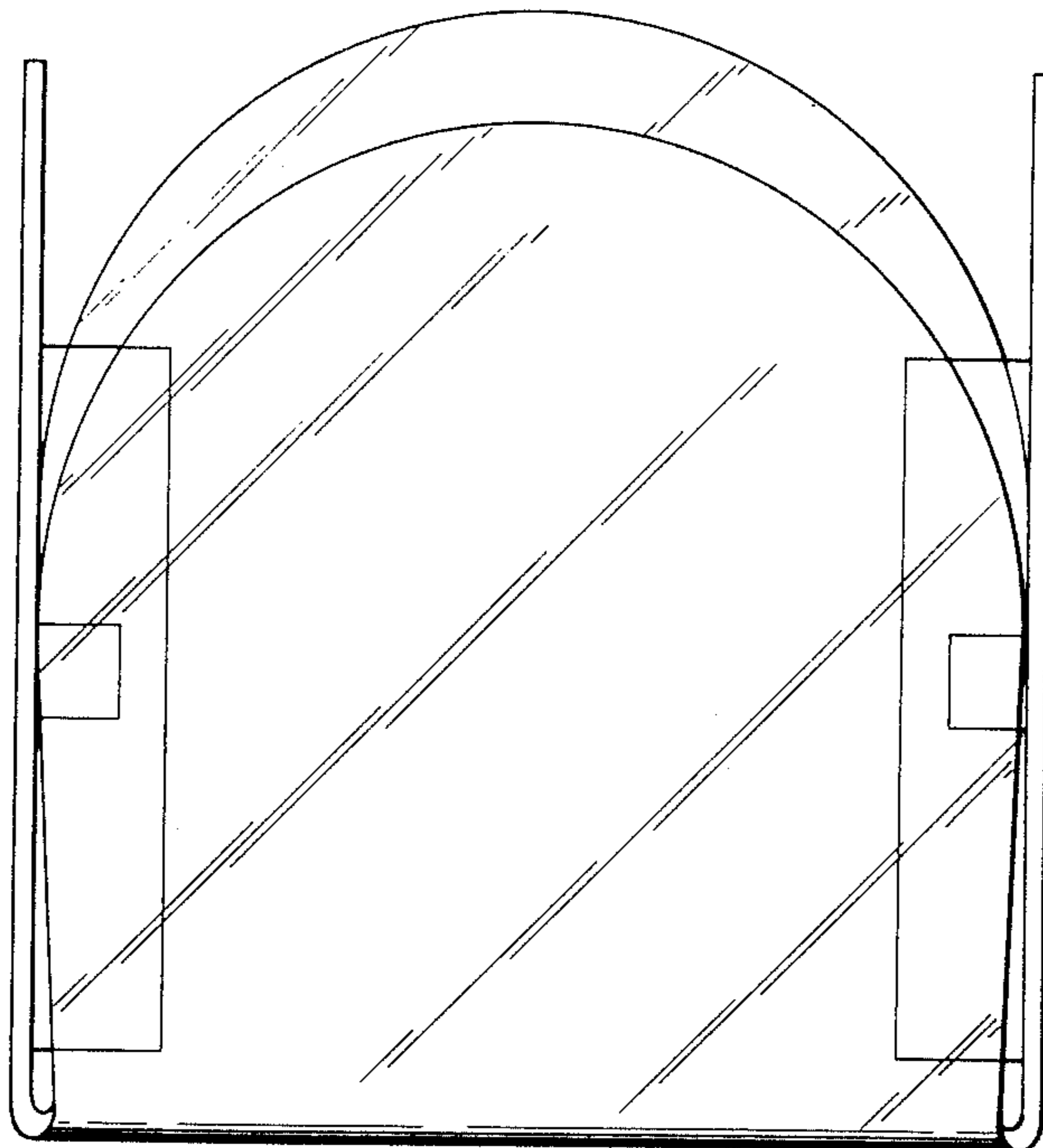


FIG. 3.

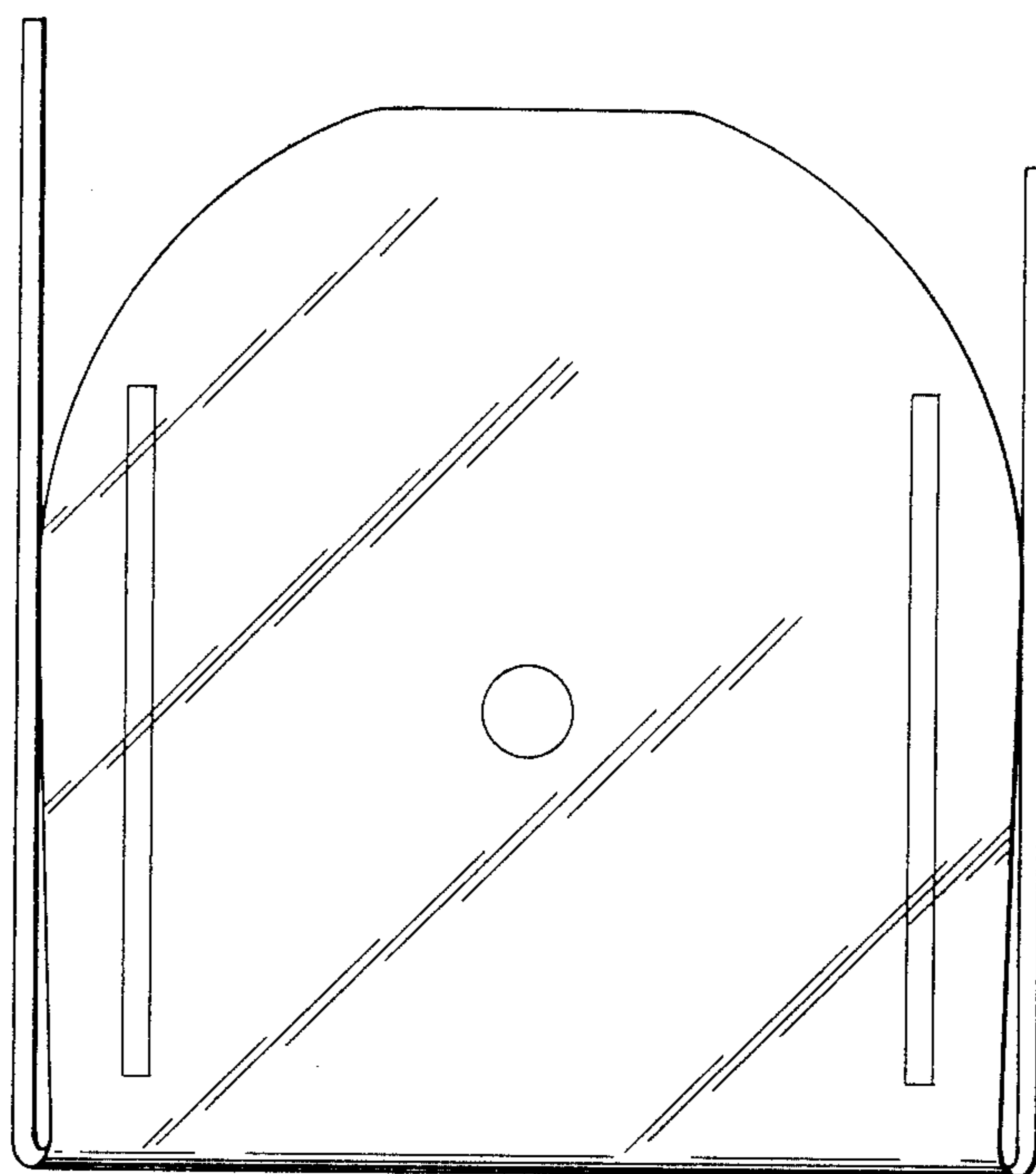


FIG. 4.

